

High Frequency Ceramic Solutions

5.5 GHz Low Pass Filter for WiFi, WLAN Applications

P/N 5515LP15A730

Detail Specification: 10/21/2016

Page 1 of 3

Not exactly what you are looking for and want to see our other filters? Go to: www.johansontechnology.com/integrated-passives

General Specifications

Part Number	5515LP15A730
Frequency Range	5150 - 5875
Operating Temp. Range	-40 to +105 °C
Recommended Storage Conditions for uninstalled product still on T&R	+5 to +35 °C, Humidity 45-75%RH 18 months max.
Qty/Reel (pcs)	4,000



Electrical Specifications

Operating Temp	-40C to +85°C	+85C to +105°C
Insertion Loss @ BW (dB)	0.45 typ. (0.60 dB max.)	0.66 typ. (0.70 dB max.)
Attenuation 1 (dB)	36 typ. (25dB min) @ 2Fo (10.3-11.75GHz)	36 typ. (25dB min) @ 2Fo (10.3-11.75GHz)
Attenuation 2 (dB)	23 typ. (20dB ref. @ 3Fo (15.45-17.75GHz)	23 typ. (20dB ref. @ 3Fo (15.45-17.75GHz)
VSWR	1.24 typ. (2.0 max.)	1.23 typ. (2.0 max.)
Power Capacity	2W max. (CW)	2W max. (CW)

Mechanical Dimensions

	In	mm
L	0.079 ± 0.004	2.00 ± 0.10
W	0.049 ± 0.004	1.25 ± 0.10
T	0.033 ± 0.004	0.85 ± 0.10
a	0.012 ± 0.004	0.30 ± 0.10
b	0.008 +.004/-0.006	0.20 +0.1/-0.15
c	0.012 ± 0.004	0.30 ± 0.10
g	0.014 ± 0.004	0.35 ± 0.10
p	0.026 ± 0.002	0.65 ± 0.05

Terminal Configuration

No.	Function
1	GND
2	NC
3	GND
4	I/O
5	GND
6	NC
7	GND
8	I/O

Mounting Considerations

Solder Resist
 Land
 RF GND Vias Through-hole (∅0.3)

* Trace must be designed to a 50Ω characteristic impedance based on PCB material and thickness. Grounded CPWG style trace recommended.

Want the layout file or need us to revise your layout to make sure is correct? Send us a message at: www.johansontechnology.com/ask-a-question

High Frequency Ceramic Solutions

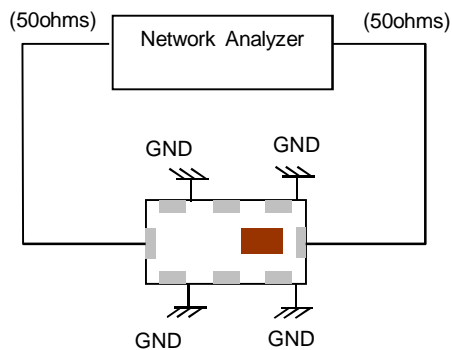
5.5 GHz Low Pass Filter for WiFi, WLAN Applications

P/N 5515LP15A730

Detail Specification: 10/21/2016

Page 2 of 3

Measuring Diagram

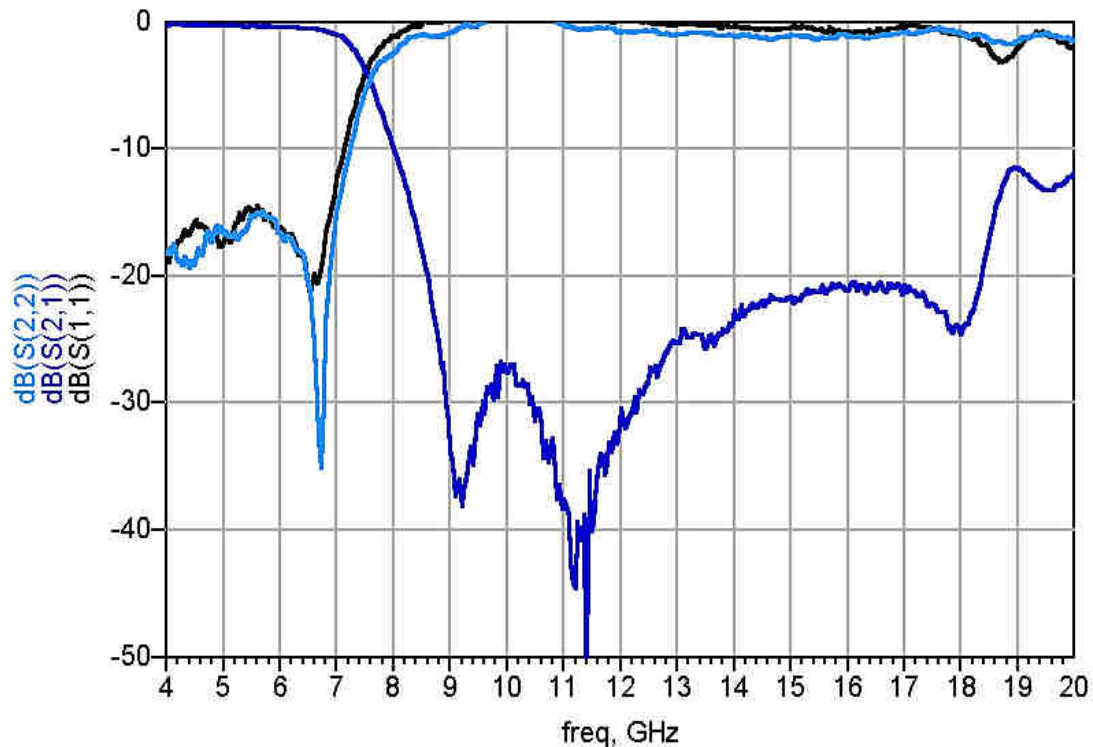


Click here Order the SMA-ready Evaluation Board p/n 900LP15B0063-EB1SMA:
www.johansontechnology.com/request-a-

Want the layout file of this? Send us a message at:
www.johansontechnology.com/ask-a-question

Let us help with your filter (or Johanson antenna) layout for best performance and send us a message by clicking on the link above

Typical Electrical Performance (T=25°C)



Johanson Technology, Inc. reserves the right to make design changes without notice.

All sales are subject to Johanson Technology, Inc. terms and conditions.



www.johansontechnology.com

4001 Calle Tecate • Camarillo, CA 93012 • TEL 805.389.1166 FAX 805.389.1821

Ver. 1.0

2016 Johanson Technology, Inc. All Rights Reserved

High Frequency Ceramic Solutions

5.5 GHz Low Pass Filter for WiFi, WLAN Applications

P/N 5515LP15A730

Detail Specification: 10/21/2016

Page 3 of 3

Part Number Explanation

P/N Suffix	Packing Style		Suffix = S	5515LP15A730S
		Bulk	Suffix = T	5515LP15A730E (Reel Size: 4000pcs)
		T & R		
	50Ω SMA Connector Eval Board			5515LP15A730-EB-SMA (orderable p/n)

Packaging information

www.johansontechnology.com/tape-reel-packaging

Soldering Information

www.johansontechnology.com/typical-soldering-profile.html

RoHS Compliance

www.johansontechnology.com/rohs-compliance

MSL Info

www.johansontechnology.com/msl-rating

To Download Measured S-parameters for Evaluation and Simulation:

www.johansontechnology.com/low-pass-filters

For layout review, s-params, etc., please contact our Applications Team at:

www.johansontechnology.com/ask-a-question

Mini SMD Chip Antennas at:

www.johansontechnology.com/antennas

Johanson Technology, Inc. reserves the right to make design changes without notice.

All sales are subject to Johanson Technology, Inc. terms and conditions.



4001 Calle Tecate • Camarillo, CA 93012 • TEL 805.389.1166 FAX 805.389.1821

Ver. 1.0

2016 Johanson Technology, Inc. All Rights Reserved

www.johansontechnology.com