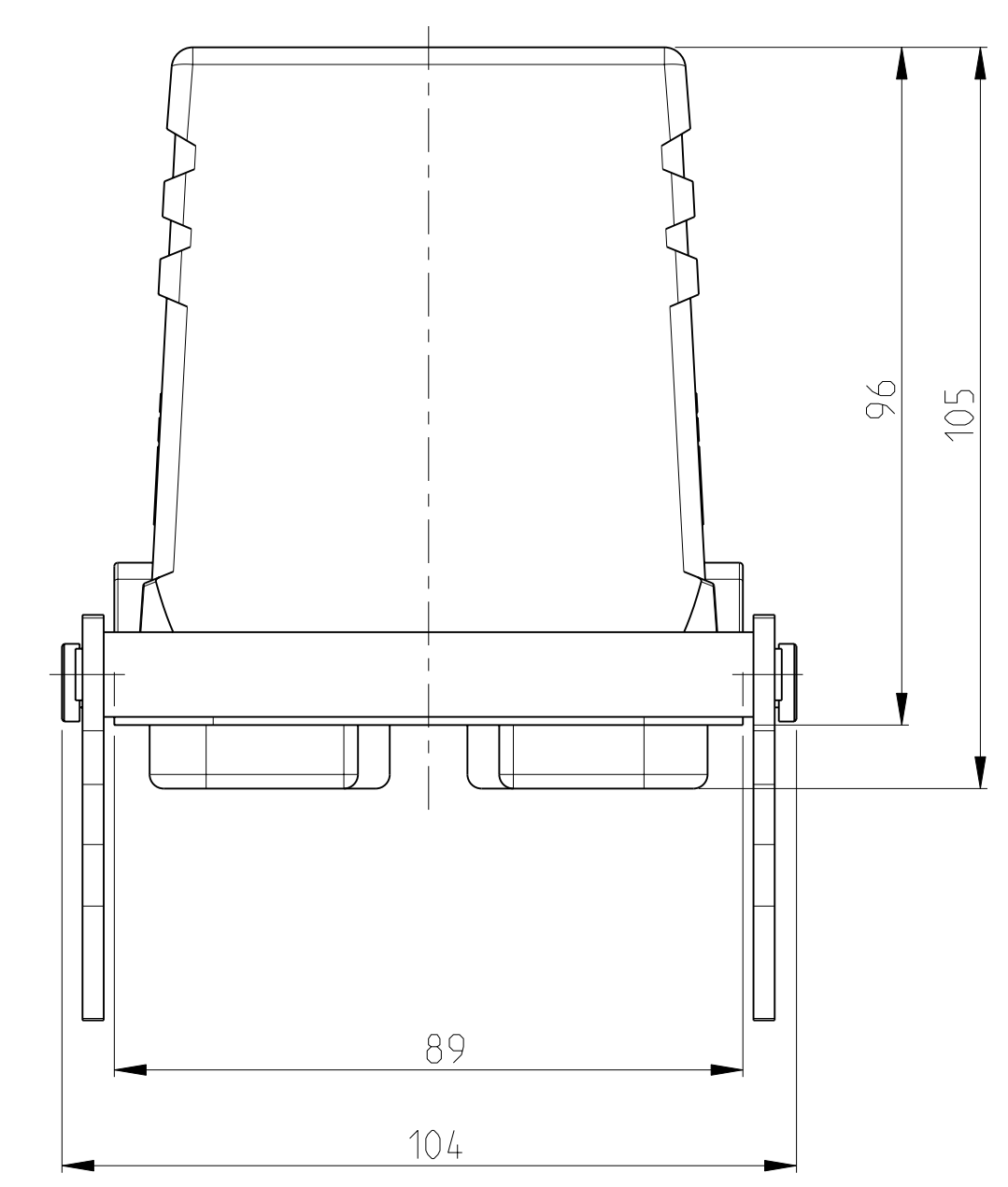
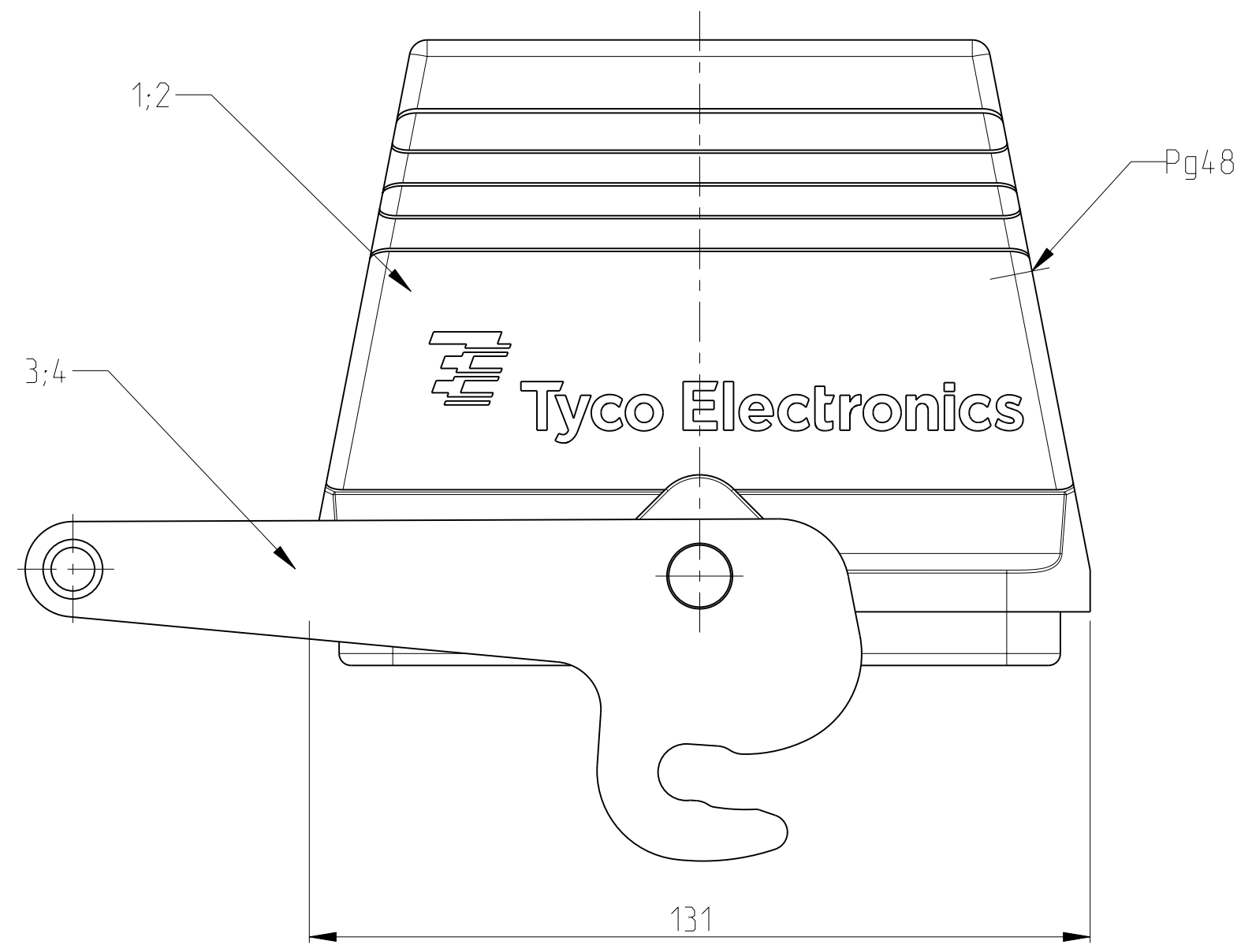


THIS DRAWING IS UNPUBLISHED. RELEASED FOR PUBLICATION 2006
 © COPYRIGHT 2006 BY TYCO ELECTRONICS CORPORATION. ALL RIGHTS RESERVED.

LOC		DIST		REVISIONS			
P	LTR	DESCRIPTION	DATE	DWN	APVD		
A2		DRAWING reworked	20AUG2007	SR	SM		
A4		NEW PRO/E DRAWING ECR-07-021681	15JAN2008	SR	ST		



NOTES

- 1 MATERIAL: HOUSING - ALUMINIUM DIECASTING ALLOY
- 2 SURFACE: VARNISH BLACK
- GREY
- 3 PACKAGING: QUANTITY 3 PIECES IN A BOX
- 4 VARNISHING INSIDE HOUSING NOT REQUIRED

2-3	1-3	DESCRIPTION	MATERIAL	SURFACE	COLOR	ITEM
2	2	FIXING RIVET	STAINLESS STEEL	BLANK		4
1	1	CENTRAL CLIP	STAINLESS STEEL	BLANK		3
1		HOOD HB	ALUMINIUM/ALU	ALUMINIUM OXID	BLACK	2
	1	HOOD HB	ALUMINIUM/ALU		GREY	1

<small>THIS DRAWING IS A CONTROLLED DOCUMENT FOR TYCO ELECTRONICS CORPORATION IT IS SUBJECT TO CHANGE AND THE CONTROLLING ENGINEERING ORGANIZATION SHOULD BE CONTACTED FOR THE LATEST REVISION.</small>		DWN R.SCHNEIDER 17AUG2007 CHK SCHNURPFEL 17AUG2007 APVD -	tyco Electronics tyco Electronics AMP GmbH 53819 Neunkirchen (Germany)
DIMENSIONS: mm 	TOLERANCES UNLESS OTHERWISE SPECIFIED: 0 PLC ±- 1 PLC ±- 2 PLC ±- 3 PLC ±- 4 PLC ±- ANGLES ±1° FINISH	NAME HOOD PRODUCT SPEC - APPLICATION SPEC - WEIGHT - CUSTOMER DRAWING	HOOD HB-Z.48.STS-ZB.1.48.G SIZE A2 CAGE CODE 00779 DRAWING NO 1102236 RESTRICTED TO - SCALE 1:1 SHEET 1 OF 1 REV A4