

THIS DRAWING IS UNPUBLISHED. RELEASED FOR PUBLICATION  
 © COPYRIGHT - By - ALL RIGHTS RESERVED.

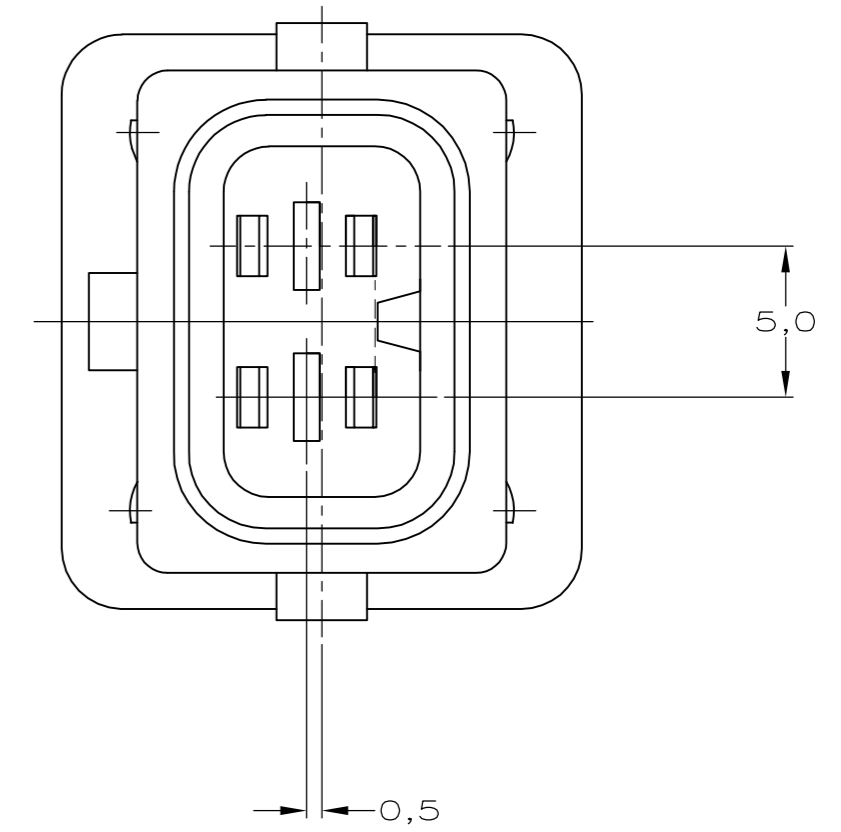
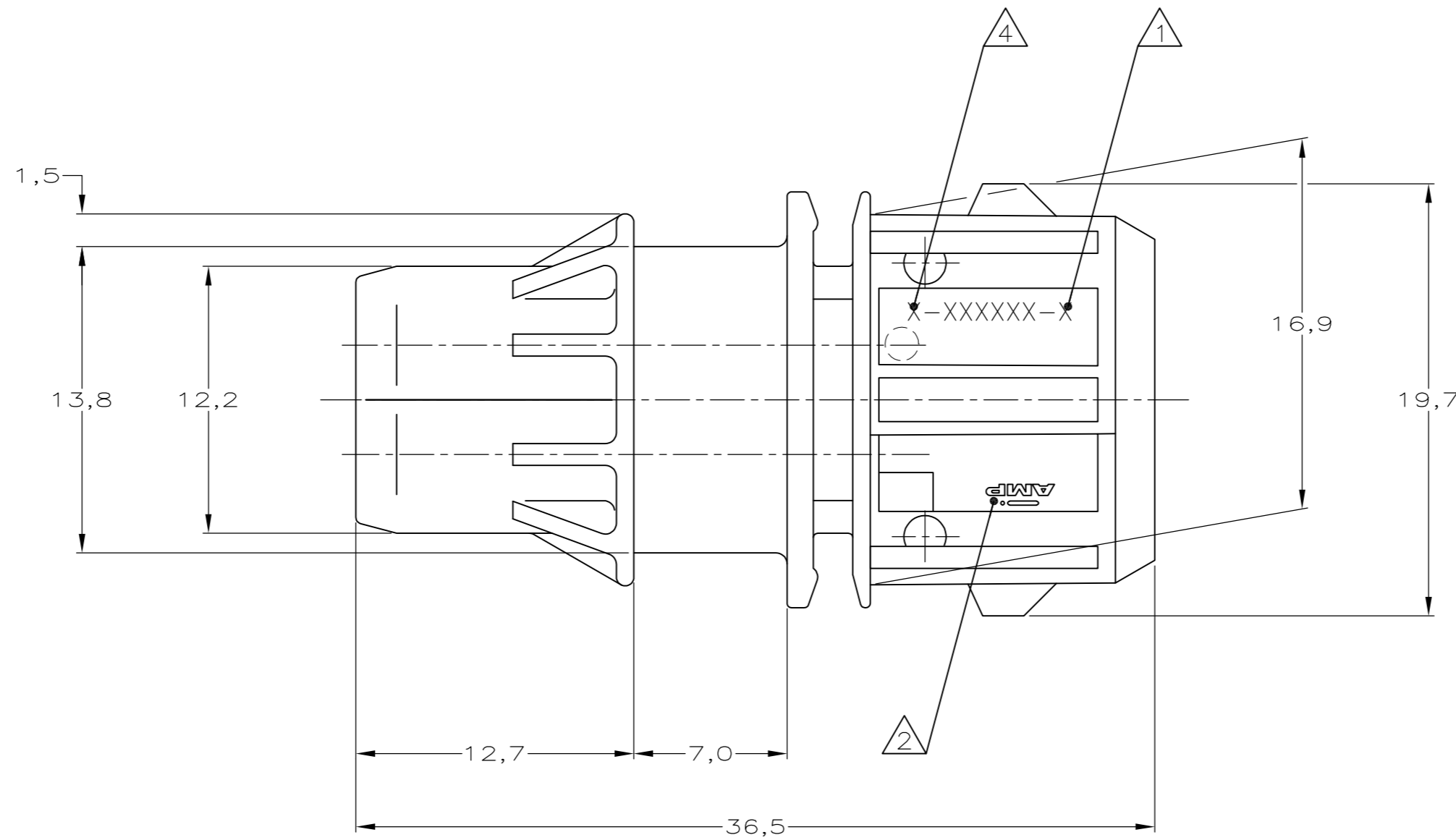
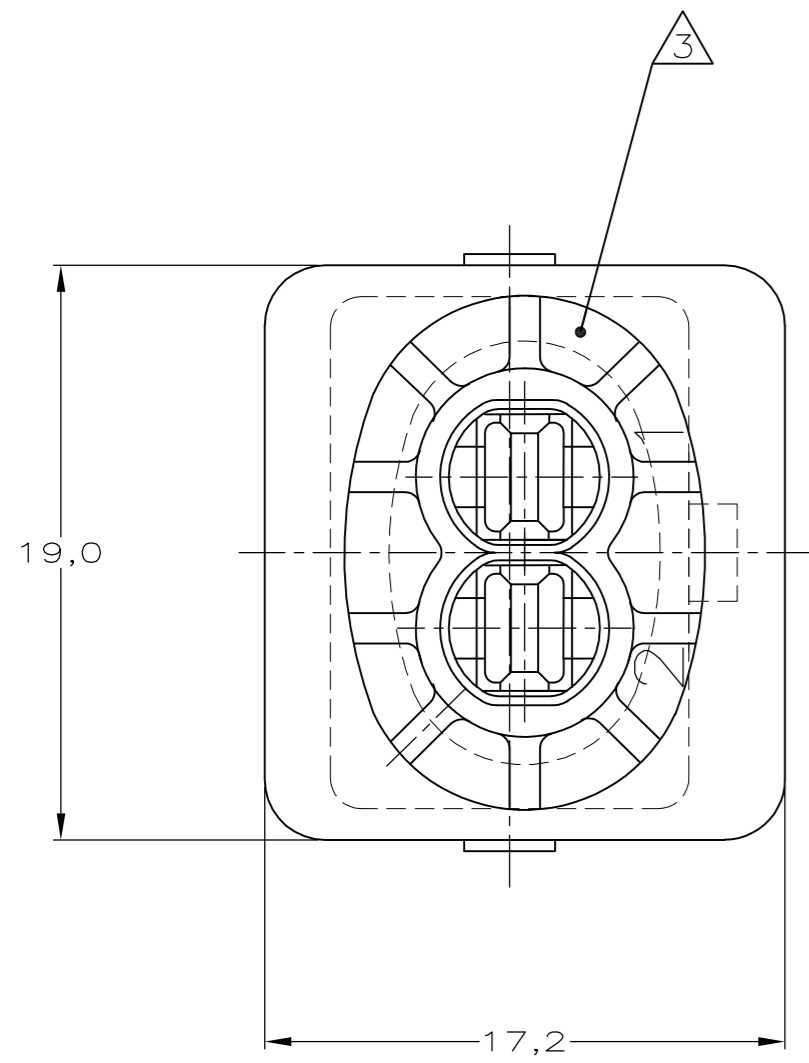
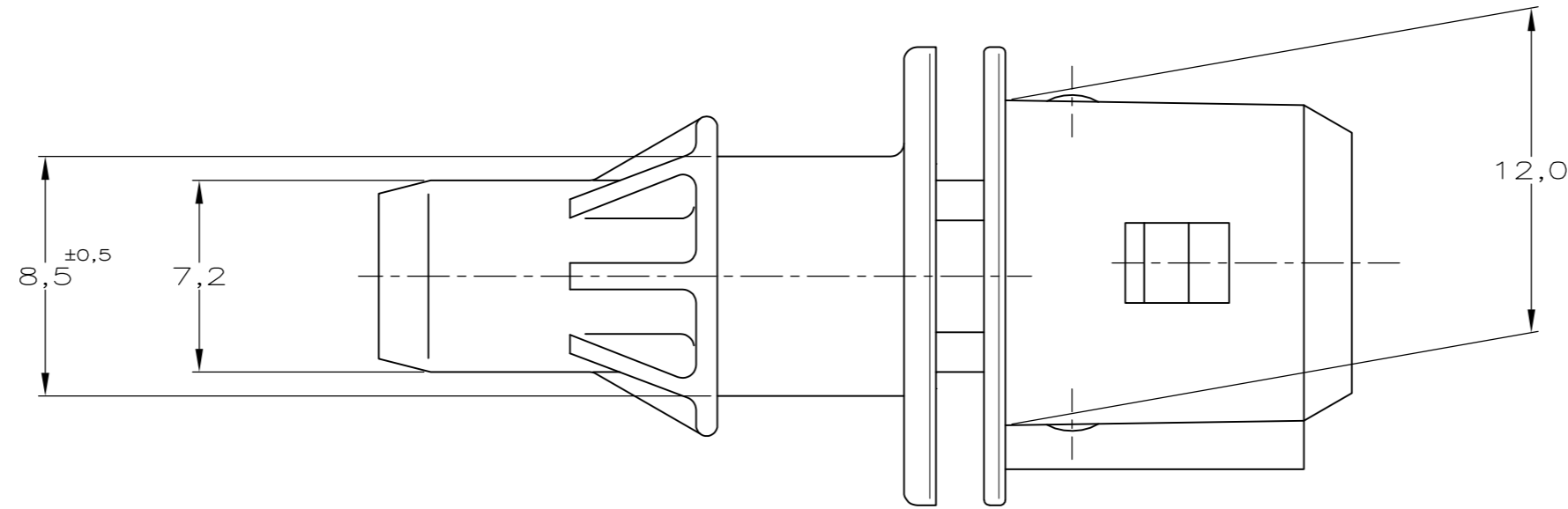
METRIC

LOC -  
 DIST -

REVISIONS			DATE	DWN	APVD
P	LTR	DESCRIPTION			
E1		REVISED PER ECO-11-005150	19MAR11	RK	HMR

NOTES:

- ▲ PARTNUMBER IDENTIFICATION.
- ▲ AMP TRADE MARK.
- ▲ CAVITY IDENTIFICATION.
- ▲ POCKET IDENTIFICATION.
- 5 FITS TO HOUSING JR TIMER 282189-1 AND 827551-1.



THIS DRAWING IS A CONTROLLED DOCUMENT.

DIMENSIONS:	TOLERANCES UNLESS OTHERWISE SPECIFIED:
mm	0 PLC ± -
	1 PLC ± -
	2 PLC ± -
	3 PLC ± -
	4 PLC ± -
	ANGLES ± -
MATERIAL	FINISH
-	-

DWN	-
CHK	D.KESSLER 5 SEP 00
APVD	M. v DRIEL 5 SEP 00
PRODUCT SPEC	M. v DRIEL
APPLICATION SPEC	-
WEIGHT	-
CUSTOMER DRAWING	-

BLACK FINISH	PBT MATERIAL	106462-1 PARTNUMBER	
<b>TE</b> TE Connectivity			
2 POS. 2.8mm TAB HOUSING			
SIZE	CAGE CODE	DRAWING NO	RESTRICTED TO
A2	00779	C=106462	-
SCALE	SHEET	REV	
-	1 of 1	E1	