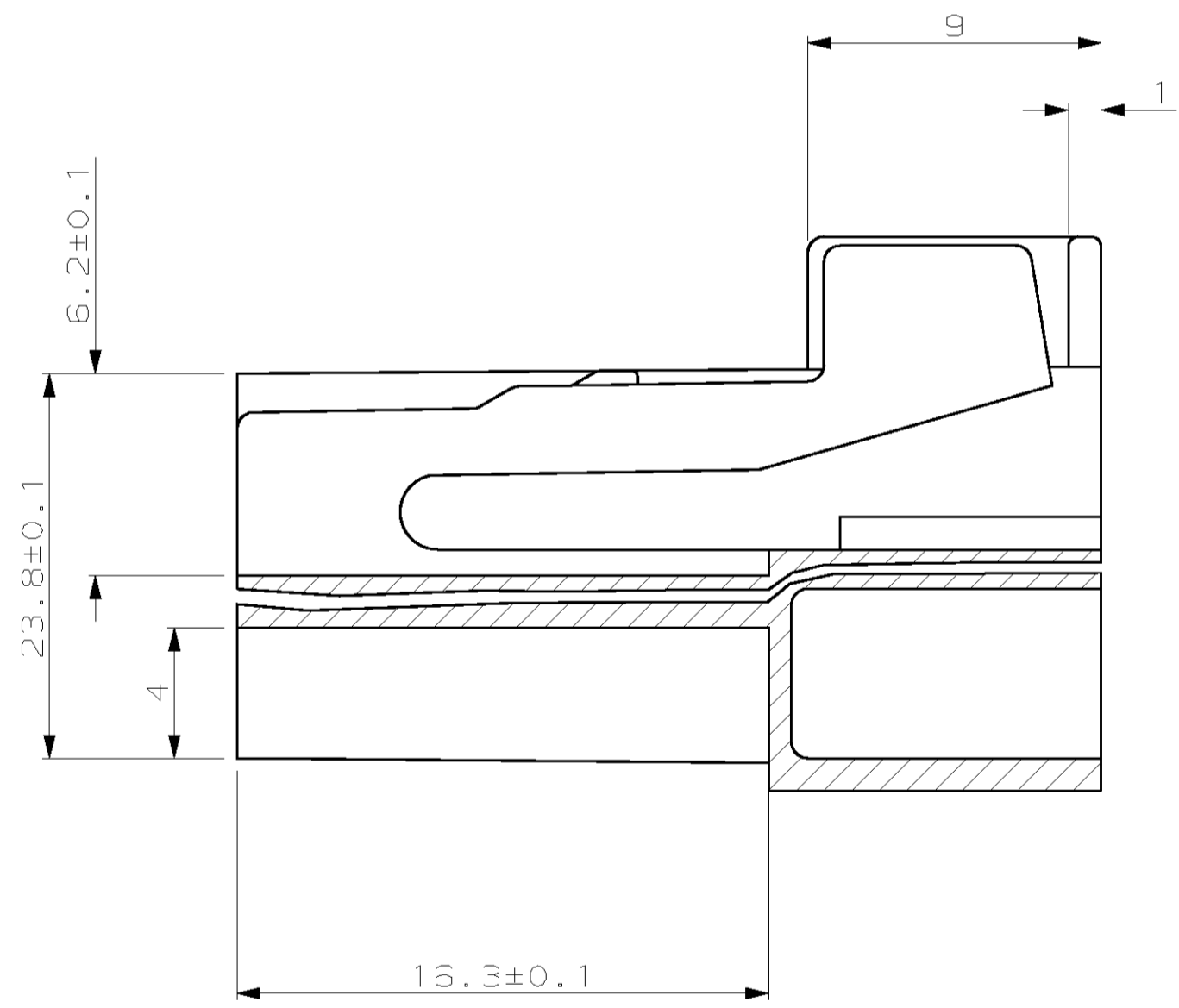
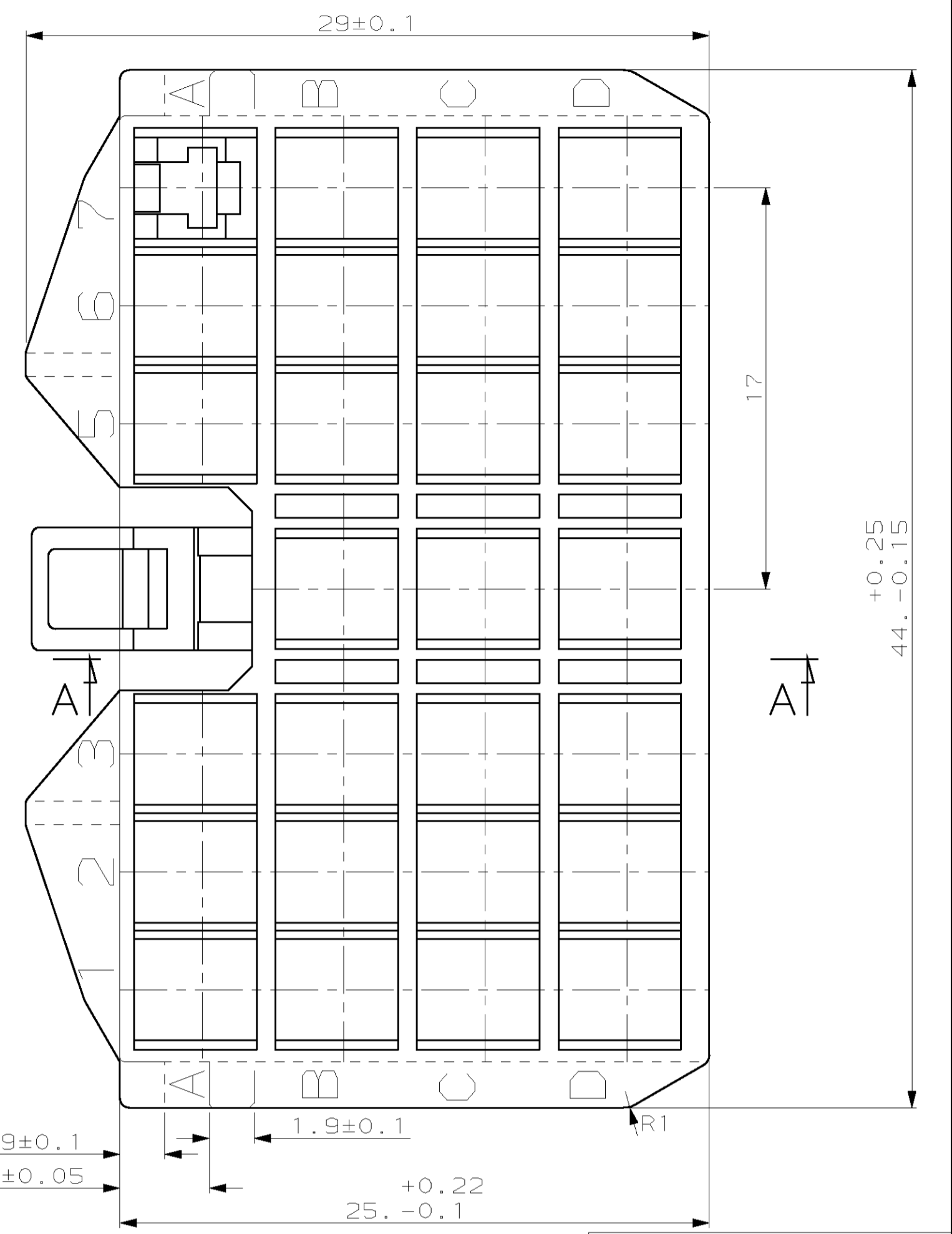
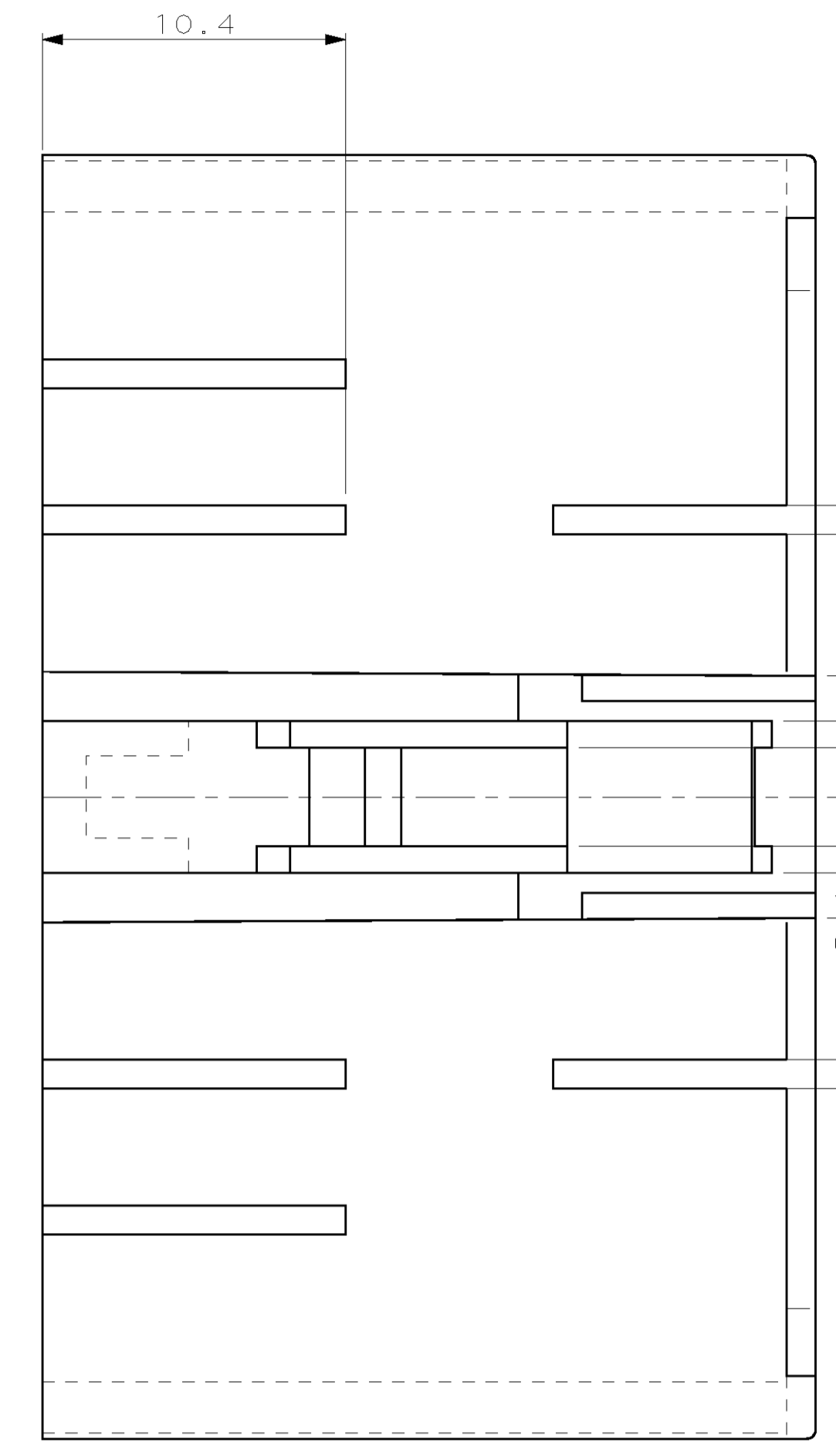
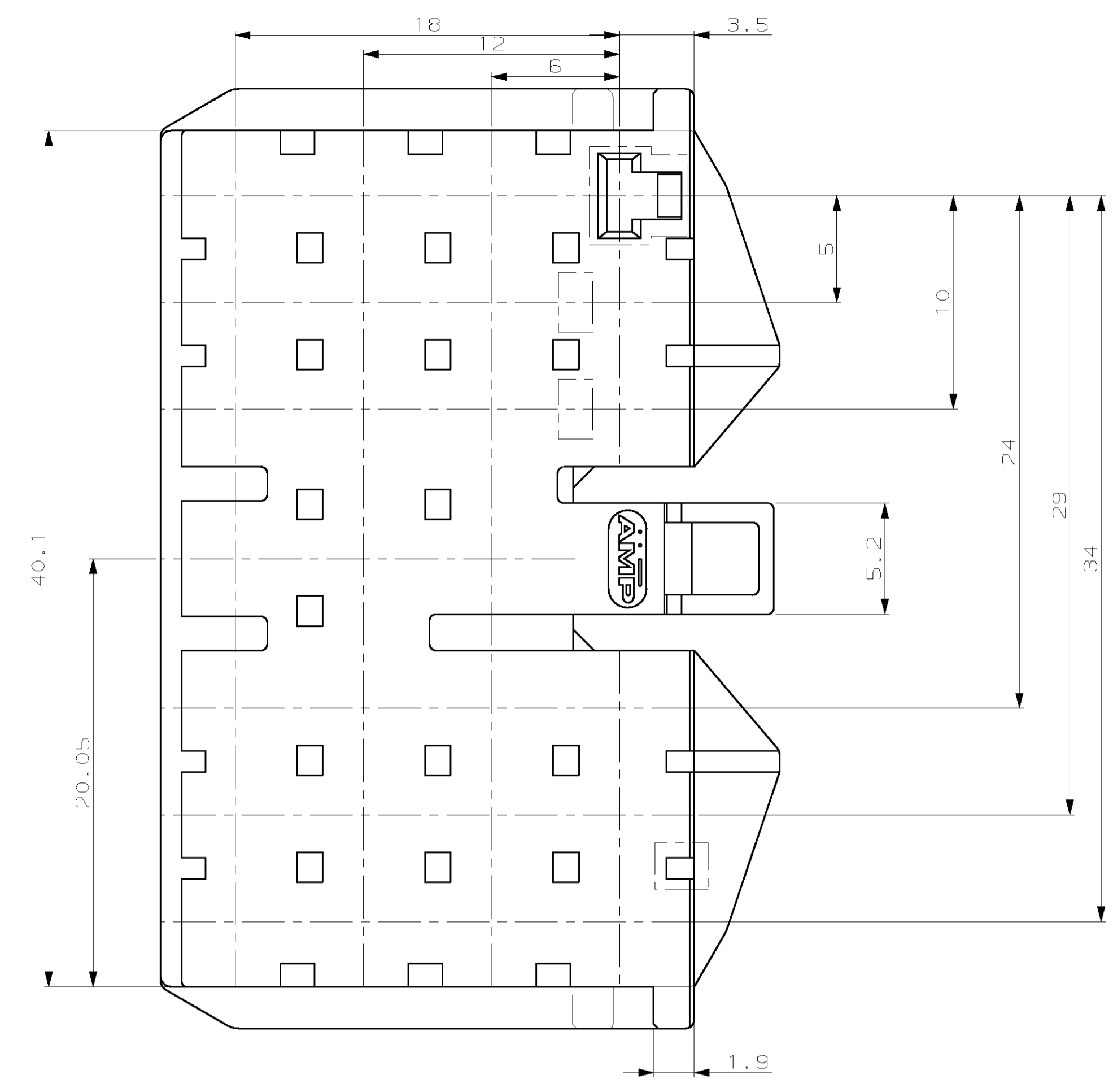
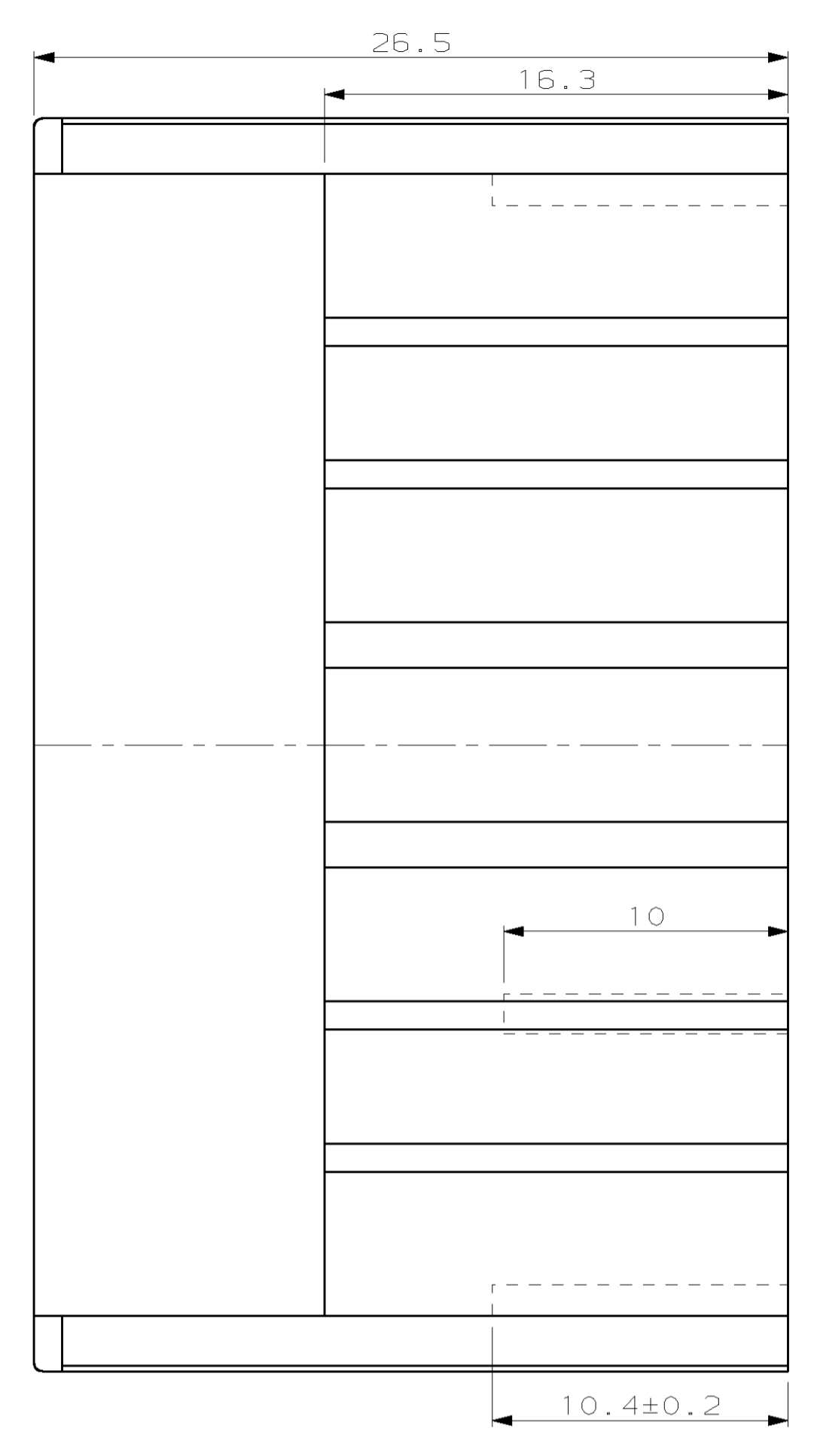
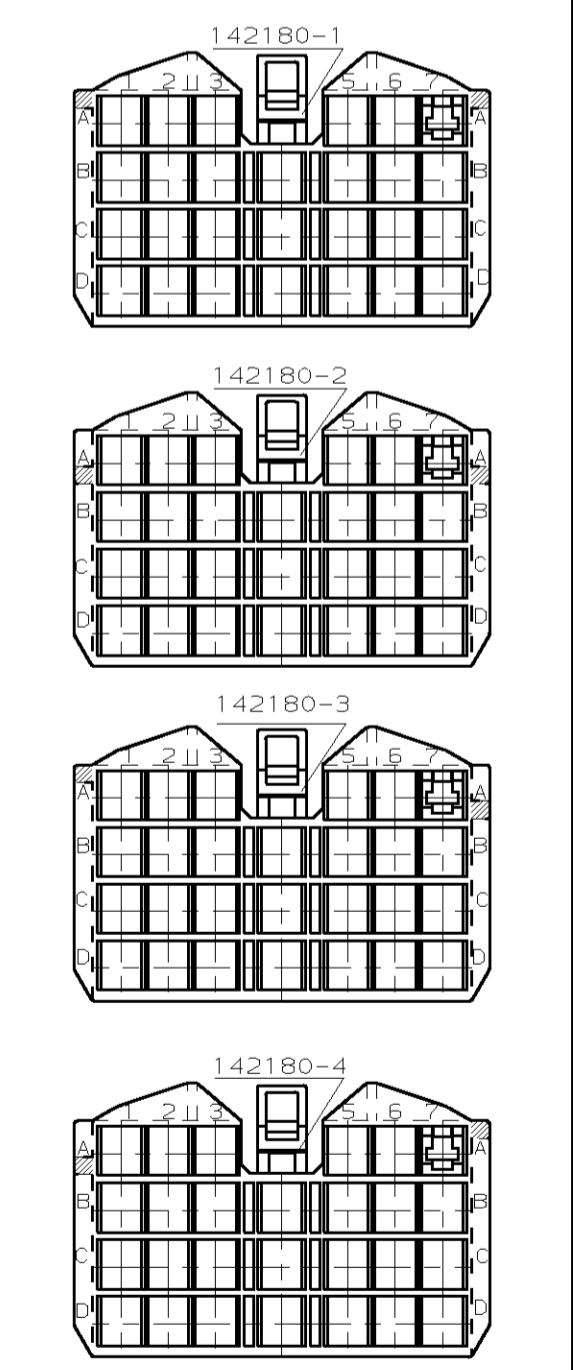


REVISONS		DATE	DMN	APPR
F	REV			
F	00	25-NOV-04	RP	JPP
REDESSINE EN D. A. O.				



SECTION A-A

POLARIZATION TABLE (VIEW F)  
(tableau de détection)



I. R. P.	COLOR (couleur)	P.N.
G	GRAY (gris)	-4
G	BROWN (marron)	-3
G	BLACK (noir)	-2
G	(couleur ou blanc)	142180-1
	NATURAL OR WHITE	

THIS DRAWING IS A CONTROLLED DOCUMENT. CE PLAN EST UN DOCUMENT CONTROLE.		DWN/DESSINE Rein: PATIN 25-NOV-04		TYCO ELECTRONICS FRANCE SAS BP 39, 95301 CERGY-PONTOISE CEDEX	
DIMENSIONS: mm		CHK/VERIFIE JP PICAUD 25-NOV-04		MATERIAL MATIERE PA 6.6	
TOLERANCES UNLESS OTHERWISE SPECIFIED (SAUF NB DE DECIMALES): FRACTIONAL DECIMALS: ±0.2 DECIMALS: ±0.25 ANGLES: 45°		APPROVED J. DAHER 25-NOV-04		PRODUCT SPEC. PRODUCT SPEC. APPLICATION	
FINISH FINITION: -		APPLICATION SPEC. APPLICATION		SIZE: A1	
WEIGHT: -		WEIGHT: -		CAGE CODE: 00779	
CUSTOMER DRAWING/PLAN CLIENT		ANNUMENT POUR REFERENCE		SCALE: 1:1	
				SHEET 1 OF 1	
				REV F	