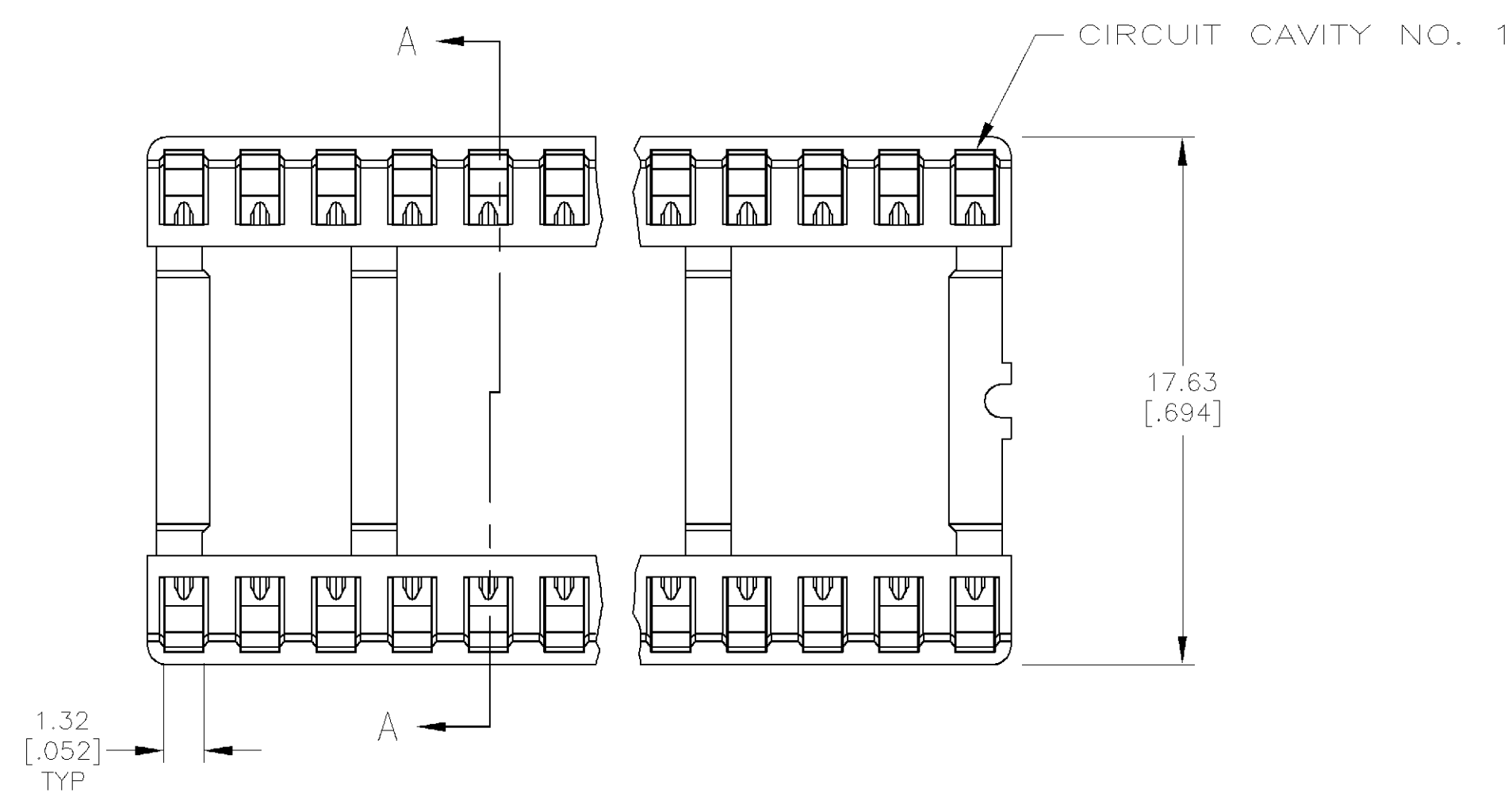
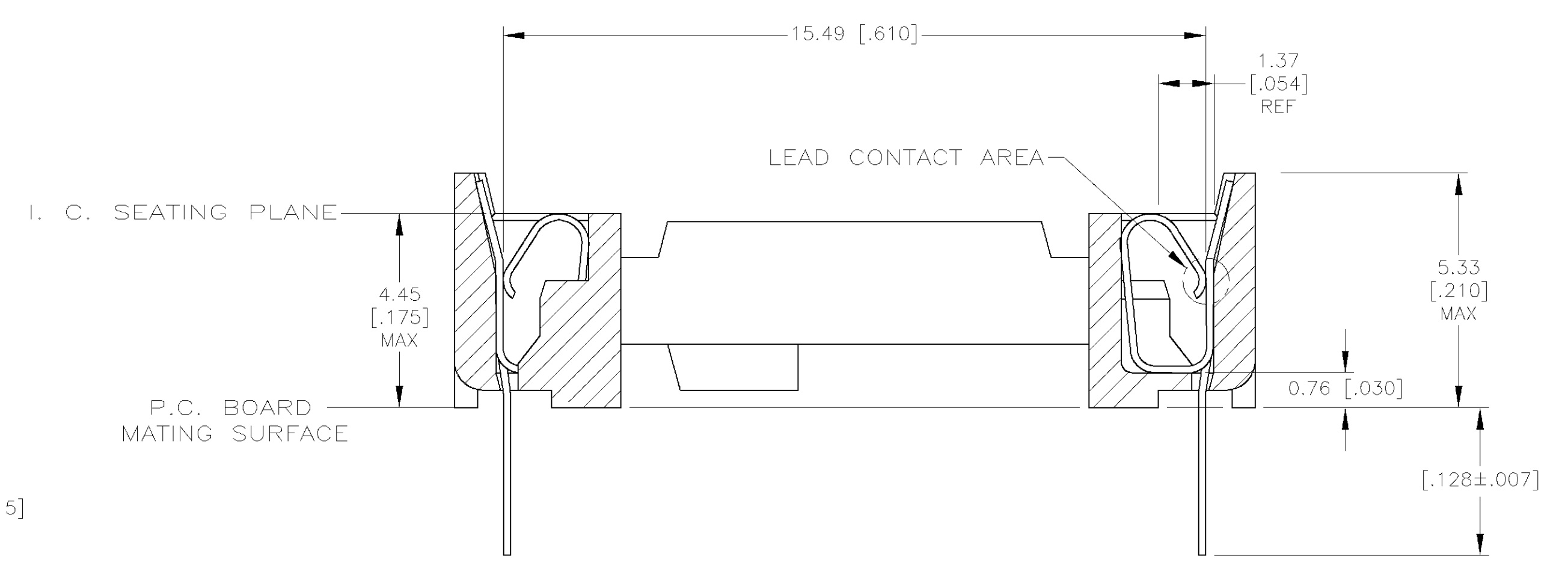
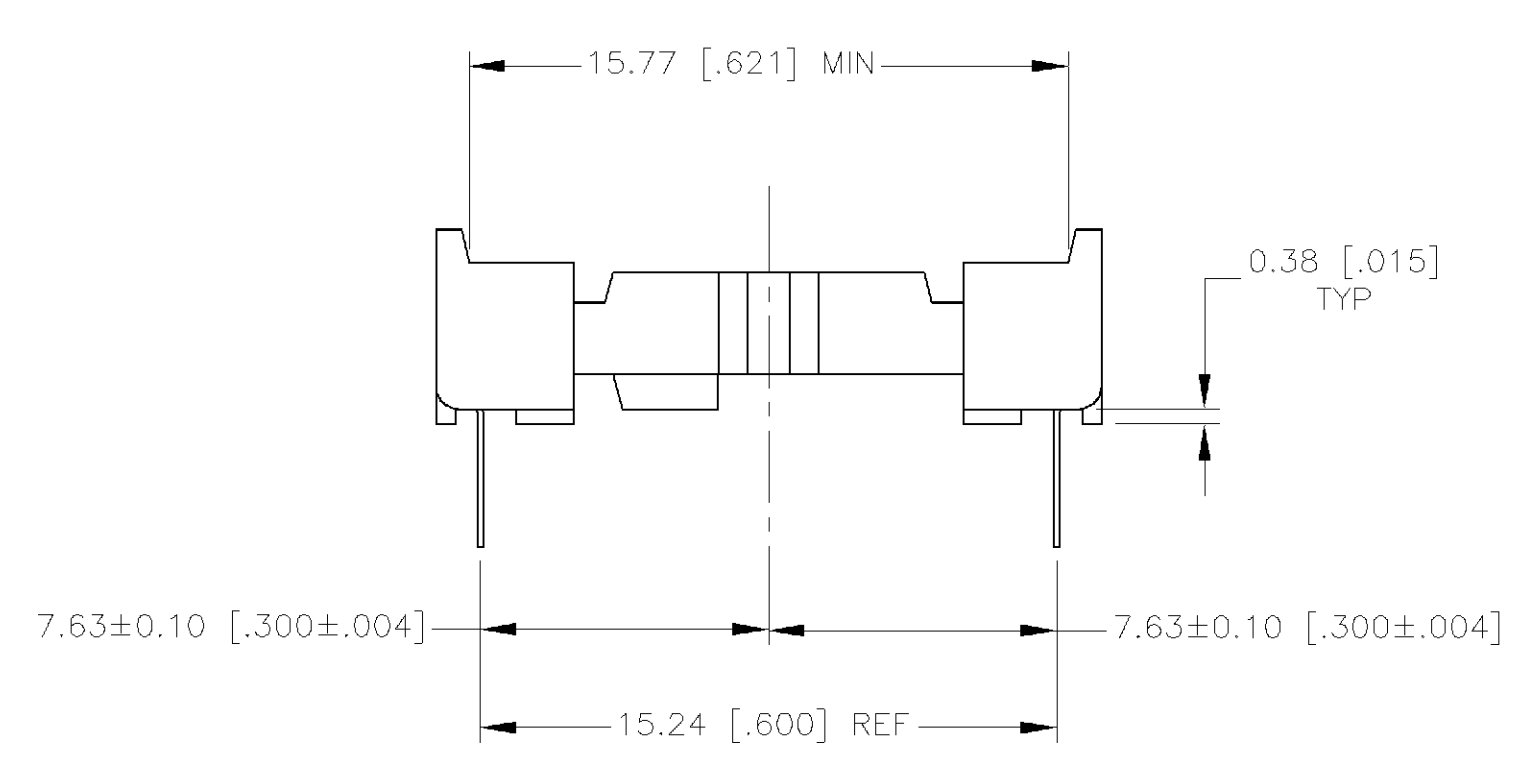
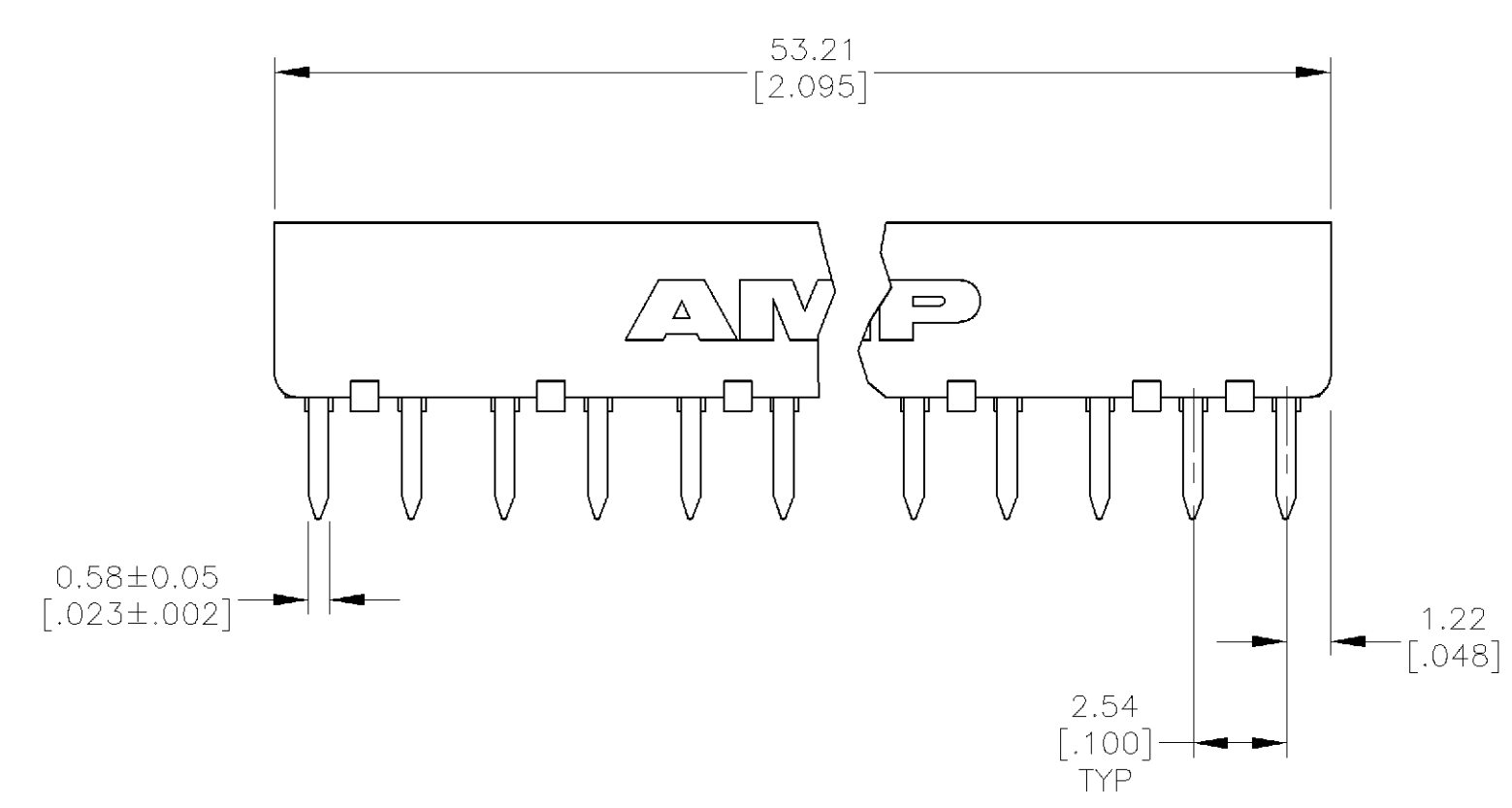


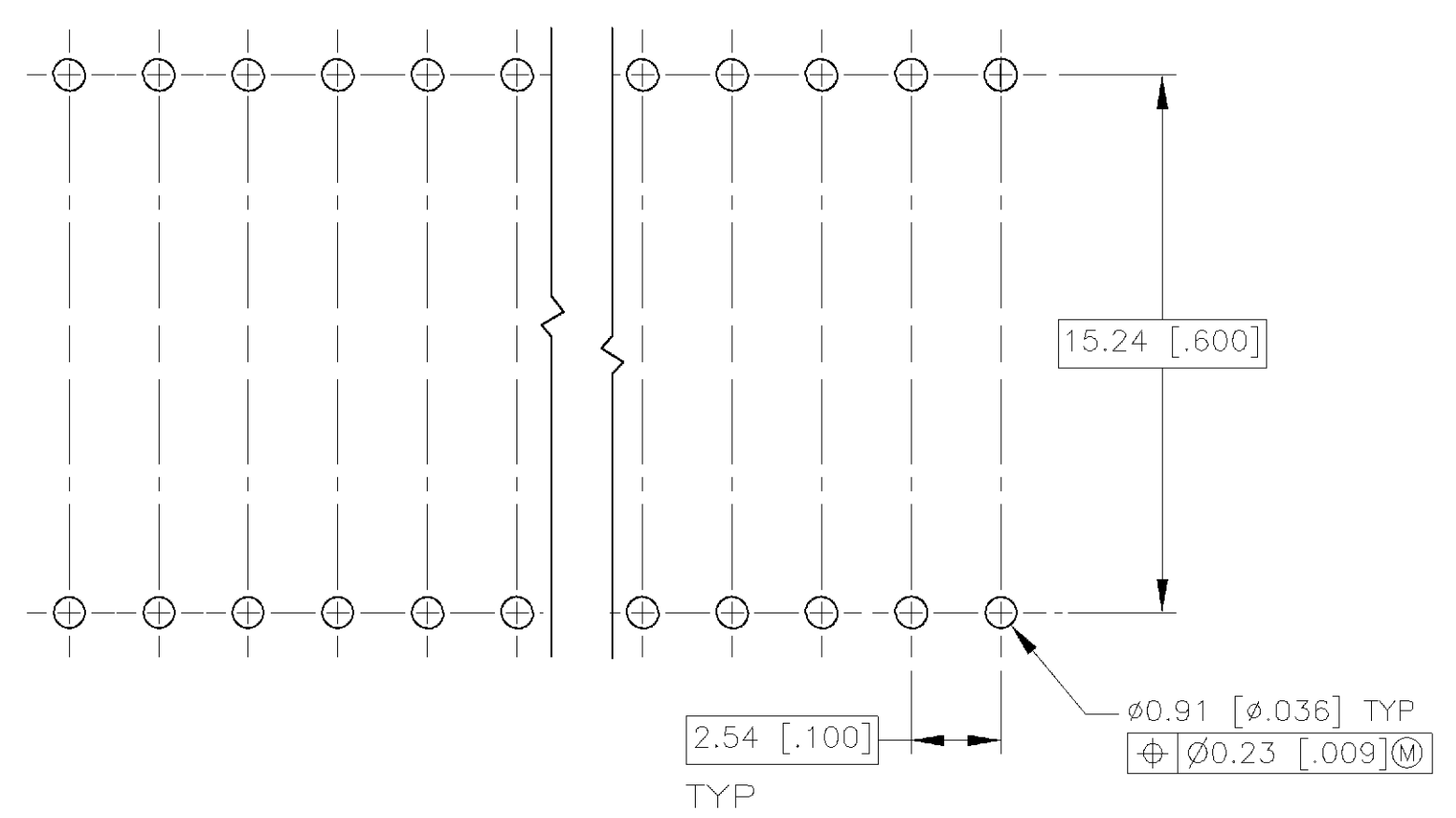
LOC		DIST		REVISIONS			
AD	0	F	LTR	DESCRIPTION	DATE	OWN	APVD
N	REV PER	OG3C-0104-01			19JUL01	RB	JO



1. RECEPTACLE ACCEPTS AN .008-.014 THK. I.C. LEAD.
2. MATERIAL: HOUSING—GLASS FILLED THERMOPLASTIC, 94V-0, BLACK
3. LOADED IN 22 INCH TUBES.
4. TWO 0.00076 [.000030] MIN THK GOLD STRIPES IN CONTACT AREA, TIN-LEAD (93-7) ON CONTACT LEGS, BALANCE OF CONTACT NICKEL PLATED.



SECTION A-A  
 ROTATED 90° CW  
 SCALE 10:1



OBsolete	CONTACT MATERIAL	HOUSING MATERIAL	PART NUMBER
TINNED	PHOS BRZ .006 THK	2	2-382374-5
TINNED	PHOS BRZ .006 THK	2	2-382374-3
4	BE CU .006 THK	2	2-382374-2
TINNED	BE CU .006 THK	2	2-382374-1

THIS DRAWING IS A CONTROLLED DOCUMENT.

DWY V. SHEPARD 6-7-88	AMP Tyco Electronics Corporation Harrisburg, PA 17105
CHK R. MILLER 6-7-88	NAME SOCKET ASSY, DIP, LADDER, 42 POS, DIPLOMATE DL
APVD J. LAMBERT 6-7-88	PRODUCT SPEC 108-1066
	APPLICATION SPEC 114-1049
MATERIAL -	FINISH -
	WEIGHT -
	SIZE A1
	CAGE CODE 00779
	DRAWING NO 382374
	RESTRICTED TO -
	CUSTOMER DRAWING
	SCALE 5:1
	SHEET 1 OF 1
	REV N