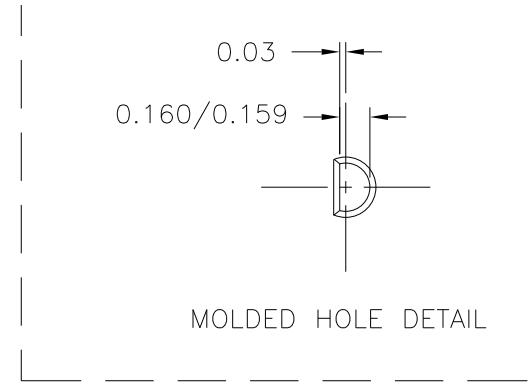
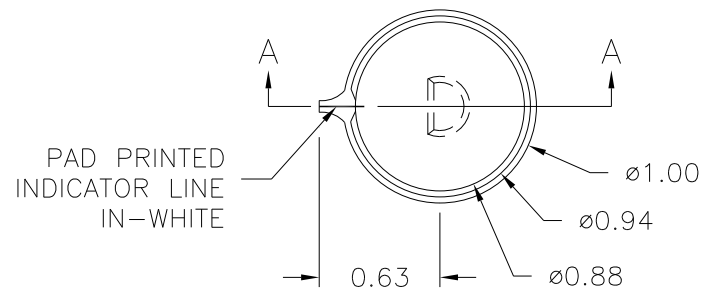


PART NAME: KNOB      SCALE: 1:1      DATE: 5/17/94      DR. BY HD

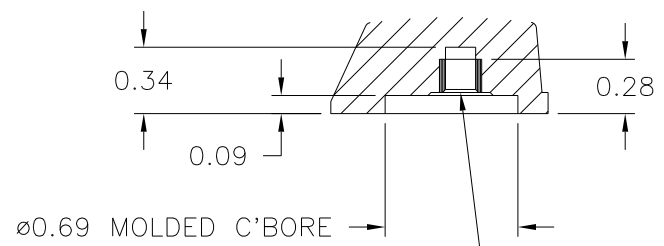
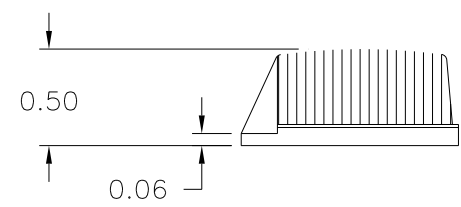
DAVIES MOLDING COMPANY  
CAROL STREAM, ILLINOIS 60188

P/N 1470AR  
BASE PART 1470-10  
SPRING I1125A

THIS DRAWING IS THE PROPERTY OF DAVIES MOLDING COMPANY, IS SUBMITTED SOLELY AS A DESIGN OR ENGINEERING PROJECT. WE ACCEPT NO RESPONSIBILITY WHATSOEVER FOR THE PRACTICAL APPLICATION OF THE PIECES MADE TO THIS DESIGN.



SECTION A-A



"D" SHPED SPRING I1125A  
MOUNTING TO FIT  $\phi 1/4$  SHAFT  
FLATTED TO 0.156.

MATERIAL: G.P. PHENOLIC (B11)  
COLOR: BLACK

TOLERANCES: UNLESS OTHERWISE SPECIFIED	DO NOT SCALE DRAWING				
DECIMALS: X.XXX $\pm$ .005 X.XX $\pm$ .015	MM: X.XX $\pm$ 0.15MM X.X $\pm$ 0.4MM	-	UPDATED/HAD TOOLBOX	ST	9/5/2000
FRACTIONS $\pm$ 1/64	ANG. $\pm$ 1°	CHANGES			