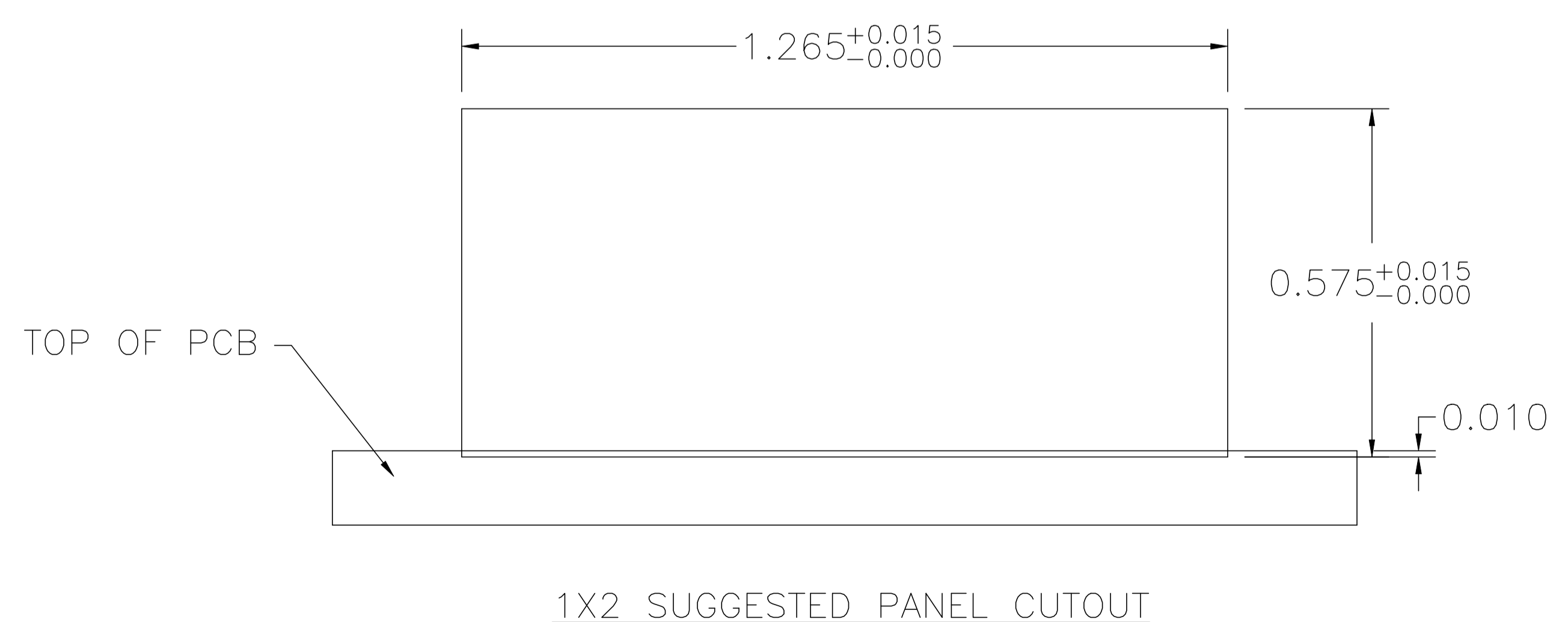
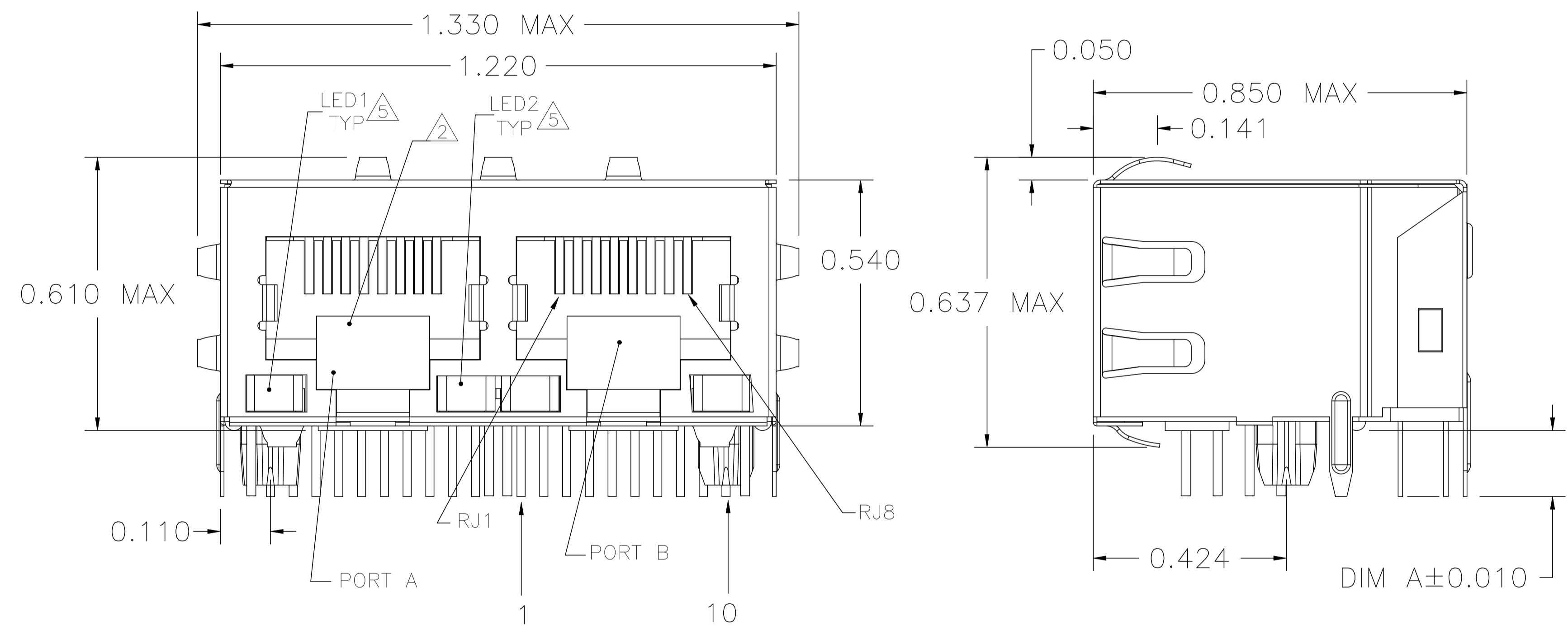
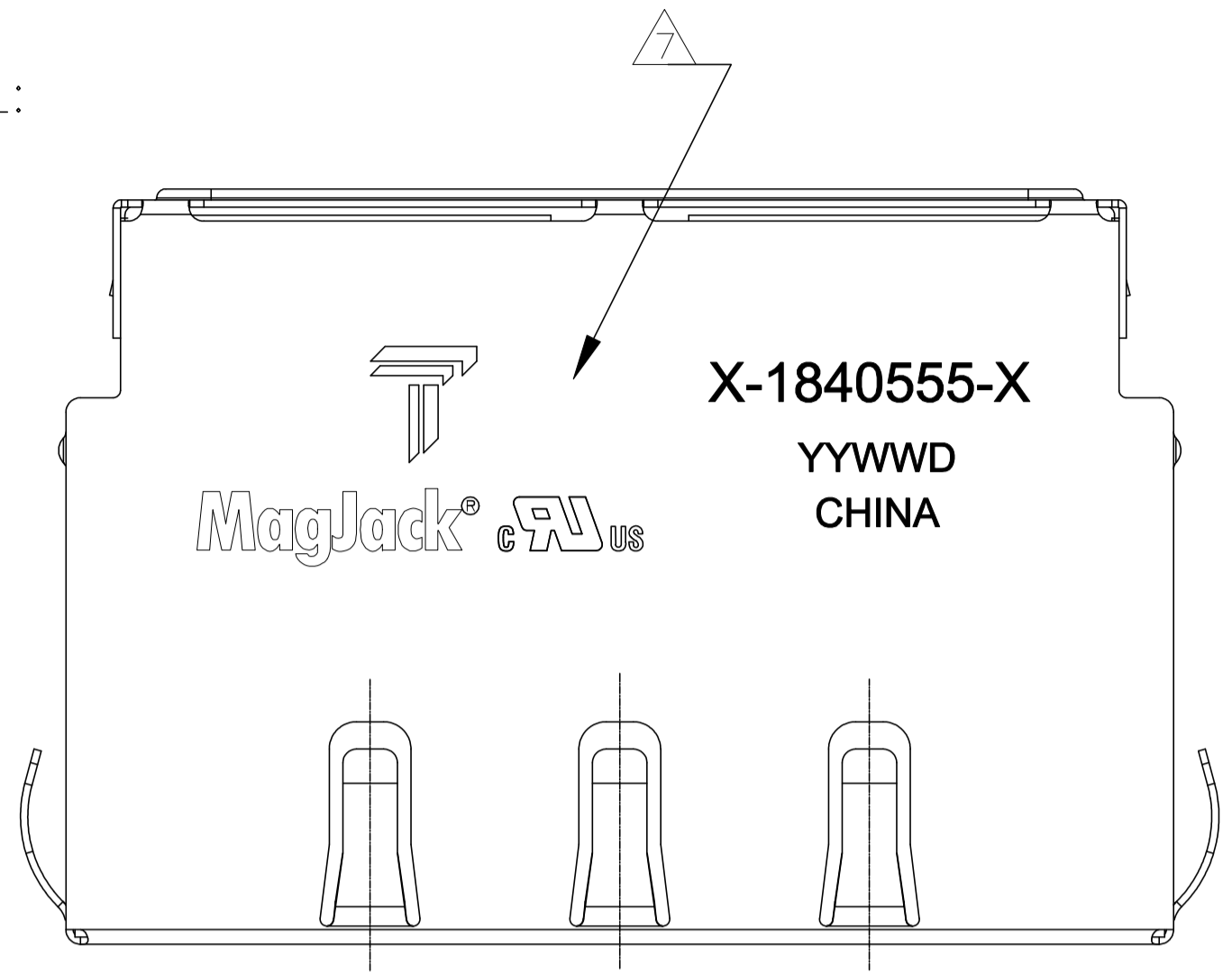


MECHANICAL:



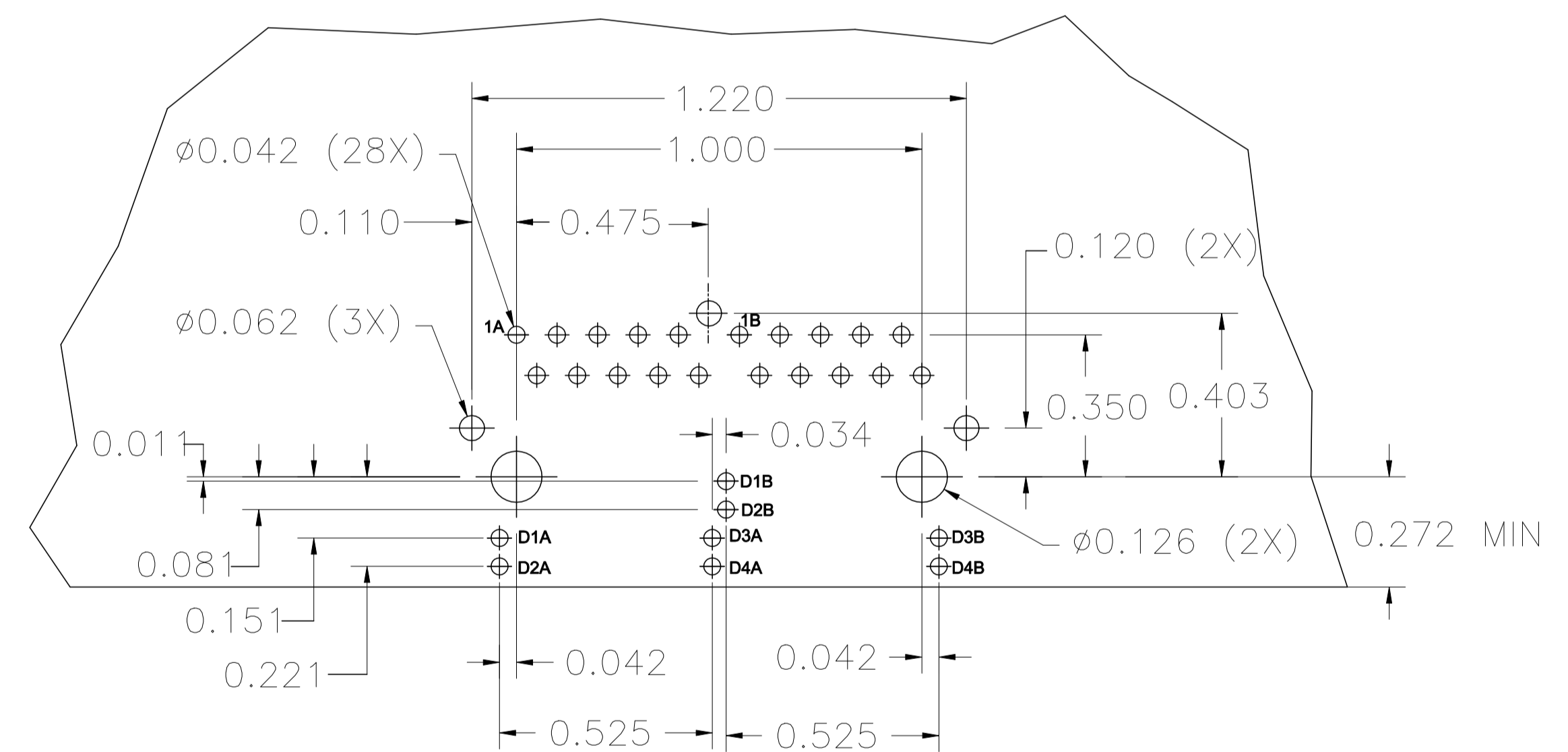
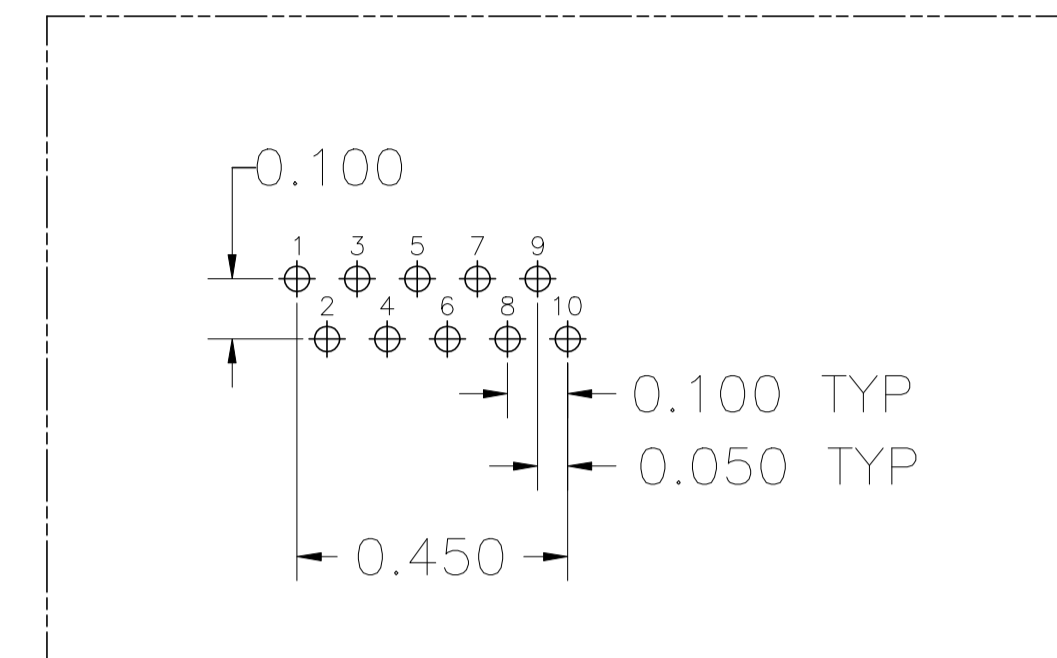
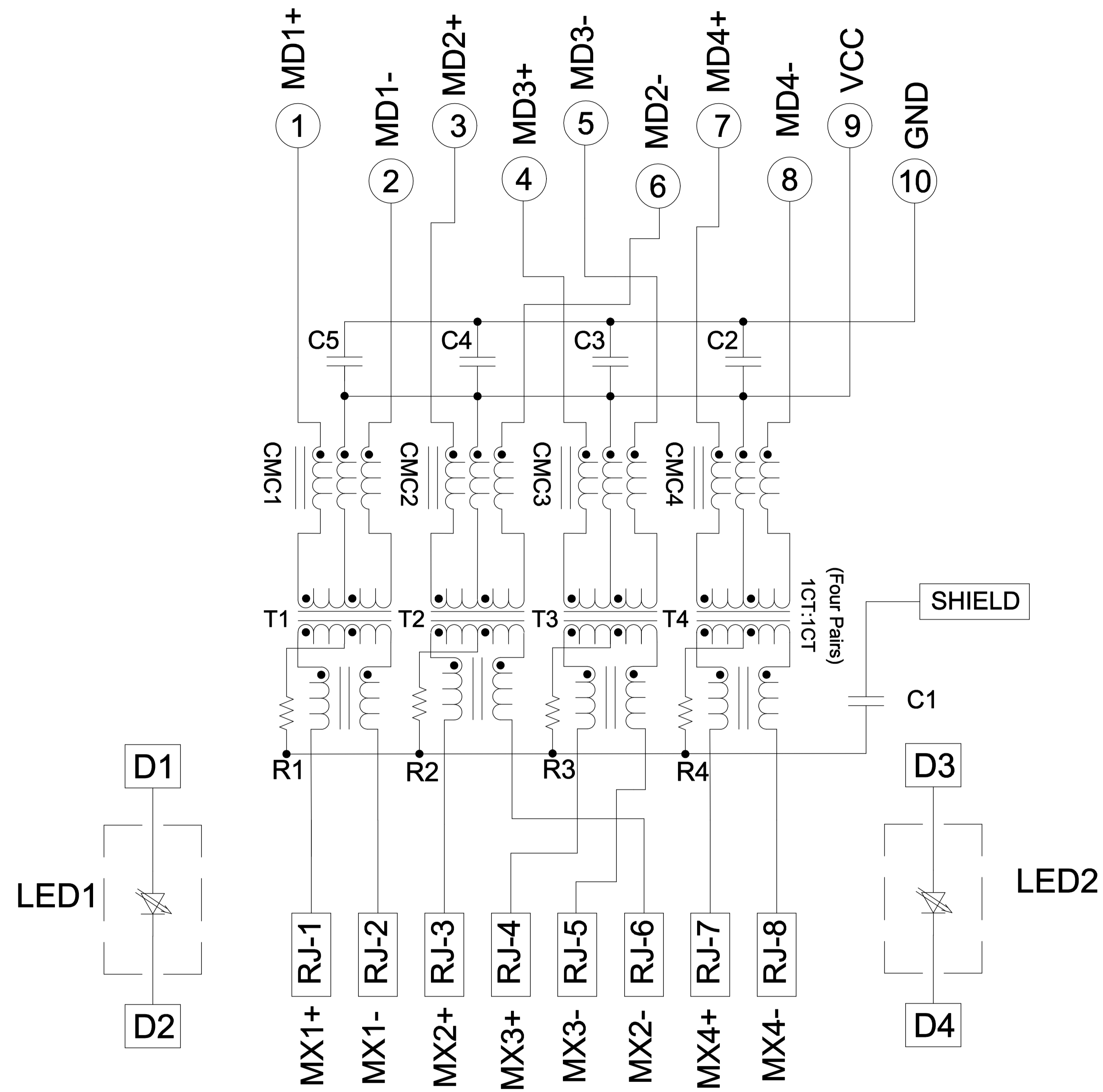
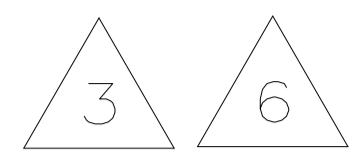
- 1. **MATERIALS:**
 - HOUSING - THERMOPLASTIC PBT POLYESTER FLAMMABILITY RATING UL 94V-0.
 - SHIELD - .008" THICK, C26800 BRASS PREPLATED WITH 30uINCH MIN SEMI-BRIGHT NICKEL. SOLDER TABS POST DIPPED WITH 100uINCH MIN SAC SOLDER.
 - MOD JACK CONTACTS - 0.0157 X 0.018" PHOSPHOR BRONZE, 50uINCH MIN OVERALL NICKEL UNDERPLATE WITH SELECT 50uINCH MIN HARD GOLD FINISH PLATE. SOLDER TAILS WITH 100uINCH MIN MATTE TIN AND/OR SAC SOLDER DIP.
 - LIGHT EMITTING DIODE(LED)-DIFFUSED EPOXY LENS, 0.020"X0.020" CARBON STEEL.WIREFRAME LEADS PREPLATED WITH 80uINCH SILVER OVER 40uINCH NICKEL UNDERPLATE OVER 40uINCH COPPER UNDERPLATE; POST-PLATED WITH 100uINCH MIN MATTE TIN AND/OR SAC SOLDER DIP OR PURE SOLDER DIP.
- 2. RJ45 JACK CAVITY CONFORMS TO FCC RULES AND REGULATIONS PART 68, SUB PART F.
- 3. **MAGNETICS**
 - APPLICATION: 10/100/1000 BASE-T
 - IMPEDANCE: 100 OHMS
 - TURNS RATIO (CHIP:CABLE): 1:1 ALL FOUR PAIRS
 - OPEN CIRCUIT INDUCTANCE (OCL): 350uH MIN @100kHz, 0.1VRMS, 8mADC BIAS FROM 0°C TO 70°C, ALL FOUR PAIRS
 - ALL FOUR PAIRS BI-DIRECTIONAL
 - PERFORMANCE @ 25°C:
 - INSERTION LOSS (IL): 1.1dB MAX FROM 0.5MHz TO 100MHz
 - RETURN LOSS (RL): 18dB MIN FROM 0.5MHz TO 40MHz
 - 12-20LOG(f/80)dB MIN FROM 40.1MHz TO 100MHz
 - CROSSTALK ATTENUATION: 35dB MIN FROM 0.5MHz TO 40MHz
 - 33-20LOG(f/50)dB MIN FROM 40.1MHz TO 100MHz
 - COMMON MODE REJECTION RATIO (CMRR): 30dB MIN FROM 0.5MHz TO 100MHz
 - ISOLATION VOLTAGE: COMPLIES WITH IEEE802.3 2002, PARA 40.6.1.1, ITEM b.
- 4. OPERATING TEMPERATURE: FROM 0°C to +70°C.
- 5. LED IS DRIVEN WITH CONSTANT CURRENT AT APPROX 20mA.
LED COLOR: DOMINANT WAVELENGTH (λ D): GREEN 568 nm TYP. at IF=20mA
FORWARD VOLTAGE (VF): GREEN 2.2V TYP. at IF=20mA
- 6. INDICATED MAGNETIC CONNECTIONS ARE SYMMETRICAL AND SUPPORT AUTO-MDIX.
- 7. TRP CONNECTOR LOGO, PART NUMBER, DATE CODE, COUNTRY OF ORIGIN AND AGENCY APPROVAL MARKING IN APPROXIMATE LOCATION SHOWN.
- 8. PART SHOULD BE RECOMMENDED FOR WAVE SOLDERING PROCESS, PEAK WAVE SOLDERING TEMPERATURE IS 260°C MAX, 10 SECONDS MAX.

0.115	GREEN	GREEN	1-1840555-7
0.145	GREEN	GREEN	1840555-7
DIM A	LED1	LED2	PART NUMBER

THIS DRAWING IS A CONTROLLED DOCUMENT.		DWN	17JUL2008
DIMENSIONS: INCHES		CHK	17JUL2008
TOLERANCES UNLESS OTHERWISE SPECIFIED:		APVD	17JUL2008
0 PLC	±	TEDDY XIONG	
1 PLC	±	MODEL NAME	
2 PLC	±	MAGJACK	
3 PLC	±	DESC	
4 PLC	±	1X2 4G65P2 GIGABIT TAB DOWN W/ LED	
ANGLES	±	SIZE	CAGE CODE
APPLICATION SPEC	±	A1	1840555
PRODUCT SPEC	108-2100	CUSTOMER DRAWING	RESTRICTED TO
		SCALE	SHEET
		NTS	1 OF 2
			REV E

ELECTRICAL:

4G65P2 GIGABIT CIRCUIT



C1=1000 pF, 2kV CAPACITOR
 R1-R4=75 OHMS, 5%, 1/16W RESISTORS
 C2-C5=0.1uF, 10%, 50V CAPACITOR

THIS DRAWING IS A CONTROLLED DOCUMENT.		DWN: QUENTIN LIU 17JUL2008	DONGGUAN CHINA
DIMENSIONS: INCHES		CHK: VERN WANG 17JUL2008	
TOLERANCES UNLESS OTHERWISE SPECIFIED:		APVD: TEDDY XIONG 17JUL2008	
0 PLC ± - 1 PLC ± - 2 PLC ± .010 3 PLC ± .005 4 PLC ± - ANGLES ± -	PRODUCT SPEC 108-2100 APPLICATION SPEC -	MODEL NAME: MAGJACK GANG NON-POE	DESC: 1X2 4G65P2 GIGABIT TAB DOWN W/ LED SIZE: A1 CAGE CODE: - DRAWING NO: 1840555 RESTRICTED TO: -
CUSTOMER DRAWING		SCALE: NTS	SHEET 2 OF 2 REV E