

PRODUCT NO.
72512-0021 SEE NOTE 6

PRODUCT NO.
72512-0011 SEE NOTE 6

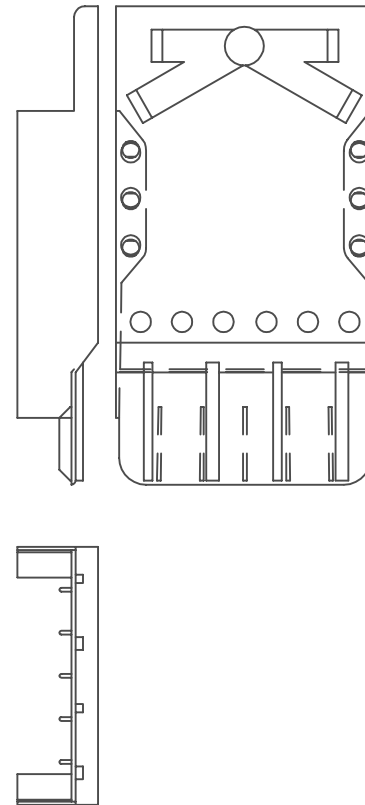
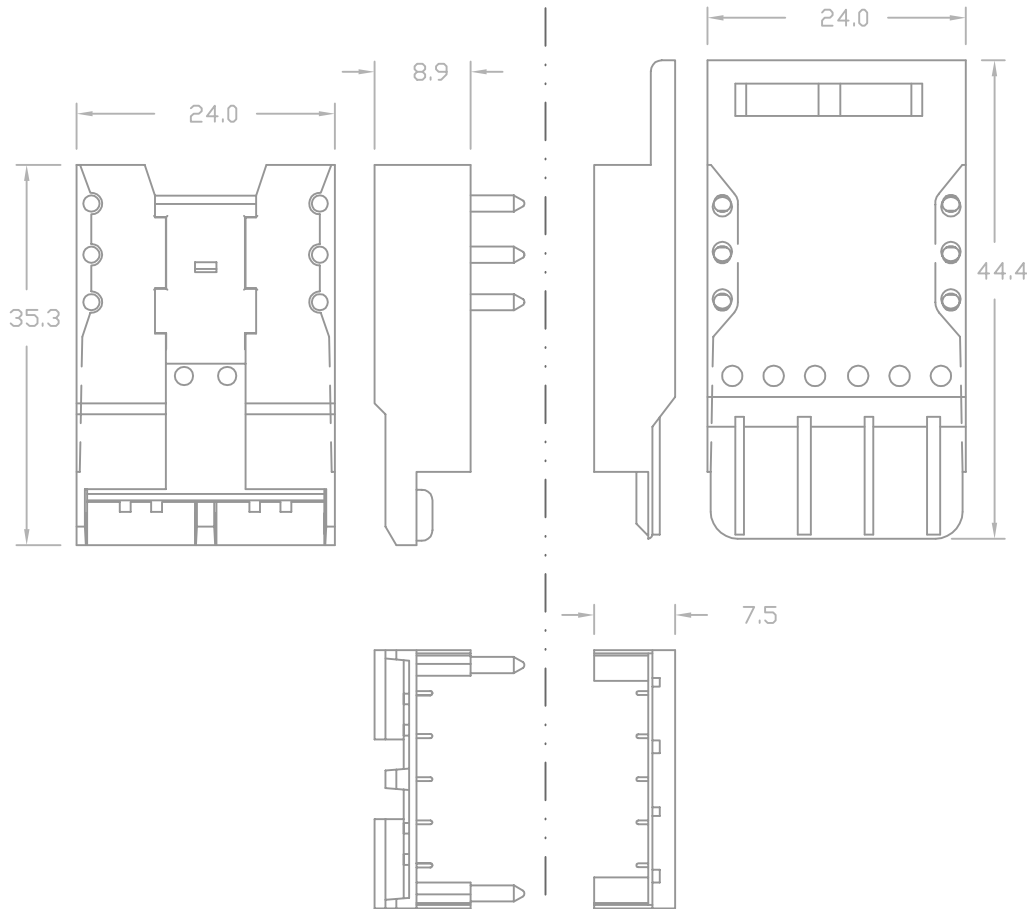
PRODUCT NO.
72512-0031 SEE NOTE 6

NOTES:

- SEE APPLICATION SPECIFICATION, GS-20-003, FOR INSTRUCTION ON WIRE INSERTION AND ASSEMBLY OF COMPONENTS FOR CONNECTOR USING THESE COVERS.
- MATERIAL:
GLASS FILLED 612 POLYAMIDE.

3.72512-0011 IS AN OLDER VERSION AND WILL BE OBSOLETE AFTER CURRENT STOCK IS USED UP.
ORDER 72512-0031 WHEN 72512-0011 IS UNAVAILABLE.

- THE PRODUCTS WHERE THE PART NUMBER ENDS IN LF MEET THE EUROPEAN UNION DIRECTIVES AND OTHER COUNTRY REGULATIONS AS DESCRIBED IN GS-22-008.
- THESE PRODUCTS LISTED ON THIS DRAWING WILL NOT WITHSTAND WAVE SOLDER OR REFLOW OPERATIONS.
- FOR LEAD FREE PART NUMBERS, ADD AN 'LF' SUFFIX.
EXAMPLE 72512-0021LF.



mat'l. code SEE NOTES	surface ASME Y14.5	tolerance ASME Y14.5	projection MM	product family METRAL CABLE	
ltr ecn no dr date	tolerances unless otherwise specified		title		
A V71561 JRV 11/6/97	angles	.X ±.3	5X12 COVERS		
B V12745 LSS 11/29/01	linear	.XX ±.13	UNSHIELDED CABLE CONNECTORS		
C V04-1106 DAI 11/15/04	0° ±2'	.XXX ±.051	scale 1:1		
D V05-0594 VS 08/08/05	dr	J.R.VOLSTROF 11/5/97	FCI	dwg no sheet 1 of 1 size	
E V06-0609 DCH 2006-06-23	engr	J.R.VOLSTROF 11/5/97		72512 A4	
	chr	J.R.VOLSTROF 11/5/97		type	CUSTOMER Drawing
	appd	J.R.VOLSTROF 11/5/01			
sheet index	revision sheet	E 1			