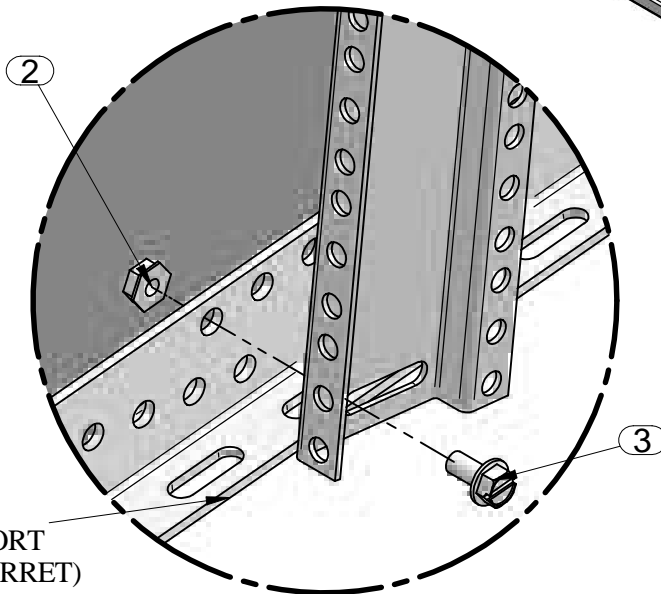
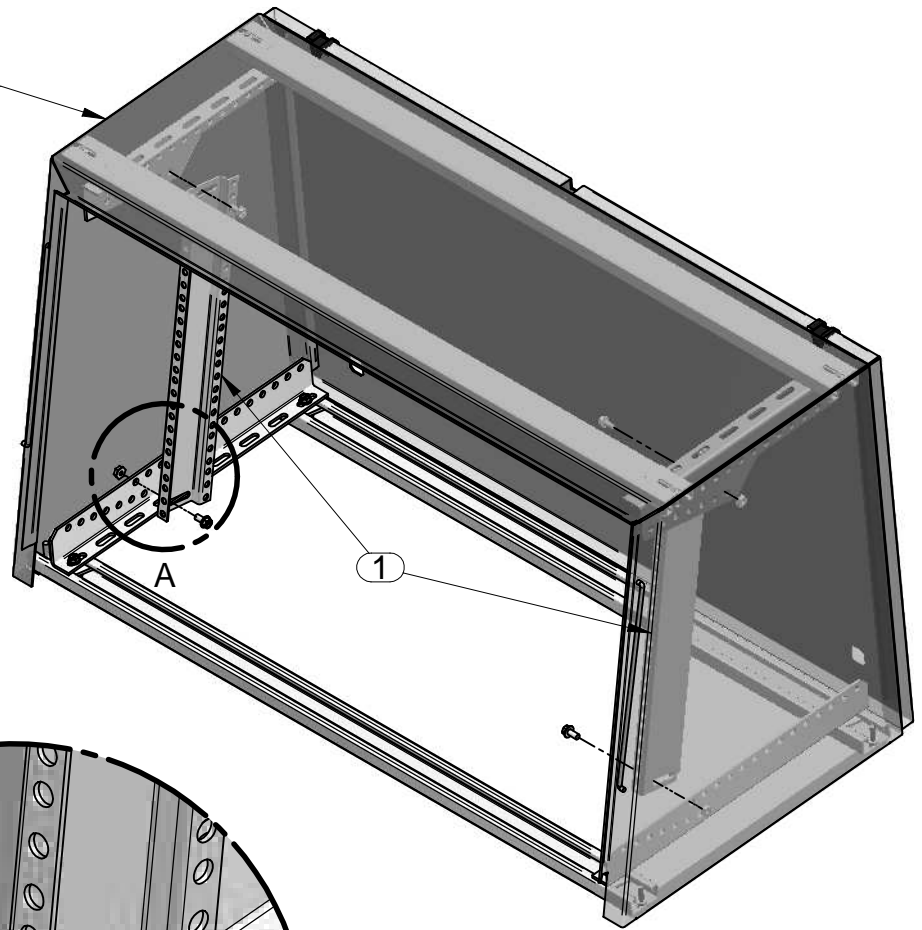


SERIES 2000 TURRET
OR BASE UNIT



RAIL SUPPORT
2CTRSK_ (TURRET)
OR
2CBRSK (BASE)

DETAIL A

ASSEMBLY INSTRUCTIONS:

- A) After mounting the rail support kit. Place the combination rail (item 1) onto the top and bottom rail supports to suit application.
- B) Using 1/4-20 hex screws and KEP nuts (item 2 & 3) tighten the combination rails down securely.

PARTS LIST

ITEM No.	DESCRIPTION	QTY
1	COMBINATION RAIL	2
2	1/4-20 KEP NUT	4
3	1/4-20 X 3/4 HEX SCREW	4

TOOL BOX



3/8, 7/16" Socket
Wrench



3/8, 7/16 Open
Wrench

