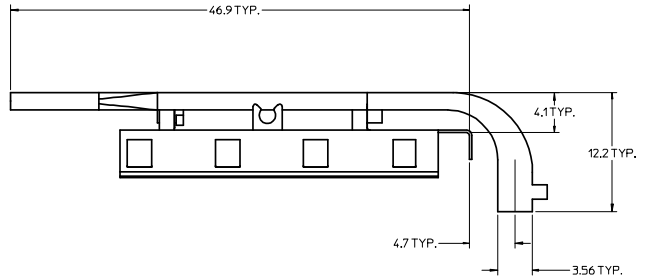
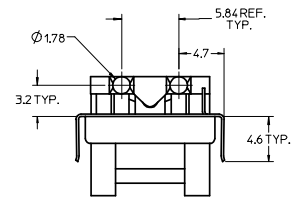
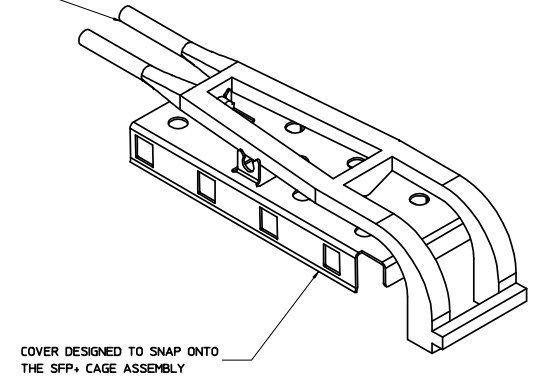
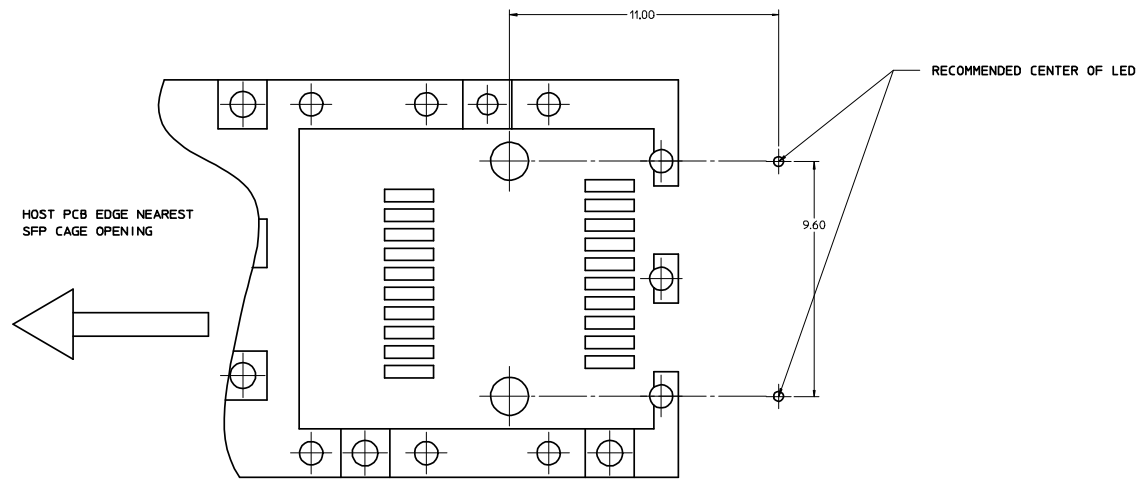
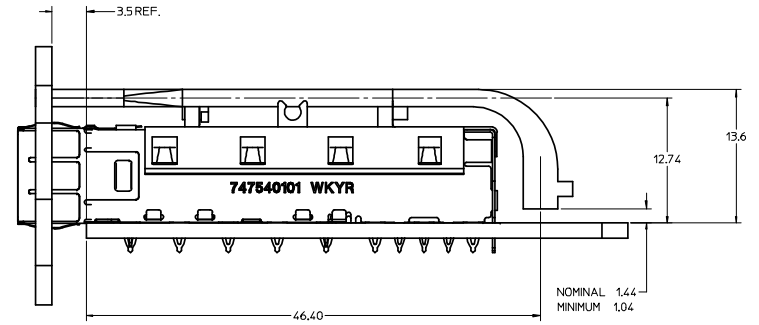
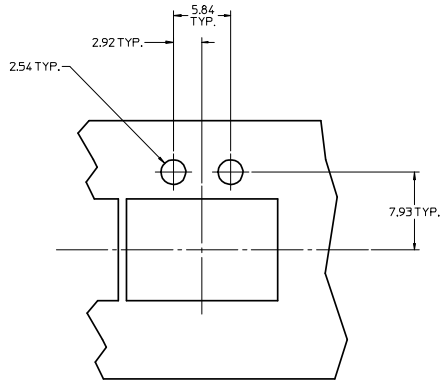


LIGHT PIPES SECURED TO METAL CAGE COVER



- MATERIAL :**
COVER: COPPER ALLOY
LIGHT PIPE: POLYCARBONATE (94-V0 RATED)
- THIS LIGHT PIPE ASSEMBLY IS TO BE USED WITH THE SFP+ 1X CAGE ASSEMBLY P/N 7475401**
- IT IS RECOMMENDED THAT THE CAGE BE PRESSED INTO OR SOLDERED TO THE PCB PRIOR TO ASSEMBLING THE LIGHT PIPE ASSEMBLY.
- THIS PART MEETS THE RESTRICTION OF HAZARDOUS SUBSTANCES IN ELECTRICAL AND ELECTRONIC EQUIPMENT (RoHS) DIRECTIVE (2002/95/EC)

ENTER DESCRIPTION IEC NO: USY2008-0491 DRAWN: JERWIN 2008/07/10 CHYK: ARINKE 2008/07/10 APPR: K. JANOTA 2008/07/22	QUALITY SYMBOLS ▼=0 ▽=0	GENERAL TOLERANCES (UNLESS SPECIFIED)		DIMENSION STYLE MM ONLY	SCALE 4:1	DESIGN UNITS METRIC	THIRD ANGLE PROJECTION	
		4 PLACES ±--- ±---	3 PLACES ±--- ±---	2 PLACES ±0.15 ±---	1 PLACE ±0.25 ±---	DRAWN BY JERWIN	DATE 2008/06/30	TITLE SFP+ 1X1 LIGHT PIPE ASSEMBLY, LOW PROFILE
		ANGULAR ± 1°		DRAFT WHERE APPLICABLE MUST REMAIN WITHIN DIMENSIONS		APPROVED BY KJANOTA	DATE 2008/06/30	MOLEX INCORPORATED
		WATERIAL NO. 747540011		DOCUMENT NO. SD-74754-0011		SHEET NO. 1 OF 2		



HOST PCB LAYOUT NOTES (SCALE 10:1)

1. LED SHOULD BE PLACED RELATIVE TO THE SFP CONNECTOR POST HOLES
2. LAYOUT APPLIES TO EACH PORT

ENTER DESCRIPTION IEC NO. USY2008-0491 DRAWN: JERWIN 2008/07/10 CHECKED: ARI NKE 2008/07/10 APPROVED: KJANOTA 2008/07/22	QUALITY SYMBOLS ▽=0 ▽=0	GENERAL TOLERANCES (UNLESS SPECIFIED)		DIMENSION STYLE MM ONLY	SCALE 4:1	DESIGN UNITS METRIC	THIRD ANGLE PROJECTION		
		4 PLACES ± 0.15 ± 0.05 3 PLACES ± 0.15 ± 0.05 2 PLACES ± 0.15 ± 0.05 1 PLACE ± 0.25 ± 0.10	mm INCH	DRAWN BY JERWIN 2008/06/30	DATE 2008/06/30	TITLE SFP+ 1X1 LIGHT PIPE ASSEMBLY, LOW PROFILE			
		ANGULAR ± 1°	APPROVED BY KJANOTA 2008/06/30	DATE 2008/06/30	MOLEX INCORPORATED				
		DRAFT WHERE APPLICABLE MUST REMAIN WITHIN DIMENSIONS	MATERIAL NO. 747540011	DOCUMENT NO. SD-74754-0011	SHEET NO. 2 OF 2				