

4

3

2

1

THIS DRAWING IS UNPUBLISHED.

RELEASED FOR PUBLICATION

© COPYRIGHT - BY TYCO ELECTRONICS CORPORATION.

ALL RIGHTS RESERVED.

LOC FT DIST 0

REVISIONS

P	LTR	DESCRIPTION	DATE	DWN	APVD
	A1	REVISED PER ECO-07-015283	6/28/07	SS	CR

MATERIAL:

HOUSING: PA66, UL94V-0, BLACK
 COVER: PA66, UL94V-0, BLACK
 CONTACT: BRONZE
 BLOCK: BRASS
 SCREW: STEEL, ZINC PLATED

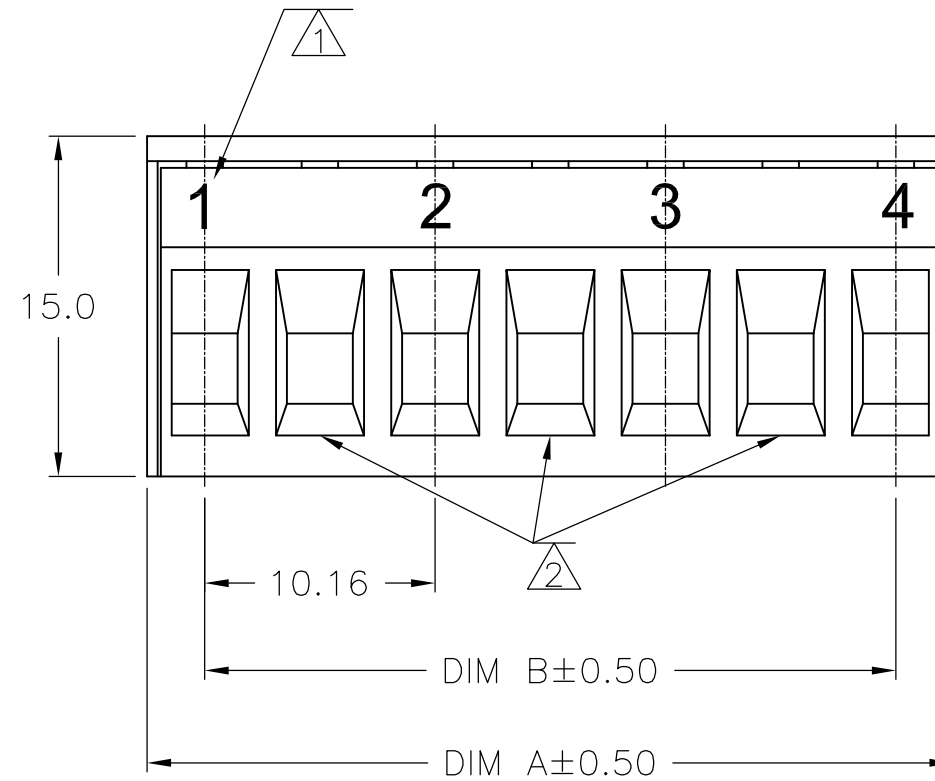
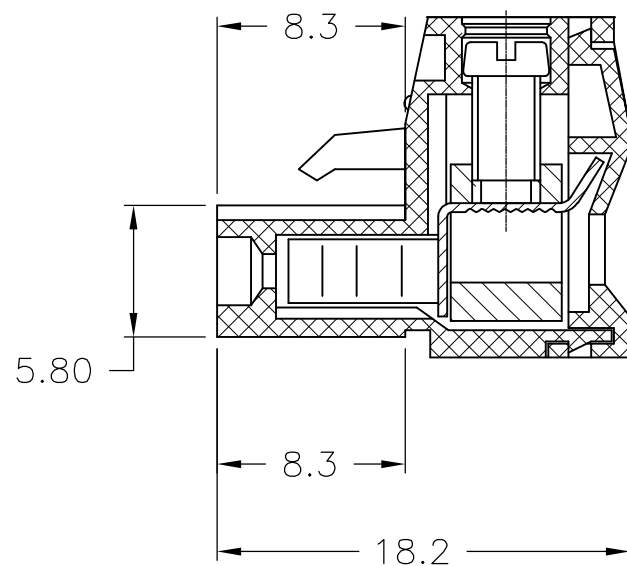
ELECTRICAL:

CURRENT: 300V, 18A
 DIELECTRIC WITHSTAND: AC 2500V FOR 1 MIN
 BREAKDOWN VOLTAGE: 4000V
 WIRE RANGE: 12-26 AWG

OPERATING TEMP.: -40°C TO +105°C
 MAX SCREW TORQUE: 5 IN-LB

① WHITE PERMANENT INK MARKING.

② PART SKIP LOADED THESE POSITIONS EMPTY.



30.48	35.56	4	1-1776770-4
DIM B	DIM A	NO OF POS	PART NUMBER

THIS DRAWING IS A CONTROLLED DOCUMENT.		DWN S SCHLEGEL 28MAR2007	Tyco Electronics Corporation Harrisburg, PA 17105-3608	
DIMENSIONS: mm		CHK C RICHARD 3/28/07		
TOLERANCES UNLESS OTHERWISE SPECIFIED:		APVD C RICHARD 3/28/07	NAME R/A PLUG, 10.16mm PITCH	
0 PLC ± - 1 PLC ± 0.4 2 PLC ± 0.25 3 PLC ± - 4 PLC ± - ANGLES ± 1		PRODUCT SPEC -	SIZE -	
MATERIAL -		APPLICATION SPEC -	CAGE CODE A300779	DRAWING NO C-1776770
FINISH -		WEIGHT -	RESTRICTED TO -	
CUSTOMER DRAWING			SCALE NTS	SHEET 1 OF 1
			REV A1	