

4

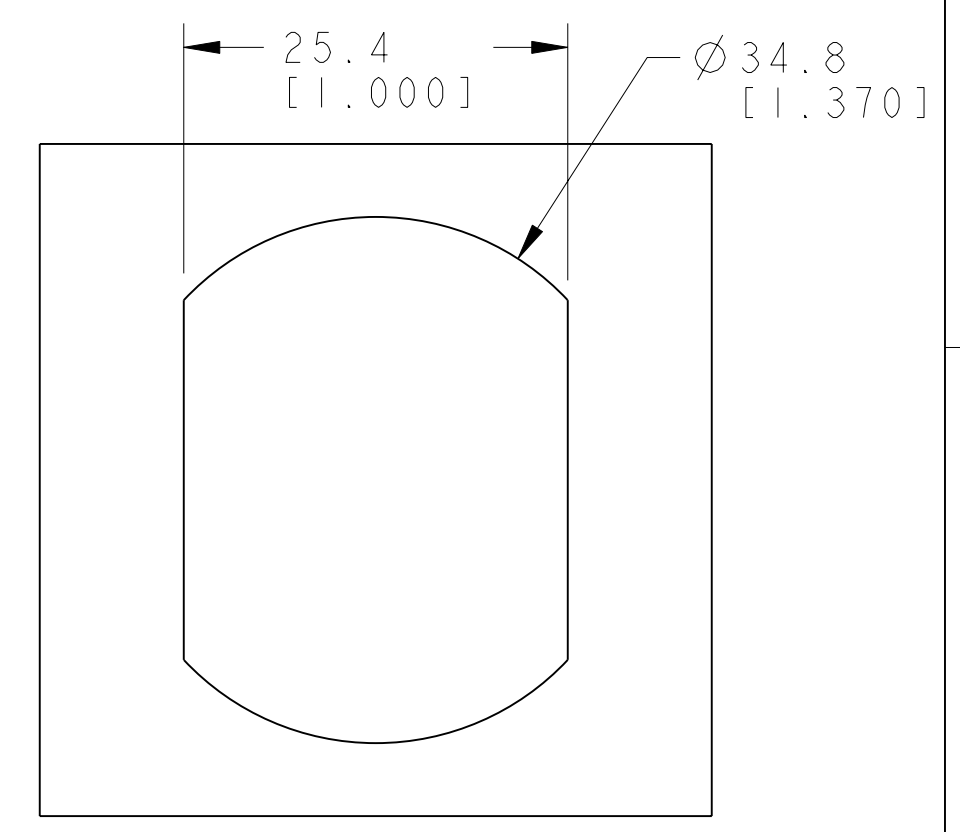
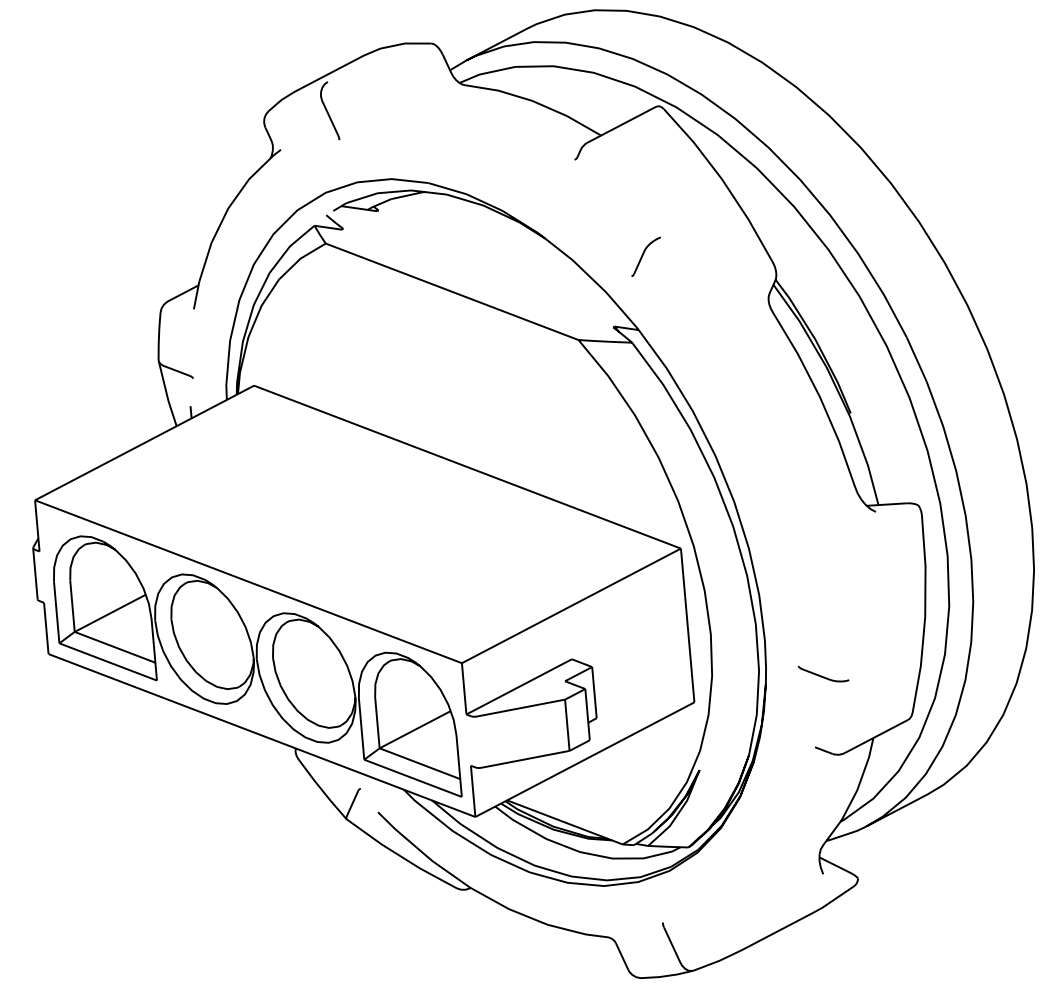
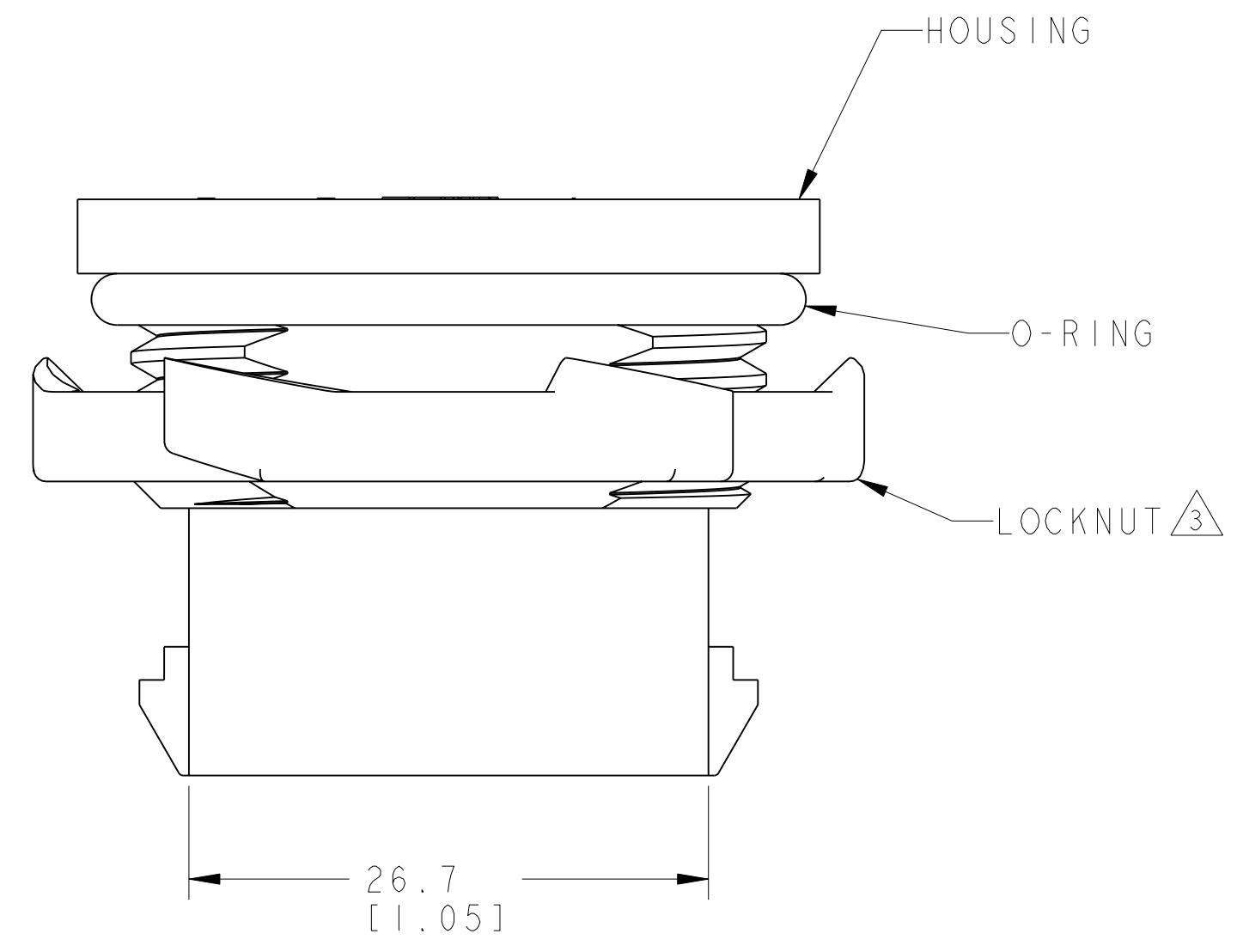
3

2

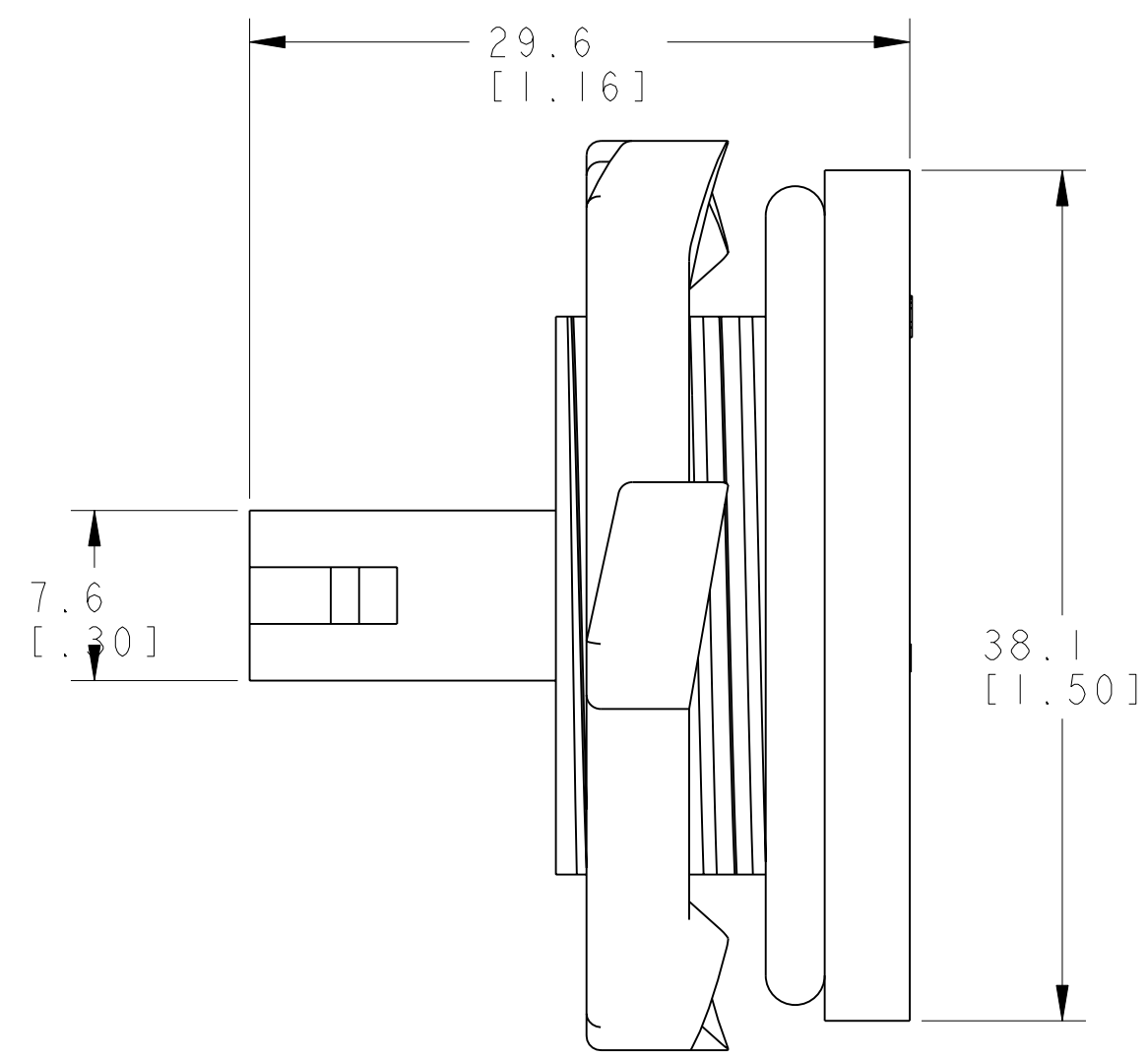
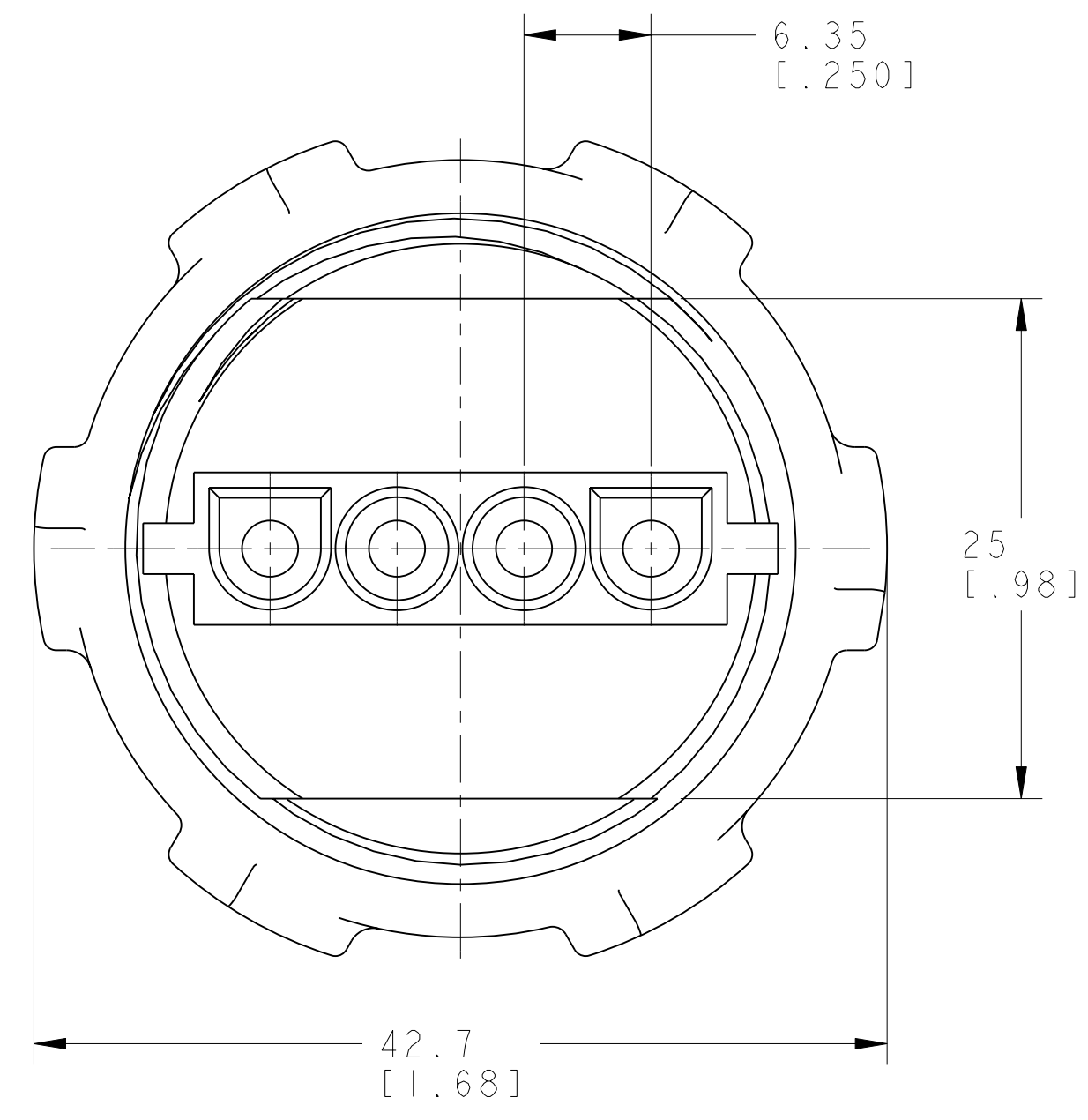
1

THIS DRAWING IS UNPUBLISHED. RELEASED FOR PUBLICATION 20
 © COPYRIGHT 20 BY TYCO ELECTRONICS CORPORATION. ALL RIGHTS RESERVED.

LOC	DIST	REVISIONS					
CM	0	P	LTR	DESCRIPTION	DATE	DWN	APVD
		A		RELEASED PER ECO-06-000794	13JAN06	KW	SR



RECOMMENDED
 PANEL CUT-OUT
 SCALE 2:1



- ⚠ LOCKNUT; METAL
 HOUSING; NYLON, FLAME RETARDANT,
 UL94-V0
 O-RING; NEOPRENE
- ⚠ LOCKNUT; PLATED
- ⚠ LOCKNUT, SIX(6) OR EIGHT(8) SYMETRICAL
 PLACED GRIP POINTS PERMISSIBLE.

1604256-1
 PART NO

METRIC

<small>THIS DRAWING IS A CONTROLLED DOCUMENT FOR TYCO ELECTRONICS CORPORATION IT IS SUBJECT TO CHANGE AND THE CONTROLLING ENGINEERING ORGANIZATION SHOULD BE CONTACTED FOR THE LATEST REVISION.</small>		DWN J.C. YOSLER 22APR2002	tyco Tyco Electronics Electronics Harrisburg, PA 17105-3608	
DIMENSIONS: INCHES		CHK J.H. WEAVER 22APR2002	NAME BULKHEAD CONNECTOR ASSEMBLY 4 CIRCUIT, UNIVERSAL MATE-N-LOK(TM)	
TOLERANCES UNLESS OTHERWISE SPECIFIED: 0 PLC ± 1 PLC ±0.5 [1.02] 2 PLC ±0.13 [1.005] 3 PLC ± 4 PLC ± ANGLES ± FINISH		APVD J.H. WEAVER 22APR2002	SIZE A2	
MATERIAL ⚠ -		PRODUCT SPEC -	CAGE CODE 00779	DRAWING NO C=1604256
		APPLICATION SPEC -	RESTRICTED TO -	
		WEIGHT -	SCALE 3:1	
		CUSTOMER DRAWING		SHEET 1 OF 1 REV A