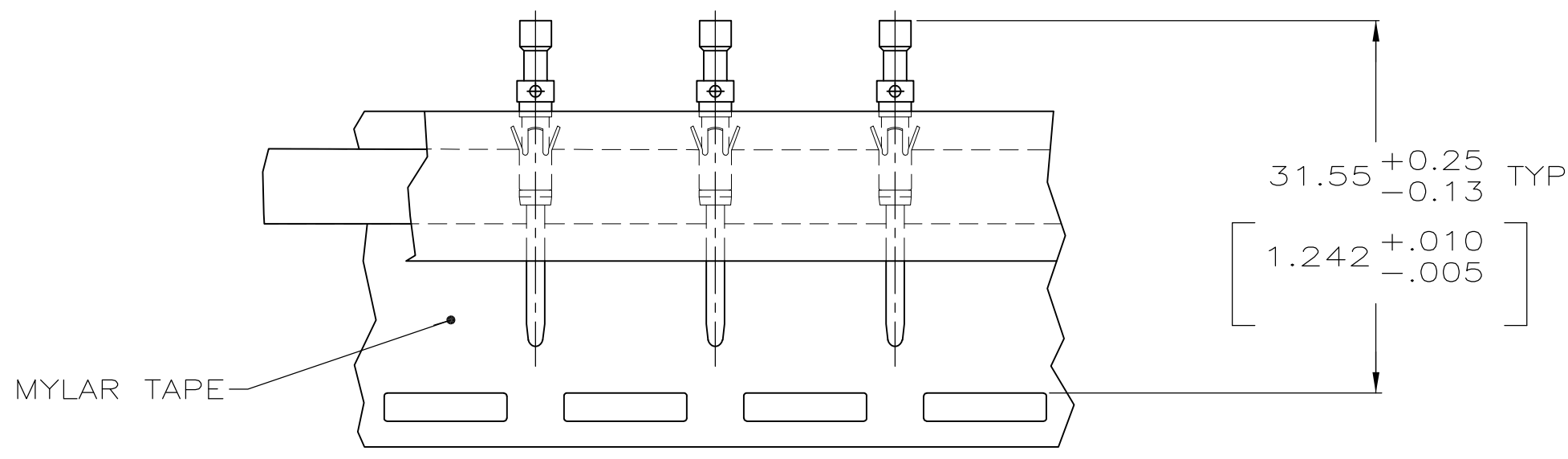
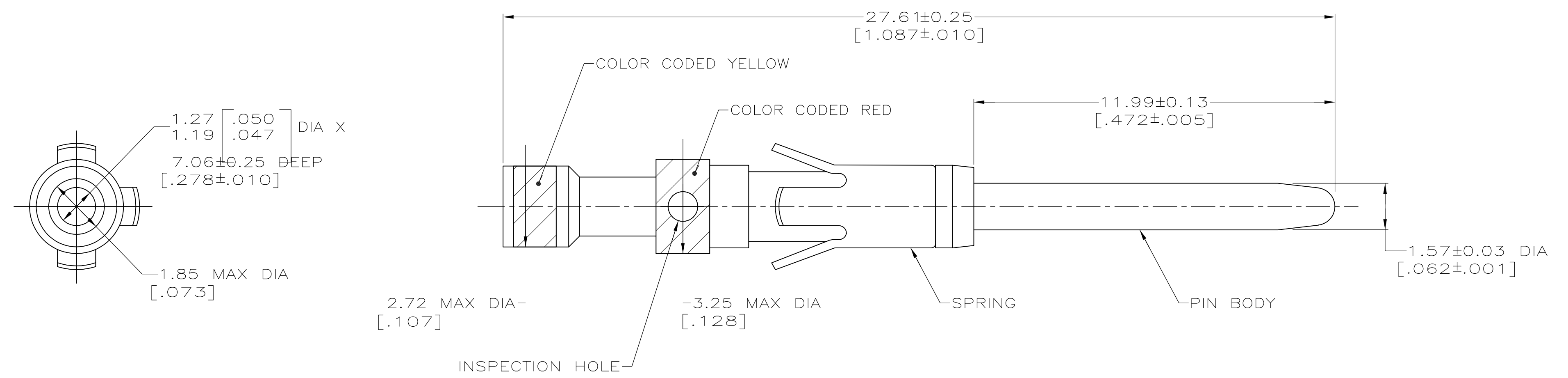


MOD	LOC	DIST	P	F	ZONE	LTR	DESCRIPTION	DATE	APPD
4	BD	39				U	ADDED -8 PER NPR 4680 AND REDRAWN ON CAD	04/06/93	-
						U1	REVISED PER ECO-09-020935	08SEP09	KK AEG



TAPE MTG DETAIL  
SCALE 2:1

- ① 0.76µm [.000030] MIN GOLD OVER 1.27µm [.000050] MIN NICKEL.
- ② WHEN ORDERING CONTACT ASSEMBLY ON TAPE, ORDER BY THE TAPE NUMBER PLUS THE PACKAGING CODE AS FOLLOWS:
  1. FOR USE WITH AMP TAPETRONIC, PNEUMATIC TOOL-
    - A. 1000 PARTS TO A BOX ADD PACKAGING CODE: 1MBOX
  2. FOR USE WITH 4/8 INDENT STRIPPER CRIMPER-
    - A. 1000 PARTS TO A REEL ADD PACKAGING CODE: 1MREEL
    - B. 5000 PARTS TO A REEL ADD PACKAGING CODE: 5MREEL
- ③ OBSOLETE PARTS: OBSOLETE CIS STREAMLINING PER D.RENAUD/D.SINISI

③ OBSOLETE	SMALL PACK	-201578-8-
	TAPE MTG (SEE DETAIL) ②	201578-4
	STANDARD	201578-1
	PACKAGING TYPE	PART NO

DO NOT SCALE PRINT. UNLESS SPECIFIED DIMENSIONS IN mm [INCHES] TOLERANCES ON : 2 PLC DEC ± - 3 PLC DEC ± - ANGLES ± -	DR 04/06/93 D.GELTZ	AMP Incorporated Harrisburg, PA 17105-3608	
	CHK 4-26-93 R.STONE		
MATERIAL	APPD 4-29-93 R.S.KLINE	NAME	
PIN BODY: COPPER ALLOY SPRING: STAINLESS STEEL	APPD - -	CONTACT ASSEMBLY, PIN, #16, 20-24 AWG, TYPE II	
FINISH	APPLICATION SPEC	SIZE	CAGE CODE
PIN BODY: ③	-	C	00779
	WEIGHT -	SCALE	DRAWING NO
		10:1	C-201578
			SHEET
			1 OF 1

THIS DRAWING IS A CONTROLLED DOCUMENT FOR AMP INCORPORATED. IT IS SUBJECT TO CHANGE AND THE CONTROLLING ENGINEERING ORGANIZATION SHOULD BE CONTACTED FOR THE LATEST REVISION.