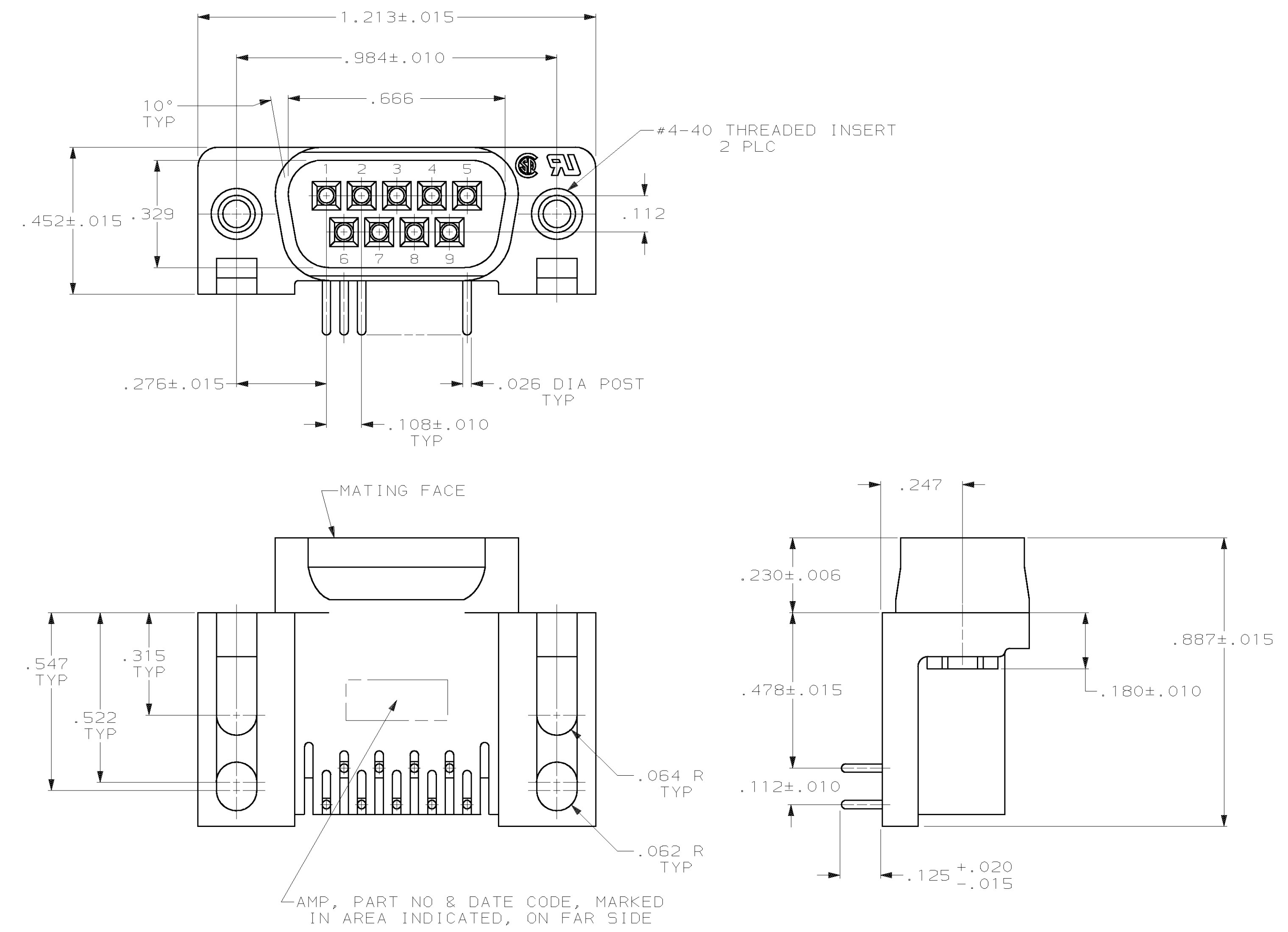
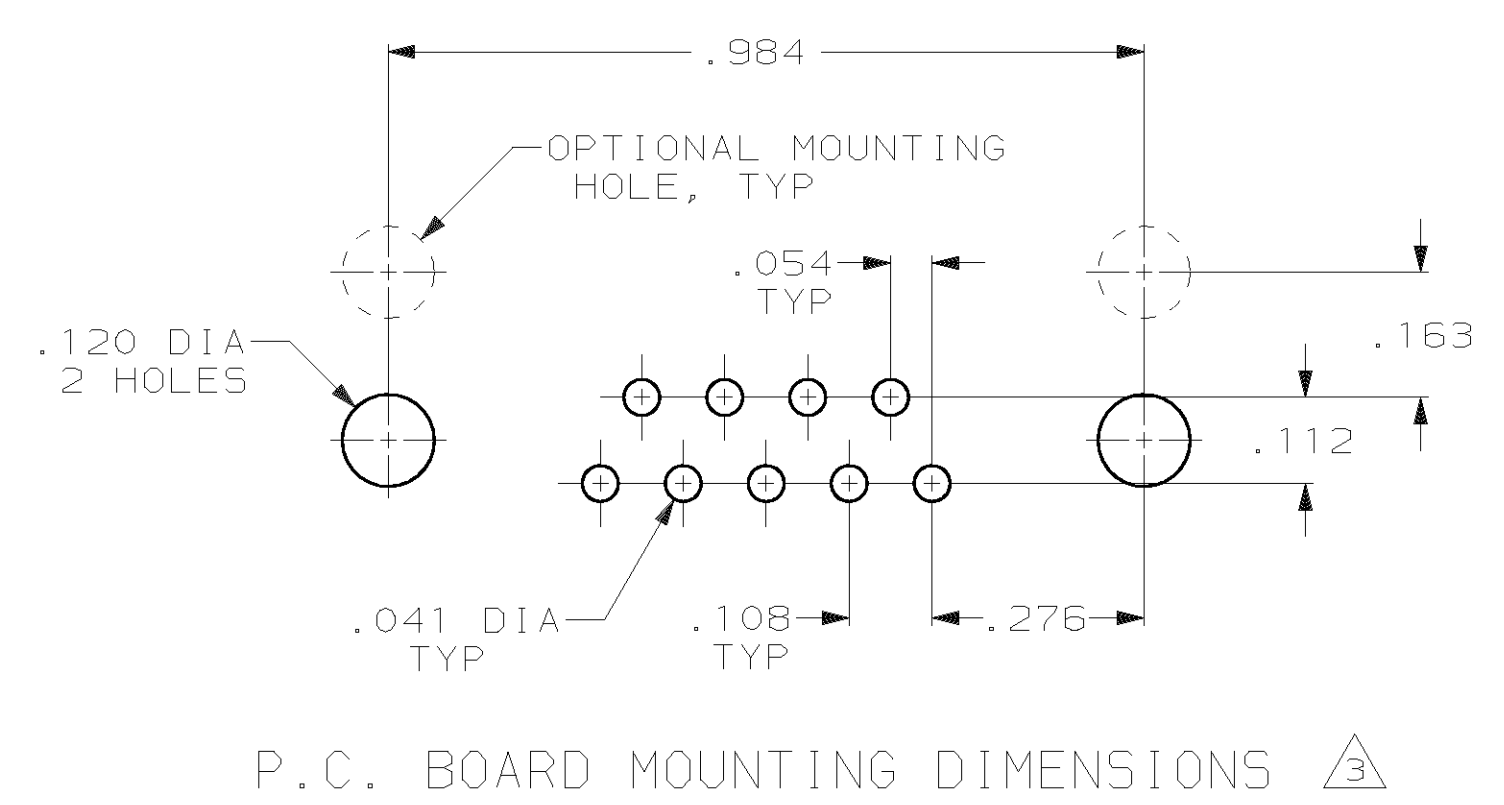


LOC		DIST		P		F		ZONE		LTR		DESCRIPTION		DATE	APPD
														15 DEC 95	RT
														12 FEB 99	RT



- 1 FLAME RETARDANT, 94V-0 RATED, GLASS FILLED NYLON OR POLYESTER, COLOR: BLACK.
- 2 BRASS PER MIL-C-50.
- 3 REFER TO APPLICATION SPEC FOR RECOMMENDED P.C. BOARD MOUNTING DIMENSIONS FOR AUTOMATIC INSERTION.
- 4 GOLD PLATING PER MIL-G-45204, TIN PLATING PER MIL-T-10727, NICKEL PLATING PER QQ-N-290.
- 5 PLATED WITH GOLD FLASH FOR LENGTH OF .150 MIN FROM MATING END, WITH POINT OF MEASUREMENT .075 FROM MATING END OF CONTACT, .000100-.000200 TIN OR TIN-LEAD ON SOLDER END, ALL OVER .000050 NICKEL ON ENTIRE CONTACT.
- 6 GOLD PLATED FOR LENGTH OF .150 MIN FROM MATING END, .000030 MIN GOLD IN MATED AREA, WITH POINT OF MEASUREMENT .075 FROM MATING END OF CONTACT, .000100-.000200 TIN OR TIN-LEAD ON SOLDER END, ALL OVER .000050 NICKEL ON ENTIRE CONTACT.



UNLESS OTHERWISE SPECIFIED DIMENSIONS ARE IN INCHES TOLERANCES ON:		DR 5-5-87 S.WELDON	NAME AMP AMP INCORPORATED Harrisburg, Pa. 17105 PLUG ASSY, SIZE 1, 9 POSN, RIGHT ANGLE, .478 SERIES, .026 DIA POSTS, W/ THREADED INSERTS, AMPLIMITE® HD-20
2 PL DEC ± .005		CHK 5-5-87 C.RICHARD	
3 PL DEC ± .005		APPD5-5-87 B.TAYLOR	
MATERIAL	MOLDED PARTS: 1 CONTACTS: 2 INSERTS: ZINC	APPD5-5-87 J.ASSINI	PRODUCT SPEC 108-40005
FINISH	CONTACTS: SEE TABLE INSERTS: CLEAR CHROMATE	APPLICATION SPEC 114-40015	SIZE D 00779
SCALE 4:1		WEIGHT -	DRAWING NO 745877
SHEET 1 of 1		SHEET 1 of 1	