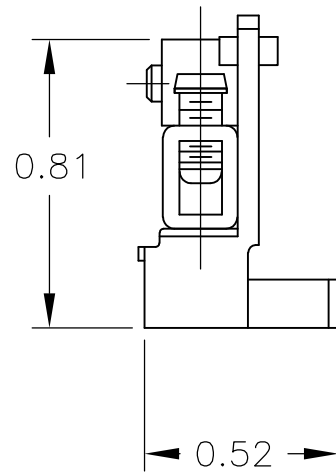
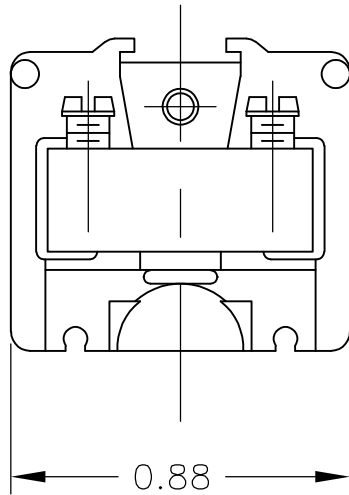
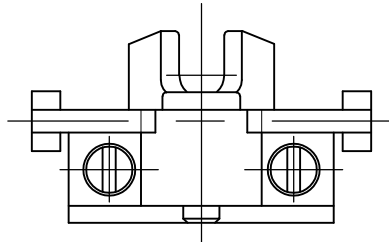


LOC	DIST	REVISIONS					
—	—	P	LTR	DESCRIPTION	DATE	DWN	APVD
			A	REDRAWN PER ECO-08-023052	29SEP08	HMR	SM

△ 1 MATERIAL: POLYPROPYLENE



THIS DRAWING IS UNPUBLISHED.

RELEASED FOR PUBLICATION  
ALL INTERNATIONAL RIGHTS RESERVED.

© COPYRIGHT BY TYCO ELECTRONICS CORPORATION.

DIMENSIONS: INCHES	DWN	29SEP08	MATERIAL	△ 1	FINISH	—
	CHK	RAGHAVENDRA	29SEP08	Tyco Electronics Corporation Harrisburg, PA 17105-3608		
TOLERANCES UNLESS OTHERWISE SPECIFIED:	APVD	MACE SAM	29SEP08	Tyco Electronics Corporation Harrisburg, PA 17105-3608		
	PRODUCT SPEC	MACE SAM	29SEP08	NAME CONTACT SECTION AND TUBULAR CONTACT ASS'Y. MIN TERM BLOCK		
0 PLC ± -	APPLICATION SPEC	—	SIZE	A4	CAGE CODE	00779
1 PLC ± -	WEIGHT	—	DRAWING NO	C-4-1437392-7		RESTRICTED TO
2 PLC ± -			CUSTOMER DRAWING			SCALE
3 PLC ± .005						2:1
4 PLC ± -						SHEET
ANGLES ± 0° 15'						1 OF 1
						REV
						A

