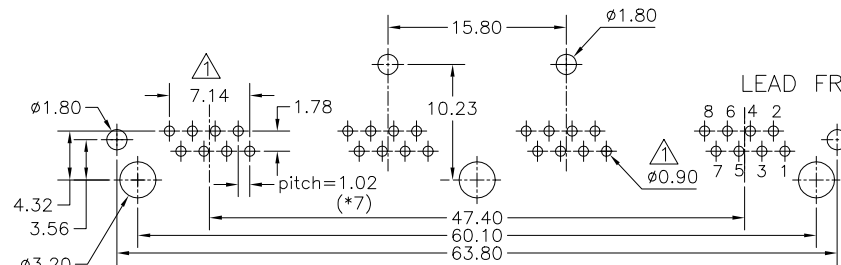
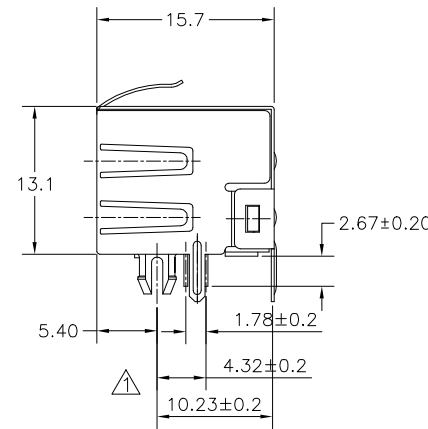
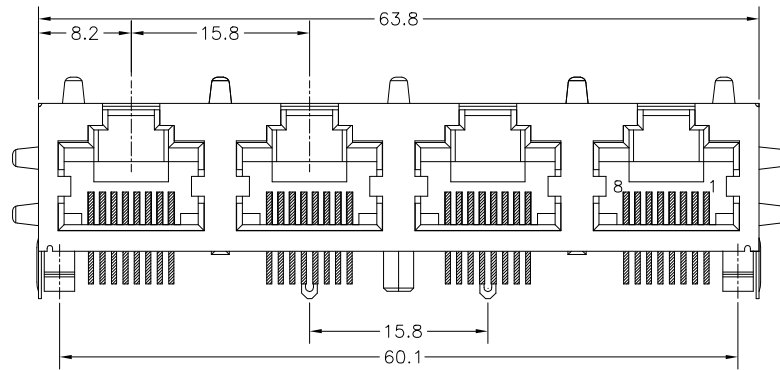


A1RFRD10

REVISION RECORD				
REV	ECO	DESCRIPTION	DRFT	CHKD
△		MODIFY DIMENSION	03/11/02 Chuo	
△		ADD P/N	06/19/03 DFP	
△		ADD P/N	02/22/05 PETERS	



PC Board Layout
Component Side Shown

△ PCB t =1.60mm

NOTES:

ELECTRICAL:

- VOLTAGE RATING : 125 VAC RMS.
- CURRENT RATING : 1.5 AMP.
- CONTACT RESISTANCE : 30 MILLIOHMS MAX.
- INSULATION RESISTANCE: 1000 MEGOHMS MIN @ 500 VDC.
- DIELECTRIC STRENGTH : 1000 VAC RMS 60Hz, 1MIN.
- OPERATING: 750 CYCLES MIN.

MECHANICAL:

- HOUSING MATERIAL : PBT+30%.G.F OR FR52 UL94V-0. COLOR-BLACK.
- INSERT MATERIAL : PBT+30%GF OR FR52 UL94V-0. COLOR-BLACK.
- BACK PLATE MATERIAL : PBT+30%GF. OR FR52 COLOR-BLACK.
- SHIELD MATERIAL : COPPER ALLOY 0.25mm THICKNESS PLATING NI.
- CONTACT MATERIAL : PHOSPHOR BRONZE 0.35mm THICKNESS OR 0.46mm.
- PLATING : GOLD PLATING OVER NICKEL.
- PCB RETENTION PRE-SOLDER : 1 LB MIN.
- PCB RETENTION POST-SOLDER: 10 LBS MIN.

ENVIRONMENTAL:

- STORAGE : -40°C TO +85°C.
 - OPERATION: 0°C TO 70°C.
- MATES WITH MODULAR PLUG CONFORMING TO
FCC PART 68, SUBPART F.
CUL FILE NO. E163191

LEAD FREE PART NUMBER: E5J88 - 6 X X X X X-L

- 1-NO TAB
- 2-TOP TABS.
- 3-SIDE TABS.
- 4-TOP TABS & SIDE TABS.

PLATING: 1-3u" 3-15u"
2-6u" 4-30u"
5-50u"

B-NI SHIELD STAMPED PIN.
F-NI SHIELD ROUND PIN(0.46).

0-W/O LOGO
△ J-W/O LOGO A05-0130
4-4 PORTS W/O MIDDLE POLE
△ C-4 PORTS W/ MIDDLE POLE

W/TIN PART NUMBER: E5J88 - 6 X X X X X

- 1-NO TAB
- 2-TOP TABS.
- 3-SIDE TABS.
- 4-TOP TABS & SIDE TABS.

PLATING: 1-3u" 3-15u"
2-6u" 4-30u"
5-50u"

B-NI SHIELD STAMPED PIN.
F-NI SHIELD ROUND PIN(0.46).

0-W/O LOGO
△ J-W/O LOGO A05-0130
4-4 PORTS W/O MIDDLE POLE
△ C-4 PORTS W/ MIDDLE POLE

DETACHED LISTS	MM (INCH)	DFTO Christ	DATE 8/27/2001
	TOLERANCES EXCEPT AS NOTED	CHKD JAKE	DATE 2005/2/24
		MFO	DATE
	MM	APPVLLUSHENG	DATE 2005/2/24
	.0 ± 0.2		
	.00 ± 0.15		
.000 ± 0.075			
ANGLES ±	QT'Y :	MATERIAL :	
THIRD ANGLE PROJECTION	FINISH :	SCALE :	

FULL RISE ELECTRONIC CO., LTD

TITLE
RJ45 W/O LED JACK 4 PORTS

DRAWING NO. GE5J3A18
/PART NO. SEE NOTE

DO NOT SCALE DRAWING

SHEET 1 OF 1