

TOSHIBA CMOS DIGITAL INTEGRATED CIRCUIT SILICON MONOLITHIC

# TC74HC173AP, TC74HC173AF

## QUAD D - TYPE REGISTER (3 - STATE)

The TC74HC173A is a high speed CMOS D - TYPE REGISTER fabricated with silicon gate C<sup>2</sup>MOS technology.

It achieves the high speed operation similar to equivalent LSTTL while maintaining the CMOS low power dissipation.

It consists a 4 - bit register consisting of D - type flip - flops and 3 - state buffers. The four flip - flops are controlled by a common clock input (CK) and a common clear input (CLR).

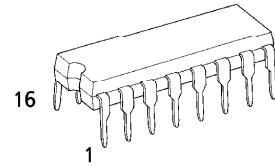
Signals applied to the data inputs (D1~D4) are stored in the respective flip - flops on the positive going transition of CK when clock control inputs (G1, G2) are held low.

The clear function is asynchronous to CK and active on a high level. The stored data are enabled to each outputs when output control inputs (M, N) are held low, else the outputs are high impedance state.

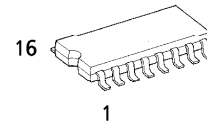
All inputs are equipped with protection circuits against static discharge or transient excess voltage.

### FEATURES :

- High Speed..... $f_{MAX} = 47\text{MHz}(\text{typ.})$  at  $V_{CC} = 5\text{V}$
- Low Power Dissipation..... $I_{CC} = 4\mu\text{A}(\text{Max.})$  at  $T_a = 25^\circ\text{C}$
- High Noise Immunity..... $V_{NIH} = V_{NIL} = 28\% V_{CC} (\text{Min.})$
- Output Drive Immunity..... 15 LSTTL Loads
- Symmetrical Output Impedance...  $|I_{OH}| = I_{OL} = 6\text{mA}(\text{Min.})$
- Balanced Propagation Delays.....  $t_{pLH} \approx t_{pHL}$
- Wide Operating Voltage Range...  $V_{CC} (\text{opr.}) = 2\text{V} \sim 6\text{V}$
- Pin and Function Compatible with 74LS173

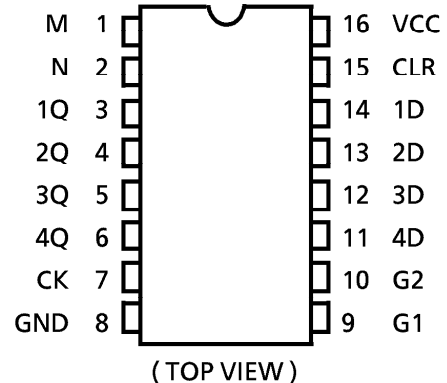


P (DIP16-P-300-2.54A)  
Weight : 1.00g (Typ.)

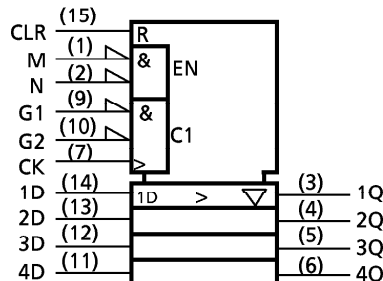


F (SOP16-P-300-1.27)  
Weight : 0.18g (Typ.)

### PIN ASSIGNMENT



### IEC LOGIC SYMBOL



961001EBA2

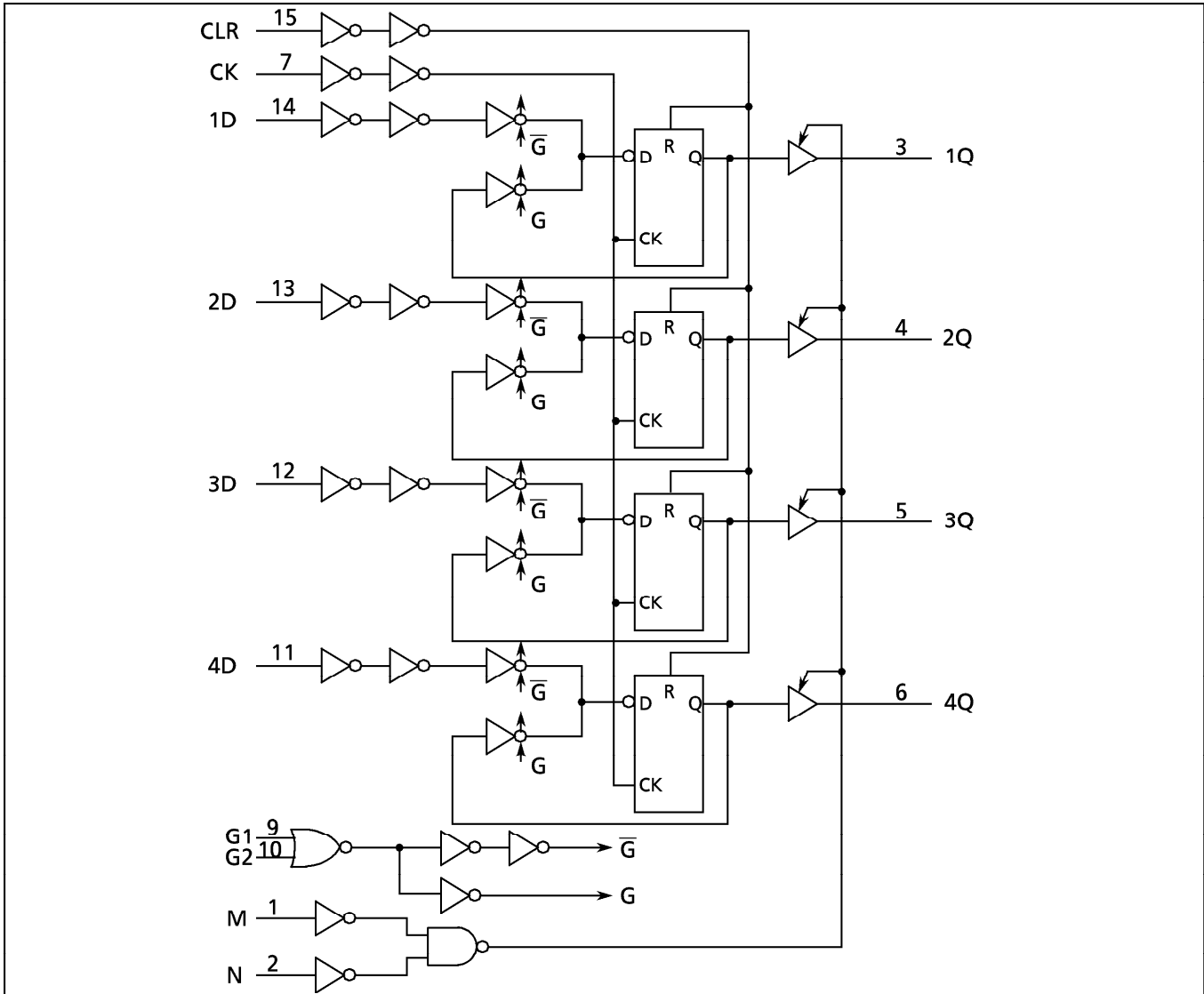
● TOSHIBA is continually working to improve the quality and the reliability of its products. Nevertheless, semiconductor devices in general can malfunction or fail due to their inherent electrical sensitivity and vulnerability to physical stress. It is the responsibility of the buyer, when utilizing TOSHIBA products, to observe standards of safety, and to avoid situations in which a malfunction or failure of a TOSHIBA product could cause loss of human life, bodily injury or damage to property. In developing your designs, please ensure that TOSHIBA products are used within specified operating ranges as set forth in the most recent products specifications. Also, please keep in mind the precautions and conditions set forth in the TOSHIBA Semiconductor Reliability Handbook.

TRUTH TABLE

CLR	CK	DATA INABLE		Dn	OUTPUT CONTROL		Qn
		G1	G2		M	N	
X	X	X	X	X	H	X	Z
X	X	X	X	X	X	H	Z
H	X	X	X	X	L	L	L
L		X	X	X	L	L	Q0
L		H	X	X	L	L	Q0
L		X	H	X	L	L	Q0
L		L	L	H	L	L	H
L		L	L	L	L	L	L

H : Don't Care  
Z : High Impedance

SYSTEM DIAGRAM



961001EBA2'

- The products described in this document are subject to foreign exchange and foreign trade control laws.
- The information contained herein is presented only as a guide for the applications of our products. No responsibility is assumed by TOSHIBA CORPORATION for any infringements of intellectual property or other rights of the third parties which may result from its use. No license is granted by implication or otherwise under any intellectual property or other rights of TOSHIBA CORPORATION or others.
- The information contained herein is subject to change without notice.

**ABSOLUTE MAXIMUM RATINGS**

PARAMETER	SYMBOL	VALUE	UNIT
Supply Voltage Range	$V_{CC}$	-0.5~7	V
DC Input Voltage	$V_{IN}$	-0.5~ $V_{CC} + 0.5$	V
DC Output Voltage	$V_{OUT}$	-0.5~ $V_{CC} + 0.5$	V
Input Diode Current	$I_{IK}$	± 20	mA
Output Diode Current	$I_{OK}$	± 20	mA
DC Output Current	$I_{OUT}$	± 35	mA
DC $V_{CC}$ / Ground Current	$I_{CC}$	± 75	mA
Power Dissipation	$P_D$	500 (DIP)* / 180 (SOP)	mW
Storage Temperature	$T_{stg}$	-65~150	°C

\*500mW in the range of  $T_a = -40^{\circ}\text{C} \sim 65^{\circ}\text{C}$ . From  $T_a = 65^{\circ}\text{C}$  to  $85^{\circ}\text{C}$  a derating factor of  $-10\text{mW}/^{\circ}\text{C}$  shall be applied until 300mW.

**RECOMMENDED OPERATING CONDITIONS**

PARAMETER	SYMBOL	VALUE	UNIT
Supply Voltage	$V_{CC}$	2~6	V
Input Voltage	$V_{IN}$	0~ $V_{CC}$	V
Output Voltage	$V_{OUT}$	0~ $V_{CC}$	V
Operating Temperature	$T_{opr}$	-40~85	°C
Input Rise and Fall Time	$t_r, t_f$	0~ 1000 ( $V_{CC} = 2.0\text{V}$ ) 0~ 500 ( $V_{CC} = 4.5\text{V}$ ) 0~ 400 ( $V_{CC} = 6.0\text{V}$ )	ns

**DC ELECTRICAL CHARACTERISTICS**

PARAMETER	SYMBOL	TEST CONDITION	$V_{CC}$ (V)	$T_a = 25^{\circ}\text{C}$			$T_a = -40 \sim 85^{\circ}\text{C}$		UNIT	
				MIN.	TYP.	MAX.	MIN.	MAX.		
High - Level Input Voltage	$V_{IH}$		2.0	1.50	—	—	1.50	—	V	
			4.5	3.15	—	—	3.15	—		
			6.0	4.20	—	—	4.20	—		
Low - Level Input Voltage	$V_{IL}$		2.0	—	—	0.50	—	0.50	V	
			4.5	—	—	1.35	—	1.35		
			6.0	—	—	1.80	—	1.80		
High - Level Output Voltage	$V_{OH}$	$V_{IN} = V_{IH}$ or $V_{IL}$	$I_{OH} = -20\mu\text{A}$	2.0	1.9	2.0	—	1.9	V	
				4.5	4.4	4.5	—	4.4		—
				6.0	5.9	6.0	—	5.9		—
High - Level Output Voltage	$V_{OH}$	$V_{IN} = V_{IH}$ or $V_{IL}$	$I_{OH} = -6\text{ mA}$ $I_{OH} = -7.8\text{mA}$	4.5	4.18	4.31	—	4.13	V	
				6.0	5.68	5.80	—	5.63		—
				6.0	—	—	—	—		—
Low - Level Output Voltage	$V_{OL}$	$V_{IN} = V_{IH}$ or $V_{IL}$	$I_{OL} = 20\mu\text{A}$	2.0	—	0.0	0.1	—	0.1	V
				4.5	—	0.0	0.1	—	0.1	
				6.0	—	0.0	0.1	—	0.1	
Low - Level Output Voltage	$V_{OL}$	$V_{IN} = V_{IH}$ or $V_{IL}$	$I_{OL} = 6\text{ mA}$ $I_{OL} = 7.8\text{mA}$	4.5	—	0.17	0.26	—	0.33	V
				6.0	—	0.18	0.26	—	0.33	
				6.0	—	—	—	—	—	
3 - State Output Off - State Current	$I_{OZ}$	$V_{IN} = V_{IH}$ or $V_{IL}$ $V_{OUT} = V_{CC}$ or GND	6.0	—	—	± 0.5	—	± 5.0	$\mu\text{A}$	
Input Leakage Current	$I_{IN}$	$V_{IN} = V_{CC}$ or GND	6.0	—	—	± 0.1	—	± 1.0		
Quiescent Supply Current	$I_{CC}$	$V_{IN} = V_{CC}$ or GND	6.0	—	—	4.0	—	40.0		

TIMING REQUIREMENTS (Input  $t_r = t_f = 6\text{ns}$ )

PARAMETER	SYMBOL	TEST CONDITION	Ta = 25°C			Ta = -40~85°C		UNIT
			V <sub>CC</sub> (V)	TYP.	LIMIT	LIMIT		
Minimum Pulse Width (CK)	$t_{W(L)}$ $t_{W(H)}$		2.0	—	75	95		ns
			4.5	—	15	19		
			6.0	—	13	16		
Minimum Pulse Width (CLR)	$t_{W(H)}$		2.0	—	75	95		
			4.5	—	15	19		
			6.0	—	13	16		
Minimum Set-up Time (G1, G2)	$t_s$		2.0	—	100	125		
			4.5	—	20	25		
			6.0	—	17	21		
Minimum Set-up Time (D)	$t_s$		2.0	—	75	95		
			4.5	—	15	19		
			6.0	—	13	16		
Minimum Hold Time (G1, G2, D)	$t_h$		2.0	—	0	0		
			4.5	—	0	0		
			6.0	—	0	0		
Minimum Removal Time (CLR)	$t_{rem}$		2.0	—	5	5		
			4.5	—	5	5		
			6.0	—	5	5		
Clock Frequency	f		2.0	—	9	7		
			4.5	—	43	34		
			6.0	—	51	40		

AC ELECTRICAL CHARACTERISTICS (Input  $t_r = t_f = 6\text{ns}$ )

PARAMETER	SYMBOL	TEST CONDITION	Ta = 25°C			Ta = -40~85°C		UNIT		
			CL (pF)	V <sub>CC</sub> (V)	MIN.	TYP.	MAX.		MIN.	MAX.
Output Transition Time	$t_{TLH}$ $t_{THL}$		50	2.0	—	20	60	—	75	ns
				4.5	—	6	12	—	15	
				6.0	—	5	10	—	13	
Propagation Delay Time (CK-Q)	$t_{PLH}$ $t_{PHL}$		50	2.0	—	50	115	—	145	
				4.5	—	15	23	—	29	
				6.0	—	12	20	—	25	
			150	2.0	—	65	155	—	195	
				4.5	—	20	31	—	39	
				6.0	—	16	26	—	33	
Propagation Delay Time (CLR-Q)	$t_{PHL}$		50	2.0	—	50	115	—	145	
				4.5	—	15	23	—	29	
				6.0	—	12	20	—	25	
			150	2.0	—	63	155	—	195	
				4.5	—	20	31	—	39	
				6.0	—	16	26	—	33	
Output Enable time	$t_{PzL}$ $t_{PzH}$	$R_L = 1\text{k}\Omega$	50	2.0	—	50	115	—	145	
				4.5	—	15	23	—	29	
				6.0	—	12	20	—	25	
			150	2.0	—	63	115	—	195	
				4.5	—	20	31	—	39	
				6.0	—	16	26	—	33	
Output Disable time	$t_{PLZ}$ $t_{PHZ}$	$R_L = 1\text{k}\Omega$	50	2.0	—	36	135	—	170	
				4.5	—	17	27	—	34	
				6.0	—	15	23	—	29	
Maximum Clock Frequency	$f_{MAX}$		50	2.0	9	20	—	7	MHz	
				4.5	43	67	—	34		
				6.0	51	84	—	40		
Input Capacitance	$C_{IN}$				—	5	10	pF		
Output Capacitance	$C_{OUT}$				—	10	—			
Power Dissipation Capacitance	$C_{PD} (1)$				—	45	—			

Note (1)  $C_{PD}$  is defined as the value of the internal equivalent capacitance which is calculated from the operating current consumption without load.

Average operating current can be obtained by the equation :

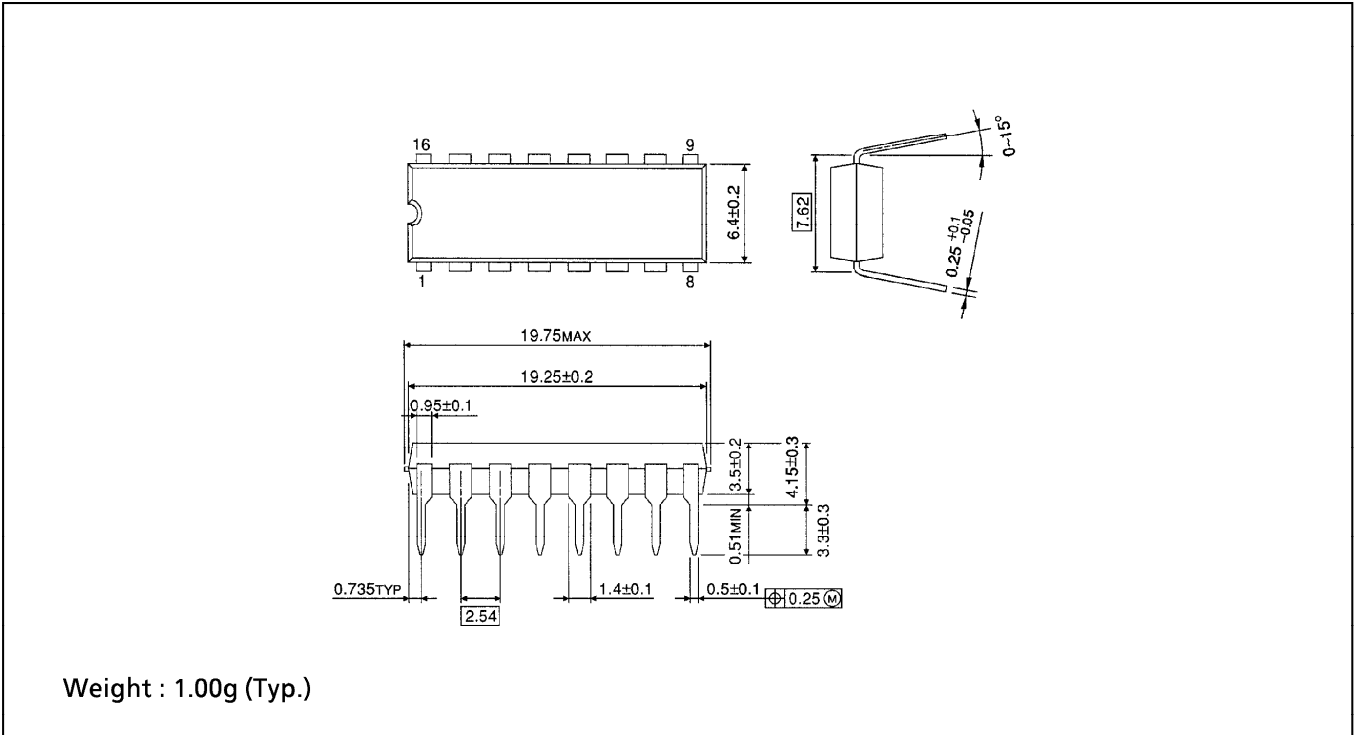
$$I_{CC}(\text{opr}) = C_{PD} \cdot V_{CC} \cdot f_{IN} + I_{CC}$$

And the total  $C_{PD}$  when n pcs of Flip Flop operate be gained by the following equation :

$$CPD(\text{total}) = 28 + 17 \cdot n$$

**DIP 16PIN OUTLINE DRAWING (DIP16-P-300-2.54A)**

Unit in mm



**SOP 16PIN (200mil BODY) OUTLINE DRAWING (SOP16-P-300-1.27)**

Unit in mm

