

LOC
A1

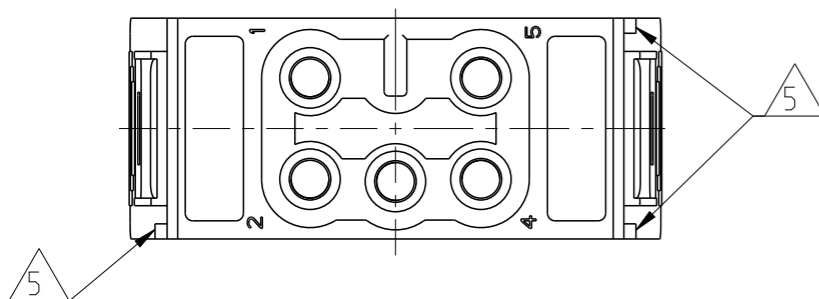
DIST

REVISIONS

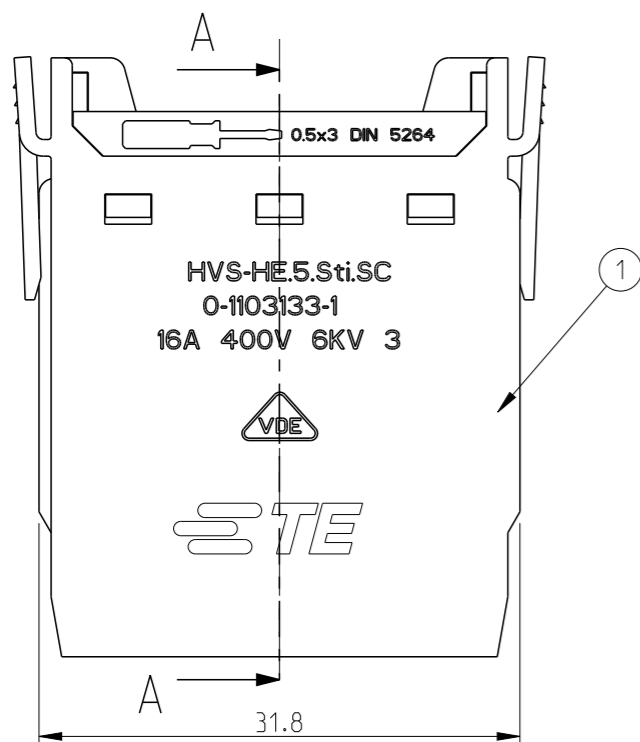
P	LTR	DESCRIPTION	DATE	DWN	APVD
	B3	ECR - 10 - 001843	09FEB2010	GW	OH
	C1	ECR-10-019610	21SEP2010	SR	OH
	D	ECR-15-007486	06JUN2015	GSK	JB

PN 0-1 As Shown

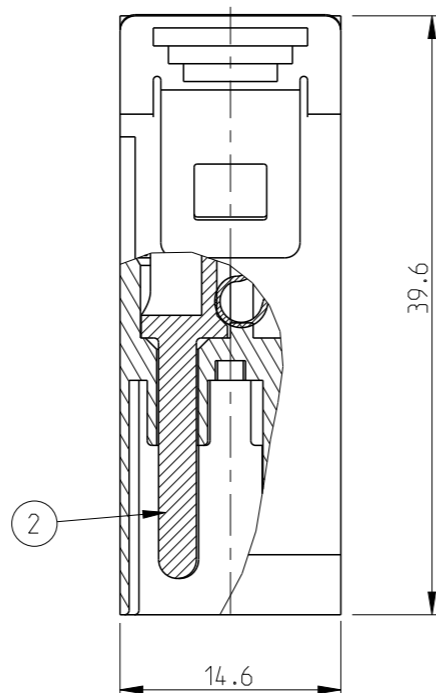
Contact arrangement
view from connecting side



Lateral Print



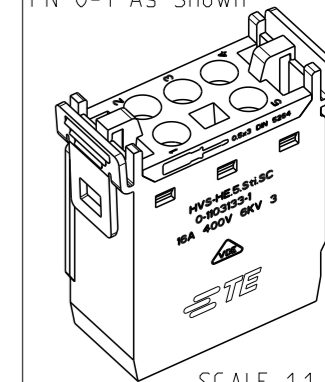
SECTION A-A



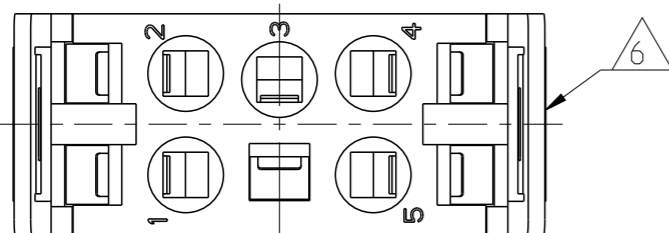
NOTES

- CONTACT:1 TO 5
OUTER DIMENSIONS OF INSULATION: MAX. Ø4.9mm
- SUITABLE MODULE FIXING FRAME: SERIES HVS SIZE 3 TO 8
CUSTOMER DRAWING: 1103250
- SUITABLE INSERTION AND EXTRACTION TOOL:
SCREW DRIVER 0.3x5 DIN 5264
- STANDARDS:
DIN EN 61984; DIN EN 60664-1
- POLARIZATION RIBS
- MARKING OF POLARIZATION ACCORDING TO MARKING OF
MODULE FRAME
- PACKAGING:
10 SETS IN A CARTON, PRE-MOUNTED
- AUTHORIZATION VDE

PN 0-1 As Shown



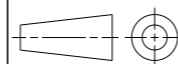
Contact arrangement
view from termination side



QTY	DESCRIPTION	MATERIAL	SURFACE	COLOR	NOTE	ITEM
1	MALE INSERT HVS-HE.5	PBT-GF10		LIGHT GREY		1
5	PIN CONTACT					2
1	COVER HVS-HE.5	PBT-GF15		LIGHT GREY		3

THIS DRAWING IS A CONTROLLED DOCUMENT.

DIMENSIONS:
mm



MATERIAL

TOLERANCES UNLESS
OTHERWISE SPECIFIED:
ISO 8075
DIN 150 2768 mh-E
DIN 16901-120

0	PLC	±
1	PLC	±
2	PLC	±
3	PLC	±
4	PLC	±
ANGLES		±
FINISH		

FINISH

DWN 31.05.2005

M.SCHWEIGER

CHK 31.05.2005

T.SCHNURPFIL

APVD 31.05.2005

T.SCHNURPFIL

PRODUCT SPEC

108-74071

APPLICATION SPEC

114-74073

WEIGHT

CUSTOMER DRAWING

NAME

MALE INSERT ASSY
HVS-HE.5.STI.SC

SIZE

A3 00779

CAGE CODE

C=1103133

DRAWING NO

RESTRICTED TO

SCALE 2:1

SHEET 1 OF 1

REV D

