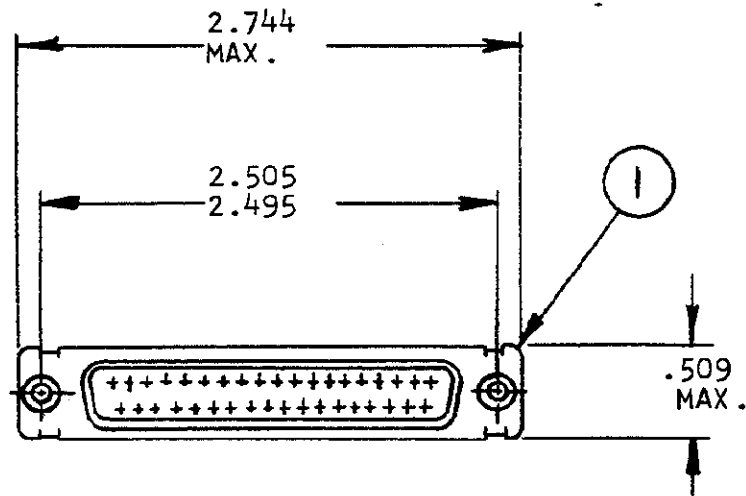


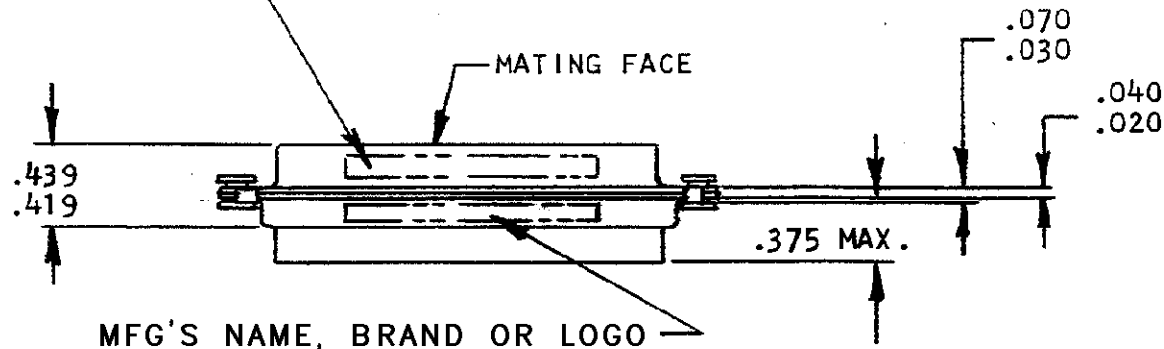
© 1971 BY AMP INCORPORATED. ALL RIGHTS RESERVED. AMP PRODUCTS COVERED BY PATENTS AND/OR PATENTS PENDING.

REVISIONS				
ZONE	LTR	DESCRIPTION	DATE	APPROVED
B		REV. PER ECN C-320	4/13/73	JTS
C		REV. PER ECN C-878	3/19/74	DR
D		REV. PER ECN D-019	5/15/79	AJ
E		REV. PER ECN DF-0021, DF-0160 & R2670	1-13-88	EAM
F		ECO-08-023688	11-08	BW

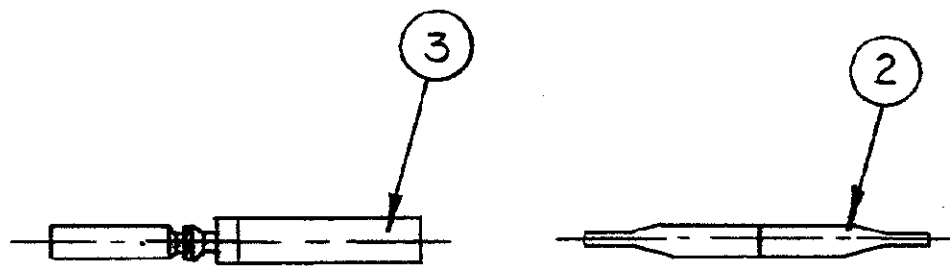
⚠ APPROPRIATE P/N (KIT) IS MARKED ON PACKAGE



MILITARY P/N M24308/2-26F MARKED, FAR SIDE



MFG'S NAME, BRAND OR LOGO MARKED, FAR SIDE



205485	205485	205485	UNLESS OTHERWISE SPECIFIED DIMENSIONS ARE IN INCHES TOLERANCES ON: DECIMALS ± # ANGLES ± #	CONTRACT NO.	AMP INCORPORATED HARRISBURG, PENNSYLVANIA	
3	2	1	MATERIAL	DR. <i>L. Morington</i> 4/13/73	AMP	
4	4	1	1	CHK <i>Raymond</i> 4/12/73	KIT "HDM" SERIES	
1	1	1	1	APPD <i>Dick Baer</i> 4-23-73	RECEPTACLE, SIZE # 4	
1	1	1	1	REV <i>Schubertshell</i> 1-14-73	SIZE B	CODE IDENT NO. 00779
1	1	1	1	DSGN APPD	NUMBER 205485	REV F
1	1	1	1	OTHER APPD	SCALE #	SHEET 1 OF 1

SUPSD BY 205485-2 & 91067-2
 SUPSD BY 205419-1 & 91067-2

ⓐ	1	1	1	MILITARY P/N M24308/2-37F MARKED ON PACKAGE		
ⓐ	1	1	1	MILITARY P/N M24308/2-26F MARKED ON PACKAGE		
	4	4	1	B 205090-1	CONTACT, SOCKET, SIZE 20	3
	1	1	1	B 91067-2	INSERTION & EXTRACTION TOOL	2
	1	1	1	B 205419-1	RECEPTACLE ASS'Y. SIZE #4	1
	3	2	1	DWG SIZE	NUMBER	ITEM NO.