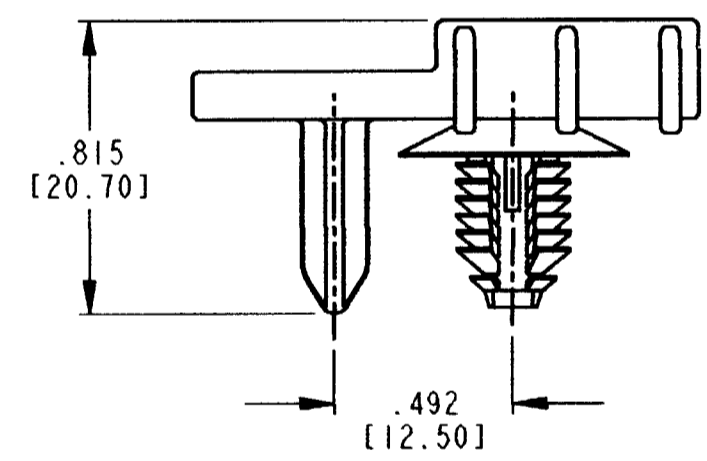
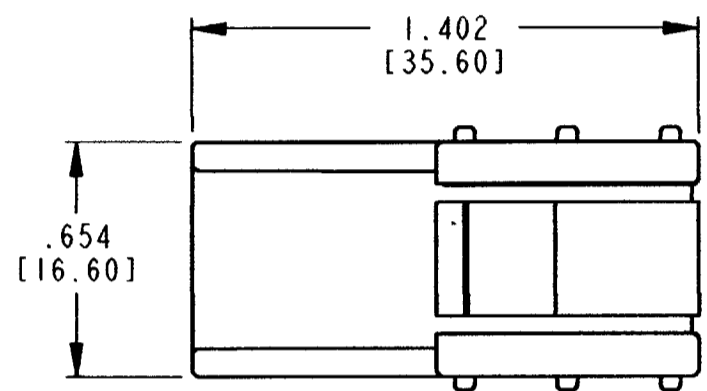
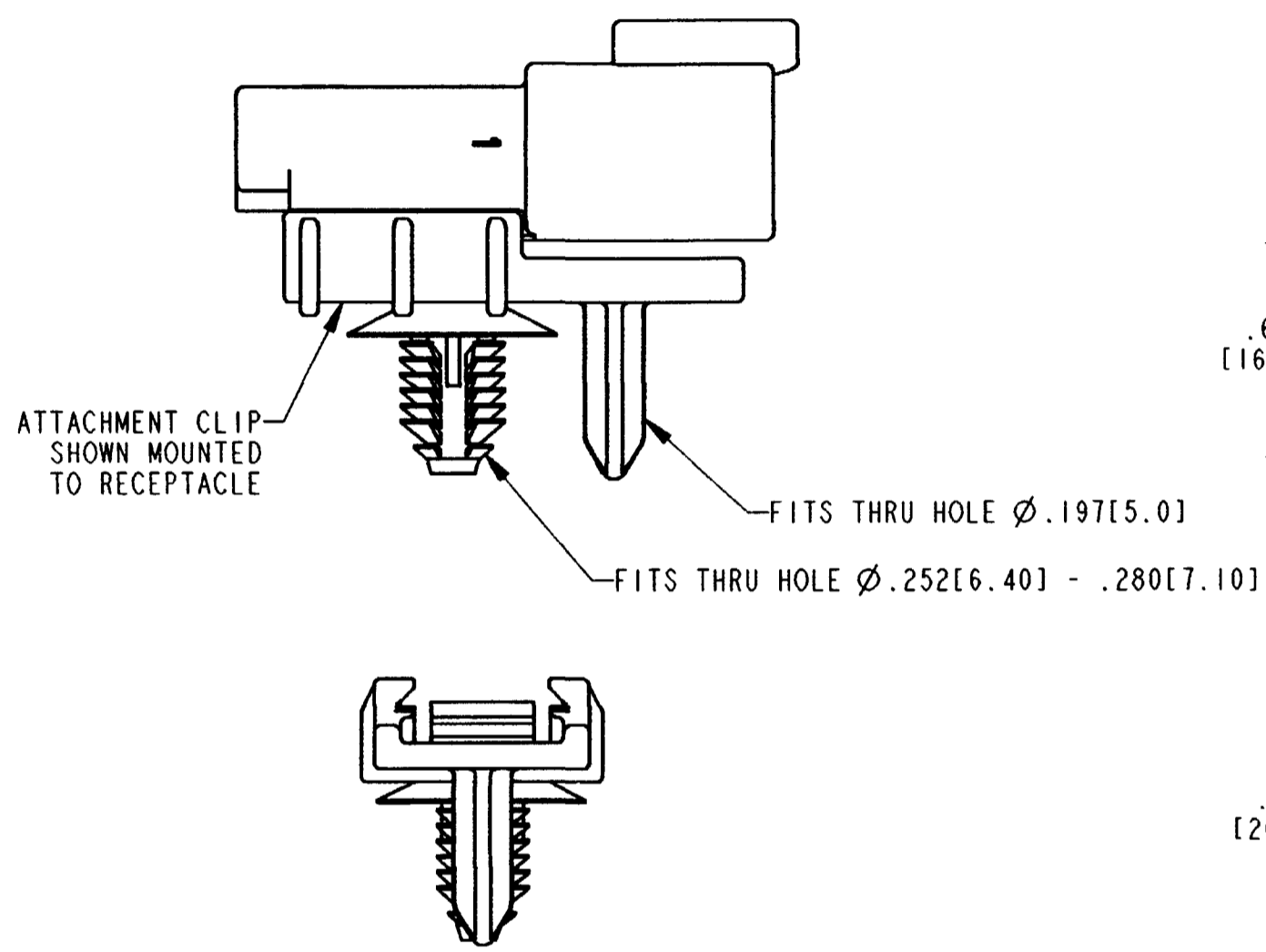


REV	1011-310-0205	REVISIONS			
NC		SYM	DESCRIPTION	DATE	APPROVED
		NC	NEW RELEASE PER E.O. P19587	7-23-07	RDR



- NOTES:
1. ALL DIMENSIONS ARE IN INCHES [MILLIMETERS].
 2. ALL DIMENSIONS ARE $\pm .025$ [0.63] UNLESS OTHERWISE SPECIFIED.
 3. MATERIAL: PLASTIC; COLOR: BLACK
 4. THIS CLIP MATES WITH DT04-2P/3P/4P/6P/12P AND DTM04-2P THRU 12P.
 5. RECOMMENDED PANEL THICKNESS: .028[0.70] - .201[5.10].

SIGNATURE & DATE	
DR	R. MESSENGER 7/13/07
CHK	Jami C. Gantel 7/20/07
PE	A. Weber 7/16/07
APPD	J. Beard 7/19/07
SCALE	NONE WT

ATTACHMENT CLIP
FOR RECEPTACLES
FIR TREE STUD MOUNT
DT & DTM SERIES

ENVELOPE

EP	MATL. CODE
3850 INDUSTRIAL AVE. HEMET, CA 92545	
DEUTSCH INDUSTRIAL	
B	1011-310-0205
DWG SIZE	CODE 11139 SHEET OF