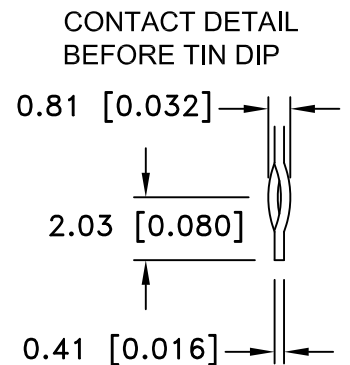
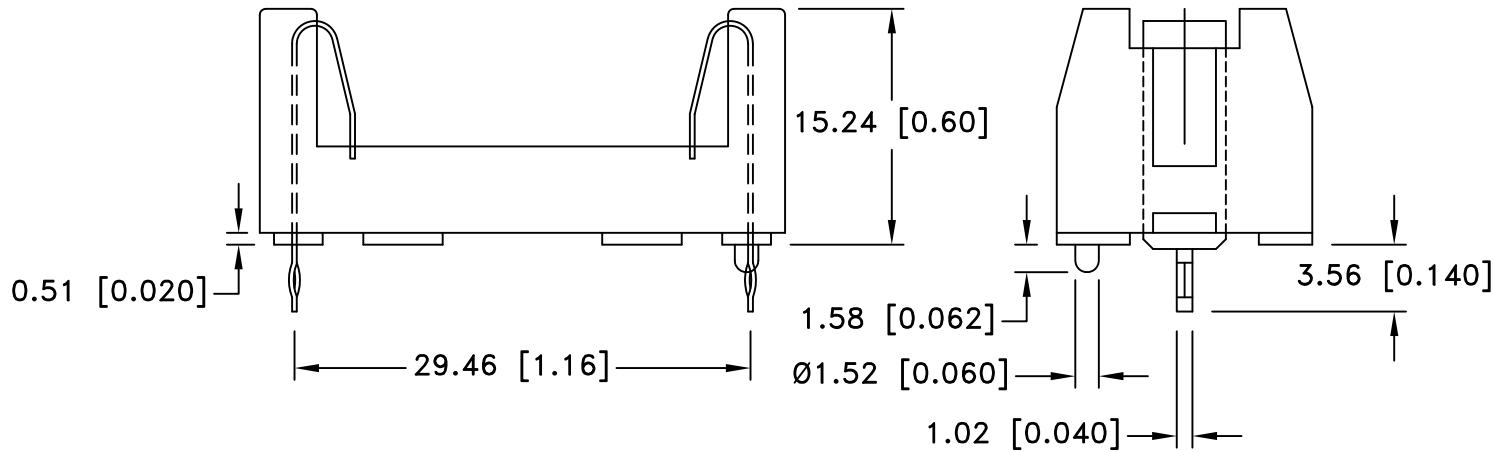
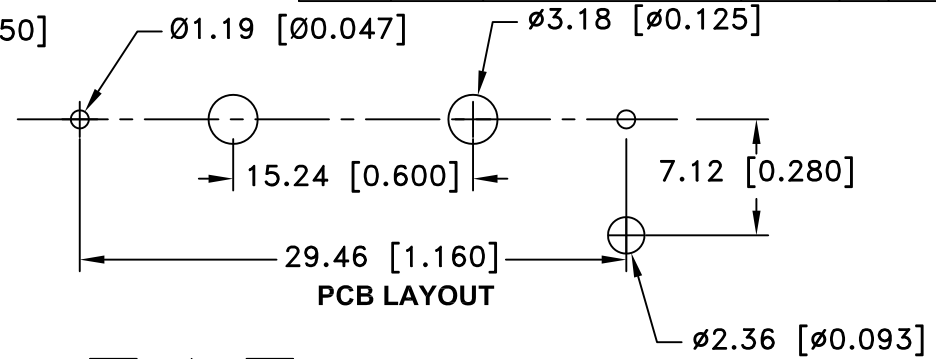


Date	SYM	REVISION RECORD	AUTH	DR.	CK.
6/12/09	B	DIM. $\phi 1.19$ WAS $\phi 1.17$	T.B.	B.S.	
05/14/10	C	DIM. 3.56 WAS 4.57	T.B.	B.S.	
07/15/11	D	UPDATED SPECIFICATION	T.B.	B.S.	




SPECIFICATIONS:

HOLDER MATERIAL: BLACK PBT
 FLAMABILITY RATING:UL94V-0, FILE #E53829
 CONTACTS: 302 SPRING TEMPER STAINLESS STEEL, NICKLE
 PLATED OVERALL, TIN DIPPED PCB TAILS
 DIELECTRIC STRENGTH: 560 VOLTS/MIL AT 25°C FOR 5 SEC.
 TEMPERATURE RANGE: -55°C TO +180°C
 RESISTANCE TO SOLVENTS: XYLENE, ETHYL , BUTYL, MRTHYL,
 PROPYL ALCOHOL, ETHYL ACETATE,
 HEPTANE, TOLUENE, REFRIGERANT

ROHS COMPLIANT

NOTES:

EYELET STIMPSON STYLE#A1883 0.110" OD x 0.190" FLANGE
 FLANGE RECESS $\phi 0.250$ " x 0.125" DEEP
 ACCEPTS STANDARD 2-56 MACHINE SCREWS

Tolerance (Except as noted)	 Memory Protection Devices, Inc 200 Broad Hollow Road, Farmingdale, New York 11735	Scale	Drawn By B.S.
			Approved By T.B.
decimal $\pm .5$ (.020)	Title 1/2AA BATTERY HOLDER, PCB MOUNTING		
Fractional $\pm .8$ (.030)		Date 07/15/11	Drawing Number 815-0931
Angular $\pm 3^\circ$			