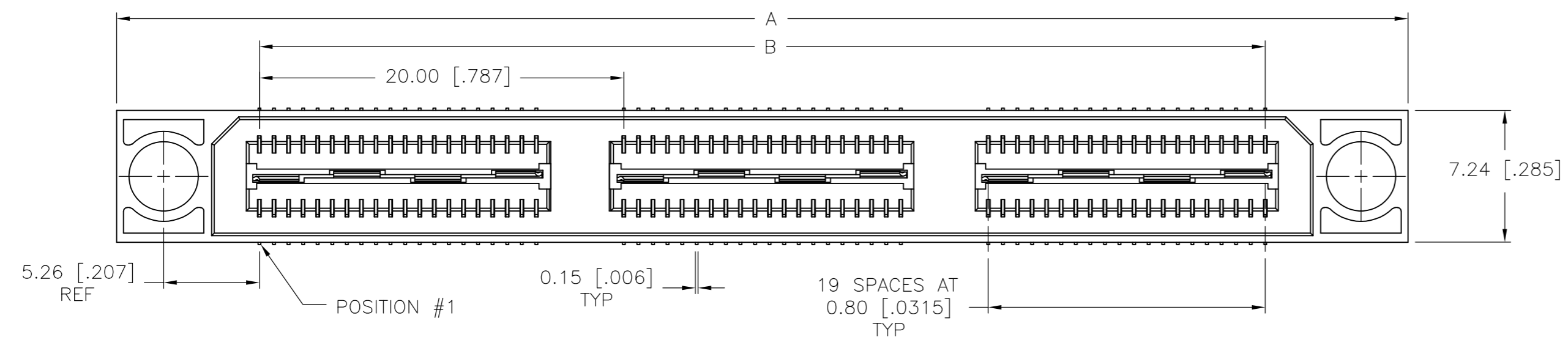
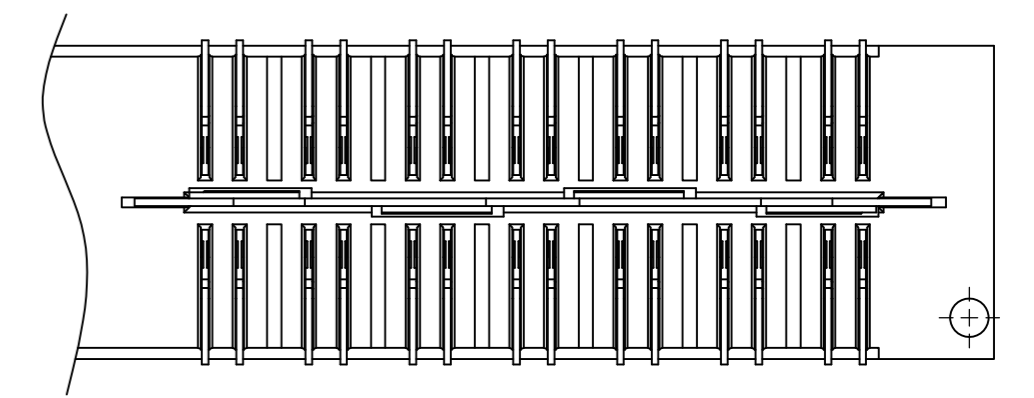
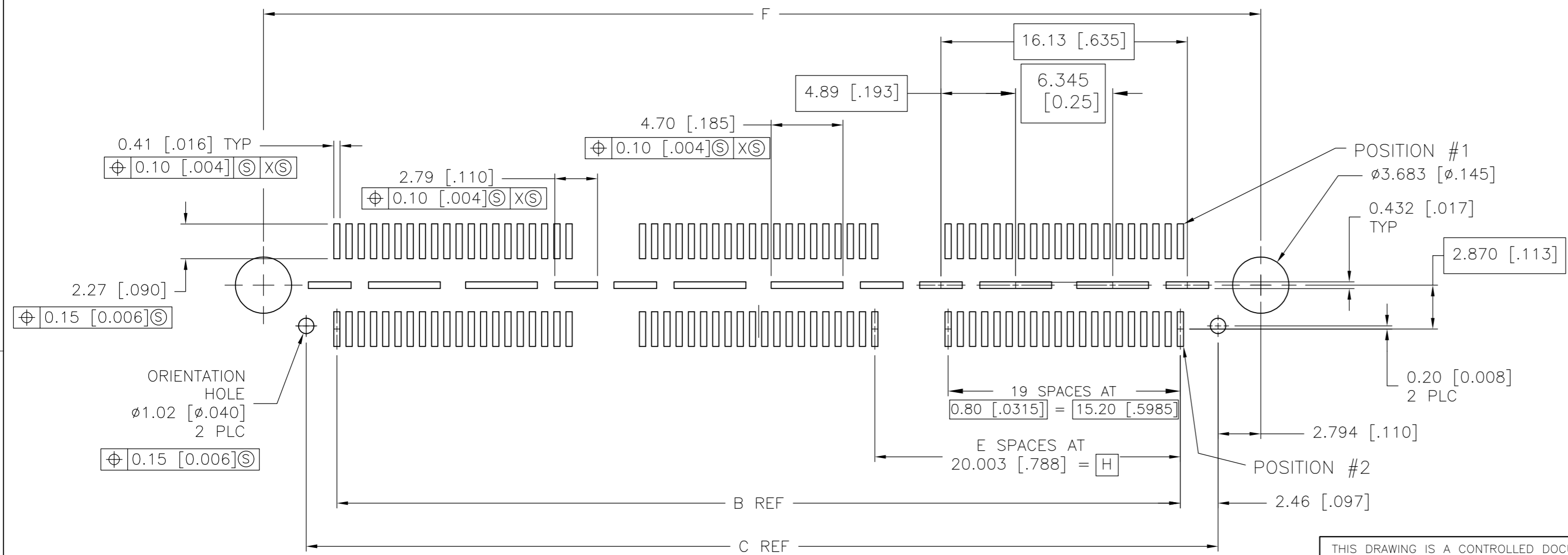
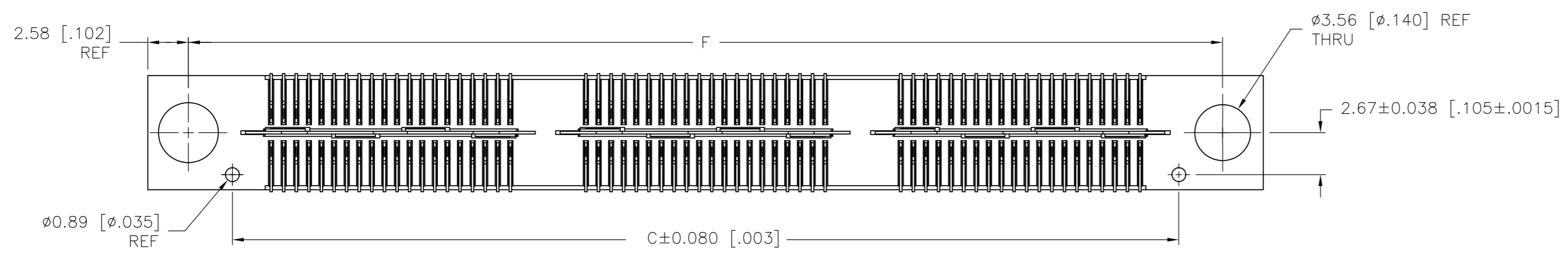
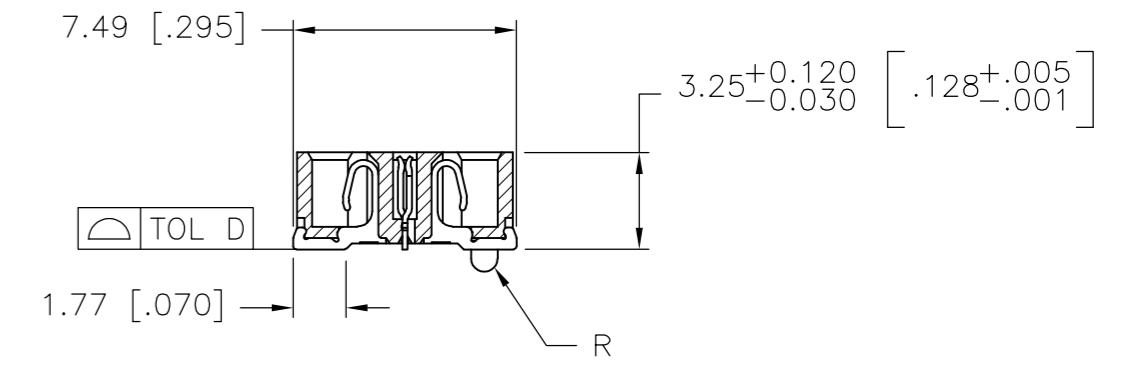
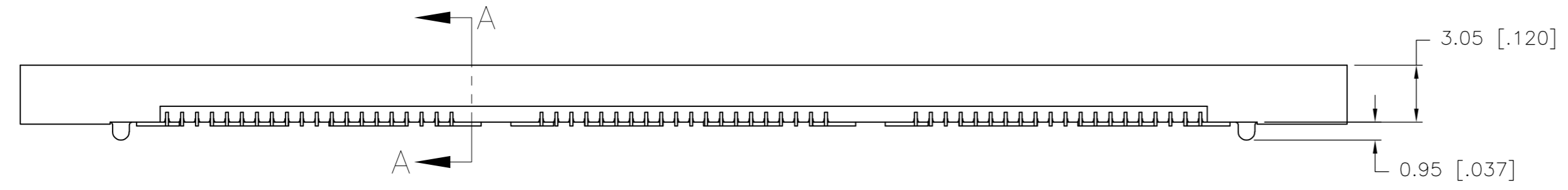


THIS DRAWING IS UNPUBLISHED. RELEASED FOR PUBLICATION
 © COPYRIGHT BY TYCO ELECTRONICS CORPORATION. ALL RIGHTS RESERVED.

LOC		DIST		REVISIONS			
P	LTR	DESCRIPTION	DATE	DWN	APVD		
AD	00	L	REVISED PER ECO-07-024671	05NOV07	DH	DD	



- 1 HOUSING: LCP, BLACK.
CONTACT & GROUND PLANE: PHOS BRONZE.
- 2 CONTACT PLATING: SELECT GOLD FLASH.
- 3 FOR STANDARD APPLICATIONS, ORIENTATION HOLE TO BE $\phi 1.02$ [$\phi 0.040$].

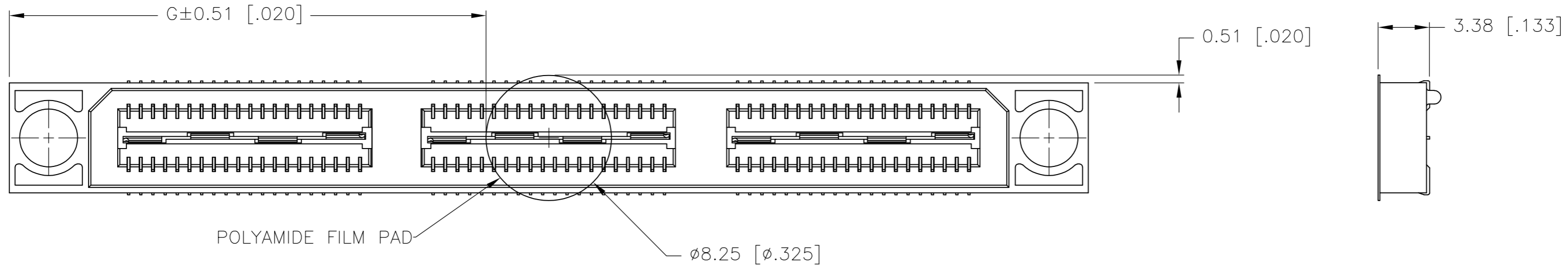


DIFFERENTIAL PAIR LOADING
(BOTTOM VIEW)
SCALE 2:1

THIS DRAWING IS A CONTROLLED DOCUMENT.		DWN	26FEB03	Tyco Electronics Corporation Harrisburg, PA 17105-3608			
DIMENSIONS:		CHK	26FEB03				
mm [INCHES]		APVD	26FEB03				
TOLERANCES UNLESS OTHERWISE SPECIFIED:		PRODUCT SPEC					
0 PLC ± - 1 PLC ± 0.3[.01] 2 PLC ± 0.13[.005] 3 PLC ± 0.051[.0020] 4 PLC ± - ANGLES ± 2°		APPLICATION SPEC		NAME	RECEPTACLE ASSEMBLY, VERTICAL 0.80MM CL, MICTOR SB		
MATERIAL	FINISH	WEIGHT		SIZE	CAGE CODE	DRAWING NO	RESTRICTED TO
1	2	-		A2	00779	C=1658071	-
CUSTOMER DRAWING				SCALE	1:1	SHEET	1 OF 2
				REV	L		

THIS DRAWING IS UNPUBLISHED. RELEASED FOR PUBLICATION
 © COPYRIGHT BY TYCO ELECTRONICS CORPORATION. ALL RIGHTS RESERVED.

LOC	DIST	REVISIONS					
AD	00	P	LTR	DESCRIPTION	DATE	DWN	APVD
		-	-	SEE SHEET 1	-	-	-



20.00(.7874)	21.32(.839)	45.72(1.800)	1	0.102(.0040)	40.13(1.580)	35.20(1.386)	50.90(2.004)	YES	POCKET TAPE	YES	56	7-1658071-2
0(.000)	11.32(.446)	25.72(1.013)	0	0.102(.0040)	20.13(.793)	15.20(.598)	30.90(1.217)	YES	POCKET TAPE	YES	28	7-1658071-1
20.00(.7874)	21.32(.839)	45.72(1.800)	1	0.102(.0040)	40.13(1.580)	35.20(1.386)	50.90(2.004)	YES	POCKET TAPE	NO	80	6-1658071-2
0(.000)	11.32(.446)	25.72(1.013)	0	0.102(.0040)	20.13(.793)	15.20(.598)	30.90(1.217)	YES	POCKET TAPE	NO	40	6-1658071-1
20.00(.7874)	-	45.72(1.800)	1	0.102(.0040)	40.13(1.580)	35.20(1.386)	50.90(2.004)	NO	POCKET TAPE	YES	56	5-1658071-2
0(.000)	-	25.72(1.013)	0	0.102(.0040)	20.13(.793)	15.20(.598)	30.90(1.217)	NO	POCKET TAPE	YES	28	5-1658071-1
20.00(.7874)	-	45.72(1.800)	1	0.102(.0040)	40.13(1.580)	35.20(1.386)	50.90(2.004)	NO	POCKET TAPE	NO	80	4-1658071-2
0(.000)	-	25.72(1.013)	0	0.102(.0040)	20.13(.793)	15.20(.598)	30.90(1.217)	NO	POCKET TAPE	NO	40	4-1658071-1
80.00(3.150)	51.32(2.020)	105.72(4.162)	4	0.152(.0060)	100.14(3.943)	95.20(3.748)	110.91(4.367)	YES	TRAY	YES	140	3-1658071-5
60.00(2.362)	41.32(1.627)	85.72(3.375)	3	0.152(.0060)	80.14(3.155)	75.20(2.961)	90.91(3.579)	YES	TRAY	YES	112	3-1658071-4
40.00(1.575)	31.32(1.233)	65.72(2.587)	2	0.152(.0060)	60.13(2.368)	55.20(2.173)	70.90(2.791)	YES	TRAY	YES	84	3-1658071-3
20.00(.7874)	21.32(.839)	45.72(1.800)	1	0.102(.0040)	40.13(1.580)	35.20(1.386)	50.90(2.004)	YES	TRAY	YES	56	3-1658071-2
0(.000)	11.32(.446)	25.72(1.013)	0	0.102(.0040)	20.13(.793)	15.20(.598)	30.90(1.217)	YES	TRAY	YES	28	3-1658071-1
80.00(3.150)	51.32(2.020)	105.72(4.162)	4	0.152(.0060)	100.14(3.943)	95.20(3.748)	110.91(4.367)	YES	TRAY	NO	200	2-1658071-5
60.00(2.362)	41.32(1.627)	85.72(3.375)	3	0.152(.0060)	80.14(3.155)	75.20(2.961)	90.91(3.579)	YES	TRAY	NO	160	2-1658071-4
40.00(1.575)	31.32(1.233)	65.72(2.587)	2	0.152(.0060)	60.13(2.368)	55.20(2.173)	70.90(2.791)	YES	TRAY	NO	120	2-1658071-3
20.00(.7874)	21.32(.839)	45.72(1.800)	1	0.102(.0040)	40.13(1.580)	35.20(1.386)	50.90(2.004)	YES	TRAY	NO	80	2-1658071-2
0(.000)	11.32(.446)	25.72(1.013)	0	0.102(.0040)	20.13(.793)	15.20(.598)	30.90(1.217)	YES	TRAY	NO	40	2-1658071-1
80.00(3.150)	-	105.72(4.162)	4	0.152(.0060)	100.14(3.943)	95.20(3.748)	110.91(4.367)	NO	TRAY	YES	140	1-1658071-5
60.00(2.362)	-	85.72(3.375)	3	0.152(.0060)	80.14(3.155)	75.20(2.961)	90.91(3.579)	NO	TRAY	YES	112	1-1658071-4
40.00(1.575)	-	65.72(2.587)	2	0.152(.0060)	60.13(2.368)	55.20(2.173)	70.90(2.791)	NO	TRAY	YES	84	1-1658071-3
20.00(.7874)	-	45.72(1.800)	1	0.102(.0040)	40.13(1.580)	35.20(1.386)	50.90(2.004)	NO	TRAY	YES	56	1-1658071-2
0(.000)	-	25.72(1.013)	0	0.102(.0040)	20.13(.793)	15.20(.598)	30.90(1.217)	NO	TRAY	YES	28	1-1658071-1
80.00(3.150)	-	105.72(4.162)	4	0.152(.0060)	100.14(3.943)	95.20(3.748)	110.91(4.367)	NO	TRAY	NO	200	1658071-5
60.00(2.362)	-	85.72(3.375)	3	0.152(.0060)	80.14(3.155)	75.20(2.961)	90.91(3.579)	NO	TRAY	NO	160	1658071-4
40.00(1.575)	-	65.72(2.587)	2	0.152(.0060)	60.13(2.368)	55.20(2.173)	70.90(2.791)	NO	TRAY	NO	120	1658071-3
20.00(.7874)	-	45.72(1.800)	1	0.102(.0040)	40.13(1.580)	35.20(1.386)	50.90(2.004)	NO	TRAY	NO	80	1658071-2
0(.000)	-	25.72(1.013)	0	0.102(.0040)	20.13(.793)	15.20(.598)	30.90(1.217)	NO	TRAY	NO	40	1658071-1
H	G	F	E	D	C	B	A	POLYIMIDE FILM PAD ▲	PACKAGING TYPE	DIFF. PAIR	NO OF POS	PART NUMBER

THIS DRAWING IS A CONTROLLED DOCUMENT.

DWN B.CARBO 26FEB03
 CHK D.DIXON 26FEB03
 APVD D.DIXON 26FEB03

TOLERANCES UNLESS OTHERWISE SPECIFIED:
 0 PLC ± -
 1 PLC ± 0.3[.01]
 2 PLC ± 0.13[.005]
 3 PLC ± 0.051[.0020]
 4 PLC ± -
 ANGLES ± 2°

MATERIAL FINISH

WEIGHT -

CUSTOMER DRAWING

Tyco Electronics Corporation
 Harrisburg, PA 17105-3608

RECEPTACLE ASSEMBLY, VERTICAL,
 0.80MM CL,
 MICTOR SB

SIZE A2 CAGE CODE 00779 DRAWING NO. C=1658071 RESTRICTED TO -

SCALE 1:1 SHEET 2 OF 2 REV L