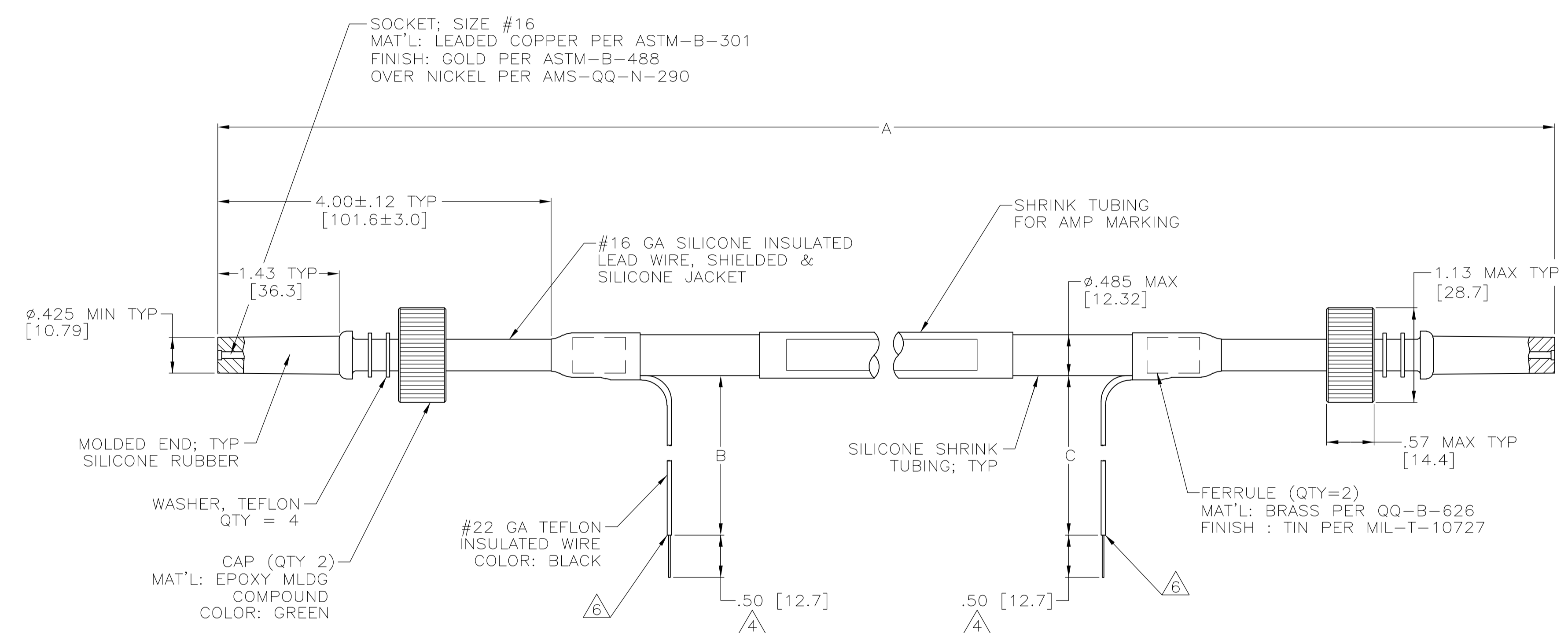


THIS DRAWING IS UNPUBLISHED.		RELEASED FOR PUBLICATION		- N/A -	
COPYRIGHT N/A		BY TYCO ELECTRONICS CORPORATION		ALL RIGHTS RESERVED.	
PART NO.	A	B	C	REMARKS	
848075-1	14.00 [355.6]	6.00 [152.4]	-	4	OBSOLETE
848075-2	32.00 [812.8]	6.00 [152.4]	-	4	OBSOLETE
848075-3	40.00 [1016.0]	6.00 [152.4]	-	4	OBSOLETE
848075-4	80.00 [2032.0]	12.00 [304.8]	12.00 [304.8]	4	
848075-5	22.50 [571.5]	6.00 [152.4]	6.00 [152.4]	4	OBSOLETE
848075-6	199.00 [5054.6]	6.00 [152.4]	6.00 [152.4]	4	OBSOLETE
848075-7	134.00 [3403.6]	6.00 [152.4]	6.00 [152.4]	4	OBSOLETE
848075-8	473.00 [12014.2]	6.00 [152.4]	6.00 [152.4]	4	OBSOLETE
848075-9	488.00 [12395.2]	6.00 [152.4]	6.00 [152.4]	4	OBSOLETE
1-848075-0	146.00 [3708.4]	6.00 [152.4]	6.00 [152.4]	4	OBSOLETE
1-848075-1	106.00 [2692.4]	6.00 [152.4]	6.00 [152.4]	4	OBSOLETE
1-848075-2	136.00 [3454.4]	6.00 [152.4]	6.00 [152.4]	4	
1-848075-3	544.00 [13817.6]	6.00 [152.4]	6.00 [152.4]	4	
1-848075-4	220.00 [5588.0]	6.00 [152.4]	6.00 [152.4]	4	OBSOLETE
1-848075-5	24.00 [609.6]	6.00 [152.4]	-	4	OBSOLETE
1-848075-6	36.00 [914.4]	6.00 [152.4]	-	4	
1-848075-7	113.00 [2870.2]	6.00 [152.4]	6.00 [152.4]	4	
1-848075-8	177.00 [4495.8]	6.00 [152.4]	6.00 [152.4]	4	OBSOLETE
1-848075-9	193.00 [4902.2]	6.00 [152.4]	6.00 [152.4]	4	OBSOLETE
2-848075-0	206.00 [5232.4]	6.00 [152.4]	6.00 [152.4]	4	OBSOLETE
2-848075-1	210.00 [5334.0]	6.00 [152.4]	6.00 [152.4]	4	OBSOLETE
2-848075-2	48.00 [1219.2]	6.00 [152.4]	6.00 [152.4]	4	
2-848075-3	23.62 [599.9]	6.00 [152.4]	6.00 [152.4]	4	OBSOLETE
2-848075-4	72.00 [1828.8]	6.00 [152.4]	6.00 [152.4]	4	OBSOLETE
2-848075-5	120.00 [3048.0]	6.00 [152.4]	6.00 [152.4]	4	OBSOLETE
2-848075-6	84.00 [2133.6]	6.00 [152.4]	6.00 [152.4]	4	OBSOLETE
2-848075-7	64.00 [1625.6]	6.00 [152.4]	6.00 [152.4]	4	
2-848075-8	92.00 [2336.8]	6.00 [152.4]	6.00 [152.4]	4	
2-848075-9	18.00 [457.2]	12.00 [304.8]	12.00 [304.8]	4	
3-848075-0	200.00 [5080.0]	6.00 [152.4]	6.00 [152.4]	4	OBSOLETE
3-848075-1	42.00 [1066.8]	6.00 [152.4]	-	4	
3-848075-2	52.00 [1320.8]	6.00 [152.4]	-	4	
3-848075-3	19.00 [482.6]	6.00 [152.4]	-	4	
3-848075-4	27.00 [685.8]	6.00 [152.4]	-	4	
3-848075-5	35.00 [889.0]	6.00 [152.4]	-	4	
3-848075-6	51.00 [1295.4]	6.00 [152.4]	-	4	
3-848075-7	59.00 [1498.6]	6.00 [152.4]	-	4	
3-848075-8	67.00 [1701.8]	6.00 [152.4]	-	4	
8-848075-1	42.00 [1066.8]	6.00 [152.4]	-	6	
8-848075-3	19.00 [482.6]	6.00 [152.4]	-	6	
8-848075-4	27.00 [685.8]	6.00 [152.4]	-	6	
8-848075-5	35.00 [889.0]	6.00 [152.4]	-	6	
8-848075-6	51.00 [1295.4]	6.00 [152.4]	-	6	
8-848075-7	59.00 [1498.6]	6.00 [152.4]	-	6	
8-848075-8	67.00 [1701.8]	6.00 [152.4]	-	6	

LOC	DIST	REVISIONS					
DF	SO	P	LTR	DESCRIPTION	DATE	DWN	APVD
		T		REV PER ECO-05-003705	08-05	AA	DE

- 1. TOLERANCE OF LEAD LENGTH:
UP TO 24 INCHES [609.6] = ±.12 [±3.0]
24 INCHES [609.6] & UP = ±1%
- 2. MARKED PER MIL-STD-130.
- 3. TO MATE WITH AMP LGH-2
RECEPTACLE WITH 1.43 [36.3] BARREL DEPTH.
- 4. PIGTAIL IS SOLDER DIPPED.
- 5. OPERATING VOLTAGE: 30 KVDC AT 0 TO 70,000 FEET,
-55°C TO 125°C.
- 6. INSULATION CUT, BUT NOT REMOVED.



THIS DRAWING IS A CONTROLLED DOCUMENT.		DWN C.C.THOMAS 14-JUN-90	Tyco Electronics Corporation Harrisburg, Pa 17105-3608	
DIMENSIONS: INCHES (mm)		CHK D.EABY 30-JUL-90	APVD D.EABY 30-JUL-90	
TOLERANCES UNLESS OTHERWISE SPECIFIED:		NAME LEAD ASSY, DBL END SHIELDED AND SILICONE COVERED LGH-2		
0 PLC ± -		PRODUCT SPEC		
1 PLC ± -		APPLICATION SPEC		
2 PLC ± .02 [0.5]		SIZE A1		
3 PLC ± -		CAGE CODE 00779		
4 PLC ± -		DRAWING NO 848075		
ANGLES ± -		RESTRICTED TO		
FINISH SEE CALLOUTS		CUSTOMER DRAWING		
MATERIAL SEE CALLOUTS		SCALE 1:1 SHEET 1 OF 1 REV T		