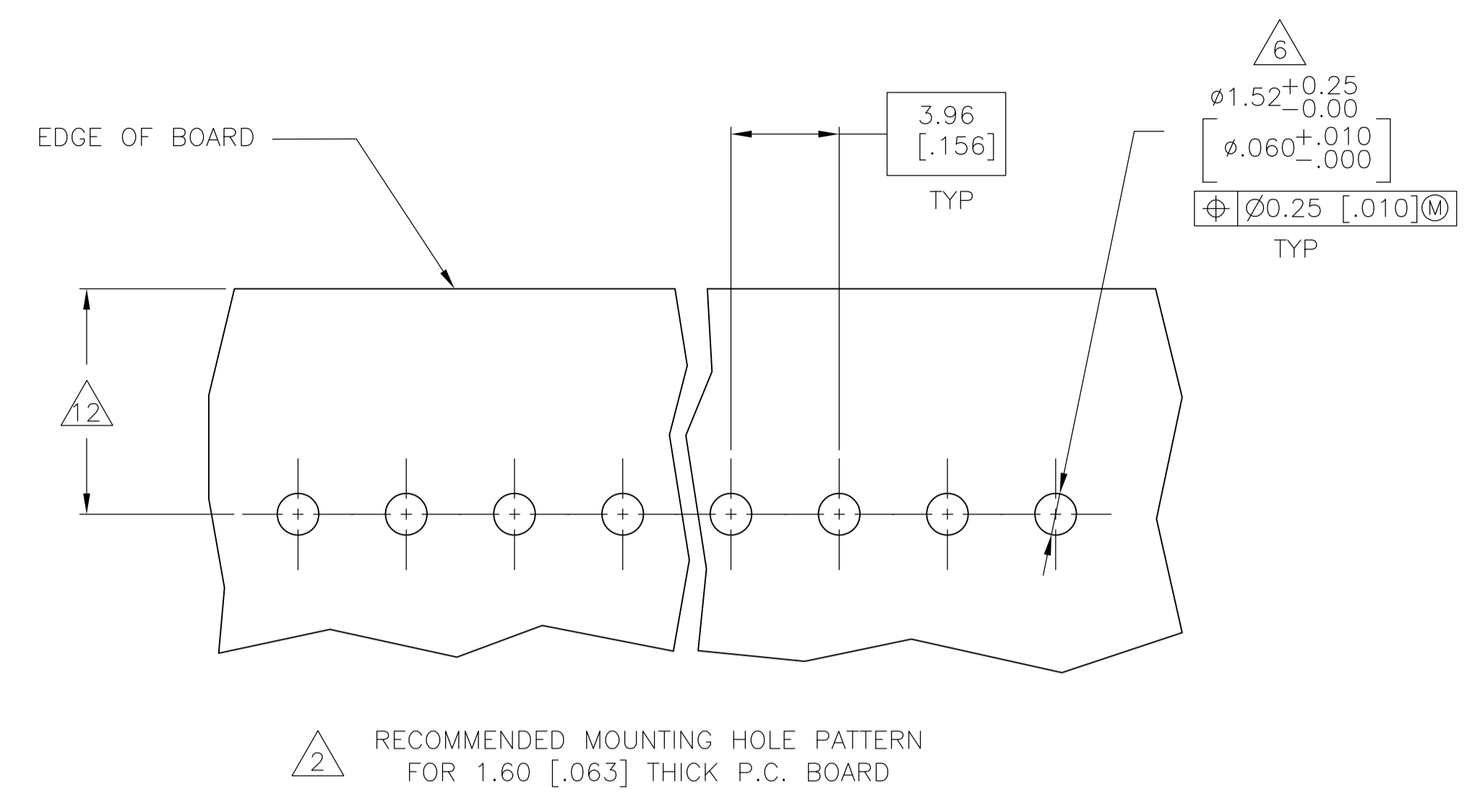
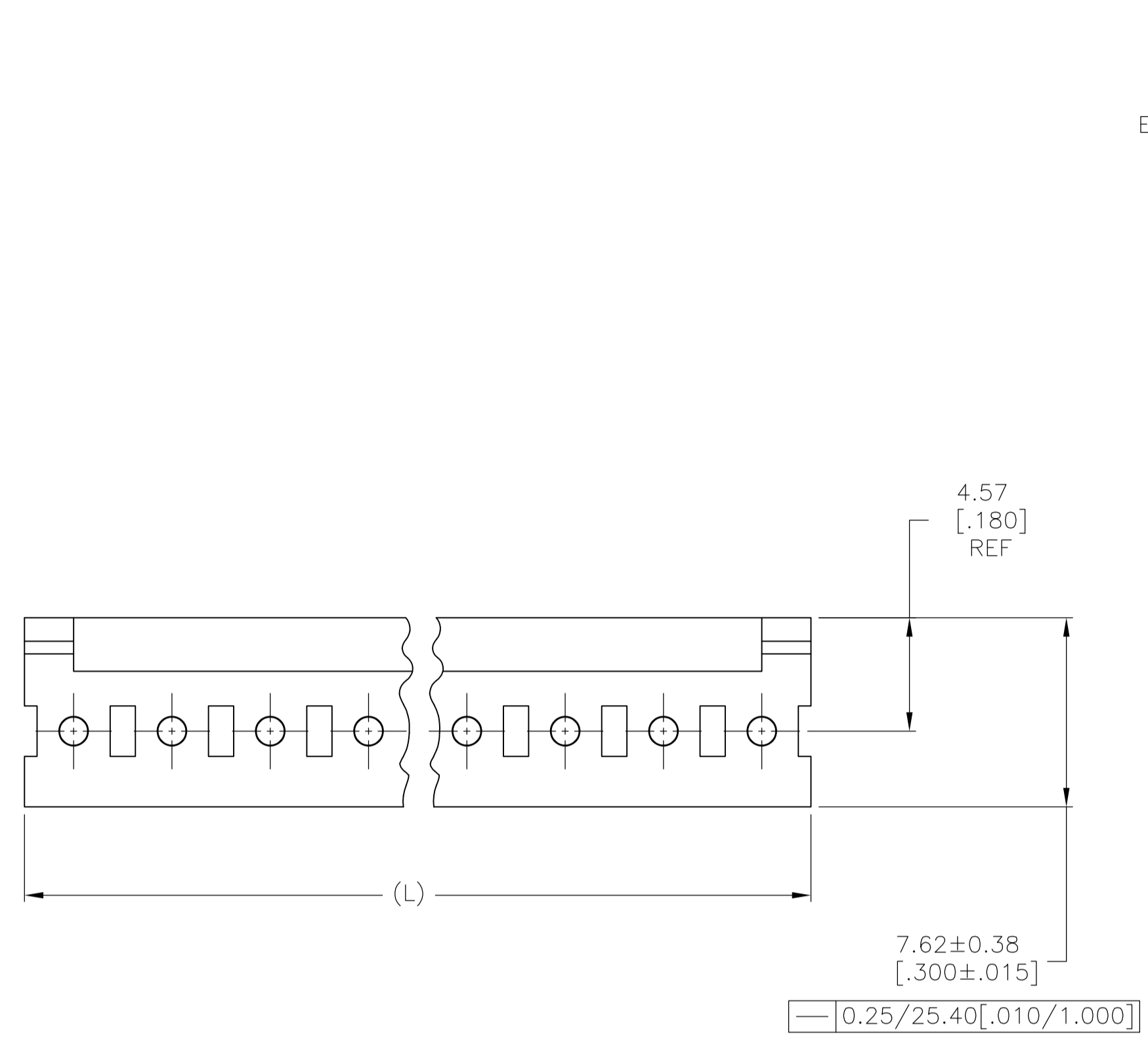
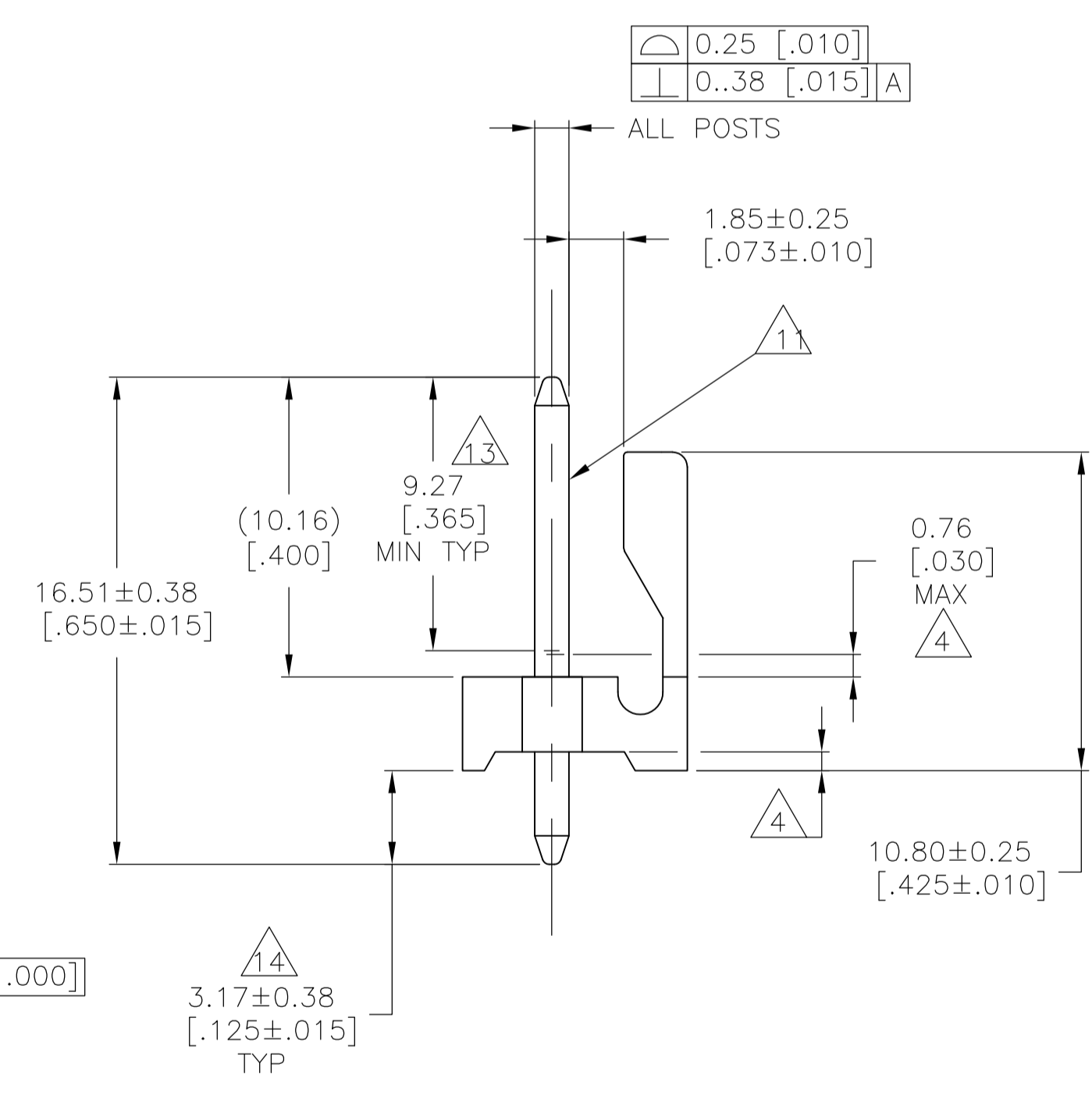
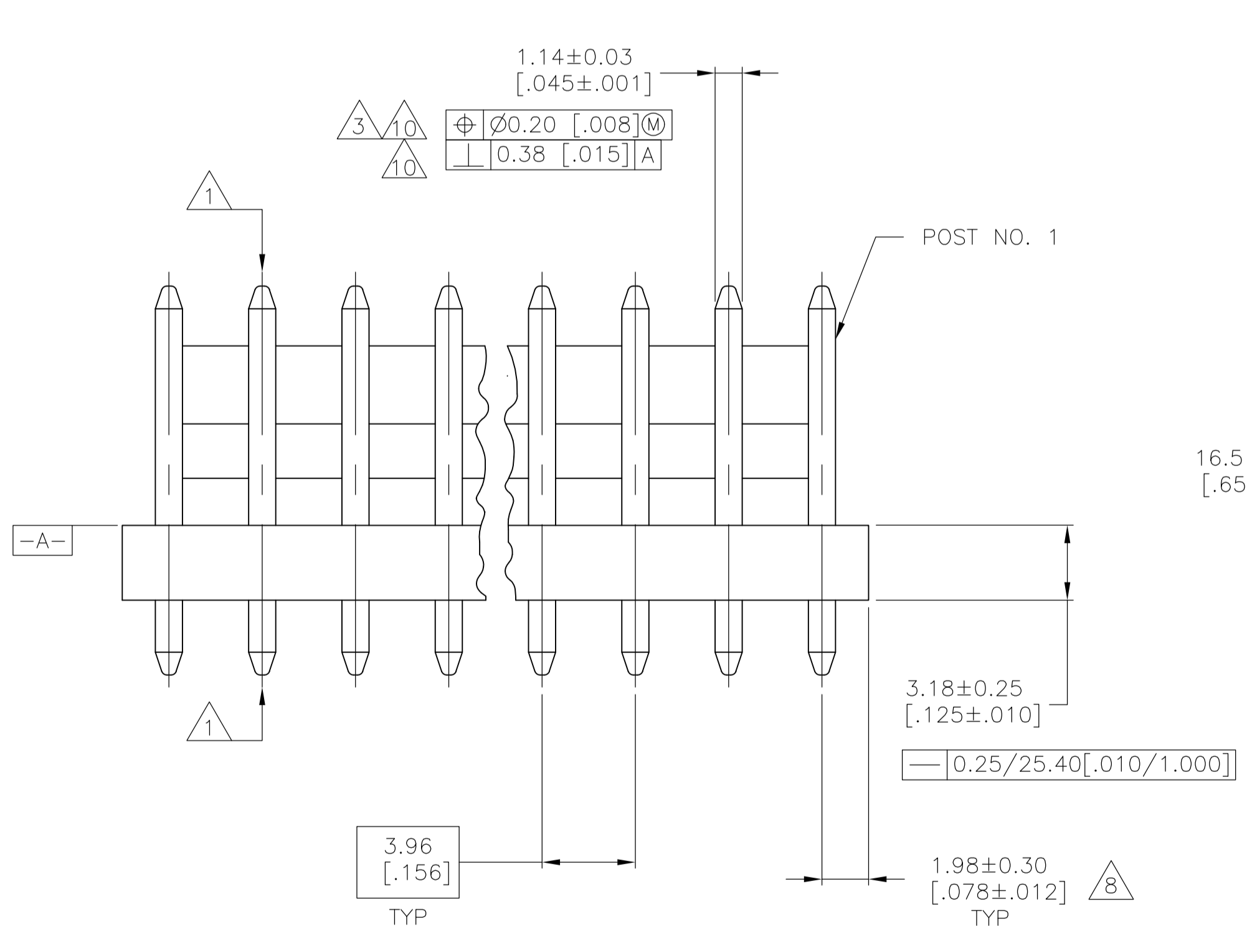


LOC		DIST		REVISIONS			
CM	00	REV	DATE	BY	APPV	DATE	BY
AK	REVISED PER ECO-12-016927		04OCT12	KH	SM		



- 1 POST TO WITHSTAND 13 NEWTONS (3 LBS) MINIMUM AXIAL FORCE IN BOTH DIRECTIONS SHOWN WITHOUT DISLODGING.
- 2 TOLERANCES APPLY TO SOLDER SIDE OF BOARD.
- 3 MEASURED AT SURFACE -A-
- 4 PLASTIC FLASH PERMITTED IN THIS AREA.
- 5 PARTS COMPLY WITH AMP SOLDERABILITY SPEC. NO. 109-11-2.
- 6 ONE HOLE MAY BE UNDERSIZED 1.30/1.17 [0.051/0.046] DIA. FOR ASSEMBLY RETENTION DURING WAVE SOLDERING.
- 7 MATERIAL: HEADER-THERMOPLASTIC POLYESTER GLASS-FILLED 94V-0 (NATURAL) POST-COPPER ALLOY (SEE NOTES 13 & 14 FOR PLATING)
- 8 COORDINATE DIMENSION APPLIES FROM CENTER OF ACTUAL FEATURE.
- 9 PLASTIC BURRS CAUSED BY CUT-OFF TOOLING ARE PERMITTED WITHIN THE MAXIMUM TOLERANCE ENVELOPE.
- 10 POST TO BE MEASURED WHEN STRIP IS HELD FLAT.
- 11 POST MUST WITHSTAND TWO 90° BENDS AGAINST EXTRUSION WITHOUT BREAKING.
- 12 DIMENSION SHOULD BE 4.45 [0.175] MIN WHEN MATING WITH A MTA-156 CONNECTOR ASSEMBLY OR A SL-156 CONNECTOR ASSEMBLY.
- 13 PLATING: GOLD PLATE AREA, 0.00076[0.000030] GOLD OR 0.00008[0.000003] MIN GOLD FLASH OVER 0.00068[0.000027] PALLADIUM NICKEL, PER TE CONNECTIVITY'S DISCRETION, ALL SIDES, OVER NICKEL UNDERPLATE, 0.00127[0.000050] MIN, ALL SIDES AND ENTIRE LENGTH OF POST.
- 14 PLATING: BRIGHT TIN/LEAD (93/7) PLATE AREA, 0.00381-0.00889 [0.00150-0.00350] THICK, ALL FOUR SIDES 3.18 [0.125] MINIMUM FOR -2 THRU -24. MATTE TIN PLATE AREA 0.00381-0.00889 [0.00150-0.00350] THICK ALL FOUR SIDES, 3.18 [0.125] FOR -32 THRU -54.
- 15 OBSOLETE PARTS: OBSOLETE CIS STREAMLINING PER D.RENAUD/D.SINISI



DIM (L)	NO.OF POSN	ASSEMBLY
95.10 [3.744]	24	5-641209-4
91.14 [3.588]	23	5-641209-3
87.17 [3.432]	22	5-641209-2
83.21 [3.276]	21	5-641209-1
79.25 [3.120]	20	5-641209-0
75.29 [2.964]	19	4-641209-9
71.32 [2.808]	18	4-641209-8
67.36 [2.652]	17	4-641209-7
63.40 [2.496]	16	4-641209-6
59.44 [2.340]	15	4-641209-5
55.47 [2.184]	14	4-641209-4
51.51 [2.028]	13	4-641209-3
47.55 [1.872]	12	4-641209-2
43.59 [1.716]	11	4-641209-1
39.62 [1.560]	10	4-641209-0
35.66 [1.404]	9	3-641209-9
31.70 [1.248]	8	3-641209-8
27.74 [1.092]	7	3-641209-7
23.77 [0.936]	6	3-641209-6
19.81 [0.780]	5	3-641209-5
15.85 [0.624]	4	3-641209-4
11.89 [0.468]	3	3-641209-3
7.92 [0.312]	2	3-641209-2

DIM (L)	NO.OF POSN	ASSEMBLY
95.10 [3.744]	24	2-641209-4
91.14 [3.588]	23	2-641209-3
87.17 [3.432]	22	2-641209-2
83.21 [3.276]	21	2-641209-1
79.25 [3.120]	20	2-641209-0
75.29 [2.964]	19	1-641209-9
71.32 [2.808]	18	1-641209-8
67.36 [2.652]	17	1-641209-7
63.40 [2.496]	16	1-641209-6
59.44 [2.340]	15	1-641209-5
55.47 [2.184]	14	1-641209-4
51.51 [2.028]	13	1-641209-3
47.55 [1.872]	12	1-641209-2
43.59 [1.716]	11	1-641209-1
39.62 [1.560]	10	1-641209-0
35.66 [1.404]	9	641209-9
31.70 [1.248]	8	641209-8
27.74 [1.092]	7	641209-7
23.77 [0.936]	6	641209-6
19.81 [0.780]	5	641209-5
15.85 [0.624]	4	641209-4
11.89 [0.468]	3	641209-3
7.92 [0.312]	2	641209-2

METRIC

THIS DRAWING IS A CONTROLLED DOCUMENT.

DIMENSIONS: mm [INCHES]	TOLERANCES UNLESS OTHERWISE SPECIFIED:	DIN S: HOOVER 07NOV02	TE Connectivity
0 PLC ± -	1 PLC ± -	CHK: D. ROSSI 07NOV02	NAME: MTA-156 HEADER ASSEMBLY, FRICTION LOCK, STRAIGHT, .045 ROUND POST, .000030 GOLD
2 PLC ± ± 0.13 [0.005]	3 PLC ± ± -	APPRO: D. ROSSI 07NOV02	PRODUCT SPEC: APPLICATION SPEC
4 PLC ± ± -	ANGLES ± ± -	FINISH: 7	RESTRICTED TO: -
MATERIAL: 7	FINISH: 7	WEIGHT: -	SIZE: A1
CUSTOMER DRAWING		SCALE: 5:1	SHEET 1 OF 1