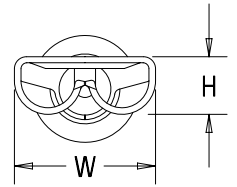


THIS COPY IS PROVIDED ON A RESTRICTED BASIS AND IS NOT TO BE USED IN ANY WAY DETRIMENTAL TO THE INTERESTS OF PANDUIT CORP.

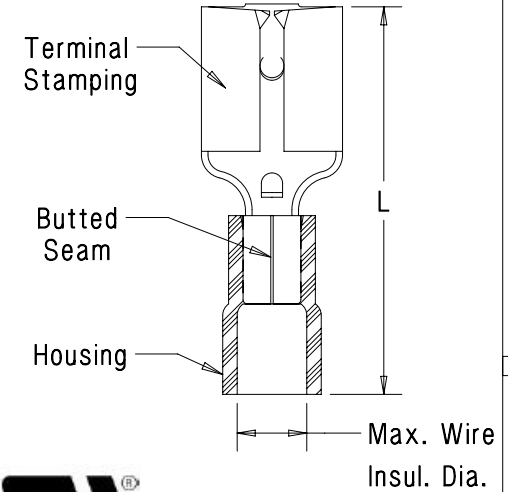
PANDUIT PART #	WIRE RANGE AWG [ mm <sup>2</sup> ]	TAB SIZE INCH [ mm ]	HOUSING COLOR	MAX. WIRE INSULATION DIA.	DIMENSIONS in. [ mm ]		
					L± .03 [ 0,8 ]	W± .01 [ 0,3 ]	H± .02 [ 0,5 ]
EDV18-188B	#22-18 [ 0,5-1,0 ]	.187 X .020 [ 4,8 X 0,5 ]	RED	.136 [ 3,45 ]	.79 [ 20,1 ]	.23 [ 5,8 ]	.10 [ 2,5 ]
EDV14-188B*	#16-14 [ 1,5-2,5 ]	.187 X .020 [ 4,8 X 0,5 ]	BLUE	.162 [ 4,11 ]	.79 [ 20,1 ]	.23 [ 5,8 ]	.10 [ 2,5 ]



\*UL RECOGNIZED ONLY

NOTES:

- UL LISTED AND CSA CERTIFIED FOR:
  - STRANDED COPPER WIRE ONLY
  - 221°F (105°C) MAX TEMP RATING
  - 600V MAX VOLTAGE
- MATERIAL:
  - STAMPING: .016" (0.41) THK BRASS, TIN PLATED
  - HOUSING: VINYL
- INSTALLATION TOOLS:
  - UL LISTED AND CSA CERTIFIED: CT-520, CT-1525
  - UL RECOGNIZED: CT-520, CT-1525
- WIRE STRIP LENGTH 1/4" <sup>+1/32</sup> <sub>-0</sub> [ 6.3mm <sup>+0.8</sup> <sub>-0</sub> ]
- FIRST INSERTION FORCE: 12 LB (53N) MAX  
 FIRST WITHDRAWAL FORCE: 12 LB (53N) MAX  
 6 LB (27N) MIN
- SEE WWW.PANDUIT.COM FOR PACKAGE QUANTITIES INDICATED BY PART NUMBER SUFFIX
- DIMENSIONS IN BRACKETS ARE METRIC EQUIVALENT



LISTED  
20H3  
E78522



CERTIFIED  
LR31212



RECOGNIZED  
E78522

TITLE <b>STRONGHOLD FEMALE DISCONNECT (188 SERIES)                  VINYL INSULATED, BUTTED SEAM #22-14 AWG</b>	
CUSTOMER DRAWING	
ITEM REVISION NAME	00123STL/00
DATASET FILE NAME	00123STL/00
UNLESS OTHERWISE SPECIFIED, DIMENSIONAL TOLERANCES ARE: IN [ mm ] .x ± .1 [ 2.54 ]      .xxx ± .005 [ .127 ] .xx ± .01 [ .25 ]      ANGLES ± 5 °	
MATERIAL: SEE NOTES	
DRAWING NUMBER: SH41554	
DRAWN BY JHNU	DATE 2/18
CHK TMR	SCALE NTS
SHT 1 OF 1	
SIZE A	

REV	DATE	BY	CHK	APR	DESCRIPTION	ECN
00	2/18	JHNU	TMR	RGB	RELEASED	00123SH

D10100DA/20