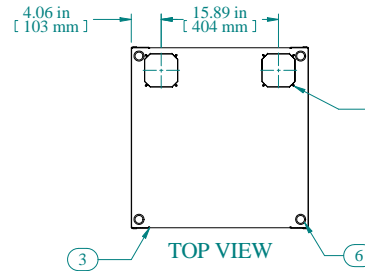
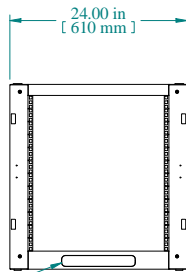
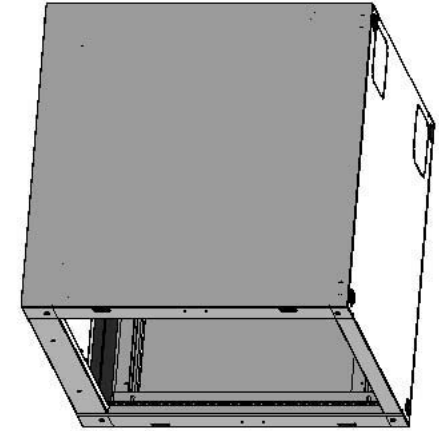


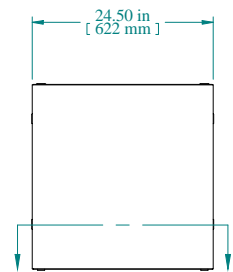
SECTION A-A



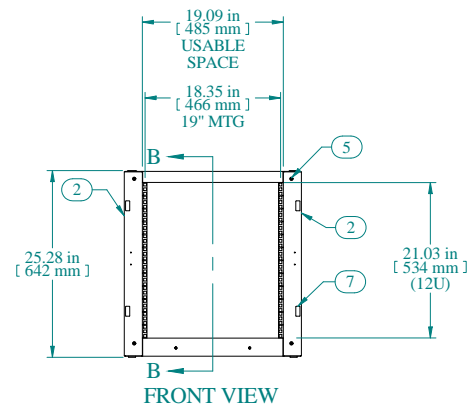
TOP VIEW



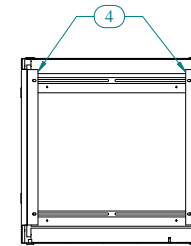
REAR VIEW



SIDE VIEW

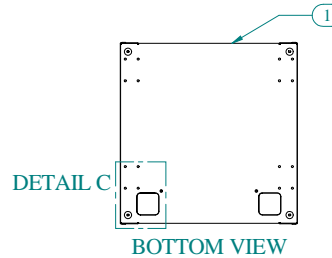
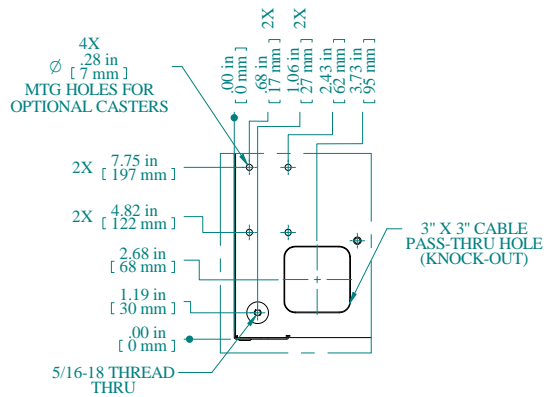


FRONT VIEW



SECTION B-B

1.50 X 10.00 GLAND OPENING (KNOCK-OUT)



Item Number	Title	Quantity
1	RCSC - BOTTOM PANEL	1
2	RCSC - SIDE FRAME	2
3	RCSC - TOP PANEL	1
4	RCSC - 12U PUNCHED PANEL RAIL	4
5	SCREW M6 X 1.0 X 12MM	8
6	PLUG - 1.00" DIA. HOLE	4
7	PLUG - 0.38" X 1.13" CUTOUT	8

PART NUMBERS

RCSC1902124BK1	PAINTED BLACK TEXTURED
----------------	------------------------

NOTES

Shipped knockdown for handling ease & protection
See Hammond Website for Additional Accessories

Data subject to change without notice. Isometric drawing not to scale.

**HAMMOND
MANUFACTURING™**

www.hammondmfg.com

PART NO. RCSC1902124