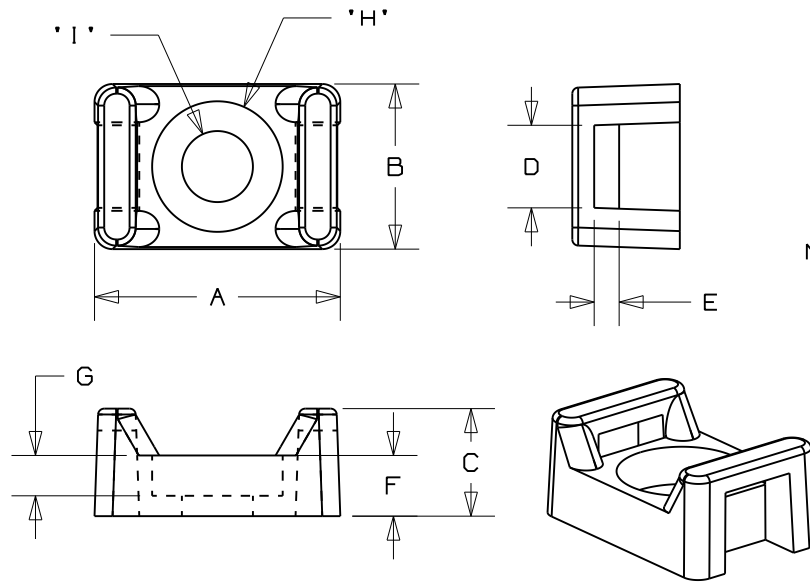


THIS COPY IS PROVIDED ON A RESTRICTED BASIS AND IS NOT TO BE USED IN ANY WAY DETRIMENTAL TO THE INTERESTS OF PANDUIT CORP.

PANDUIT PART #	RECOMMENDED FASTENER	A	B	C	D +.015 (+.38) -.005 (-.13)	E	F	G (REF)	H (REF)	I (REF)	USE WITH CABLE TIE CROSS SECTIONS	WEIGHT 100 pcs lbs (g)
TM2S8-71	#8 (M4) SCREW	.636 (16.2)	.427 (10.8)	.278 (7.1)	.215 (5.5)	.063 (1.6)	.158 (4.0)	.110 (2.8)	.335 (8.5)	.184 (4.7)	MINIATURE INTERMEDIATE STANDARD	.13 (60)



NOTES:

1. SEE CURRENT PRICE SHEET FOR PART NUMBER SUFFIX DESIGNATION FOR PACKAGE SIZE.
2. COUNTERBORE HOLE TO PROVIDE LESS OF AN OBSTRUCTION TO THE BUNDLE.
3. UNIQUE CRADLE DESIGN PROVIDES MAXIMUM STABILITY AND RIGIDITY TO THE WIRE BUNDLE.
4. MATERIAL HAS A UL RELATIVE THERMAL INDEX RATING OF 500°F (260°C).
5. MATERIAL FLAMMABILITY RATING: UL94V-0.
6. EXCELLENT RESISTANCE TO MOST CHEMICALS.

DIMENSIONS IN PARENTHESIS ARE IN METRIC UNITS

CAD FILENAME/LAYERS W10001DV/00 SS-27629

PANDUIT CORP. TINLEY PARK, ILLINOIS

TM2 TIE MOUNTS
PEEK SERIES

UNLESS OTHERWISE SPECIFIED,
DIMENSIONAL TOLERANCES ARE:
(.X) ± .1 (2.5) (.XXX) ± .020 (.51)
(.XX) ± .02 (.5) ANGLES ± 5°

UNLESS OTHERWISE SPECIFIED,
ALL DIMENSIONS ARE GIVEN
IN INCHES, THIRD ANGLE PROJECTION.

DRAWN BY
BWG

MAT'L:

SCALE NONE

DATE
2/10/10

PEEK

DRAWING NO.

DWG

CHK'D
MPH

COLOR: -71 BROWN

SS-27629

SIZE

R	2/10/10	BWG	MPH	DRAWING RELEASED	SS-27629	R	BOBK					
REV	DATE	BY	CHK	DESCRIPTION	ECN	R	CUST	SUP				