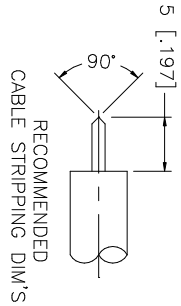
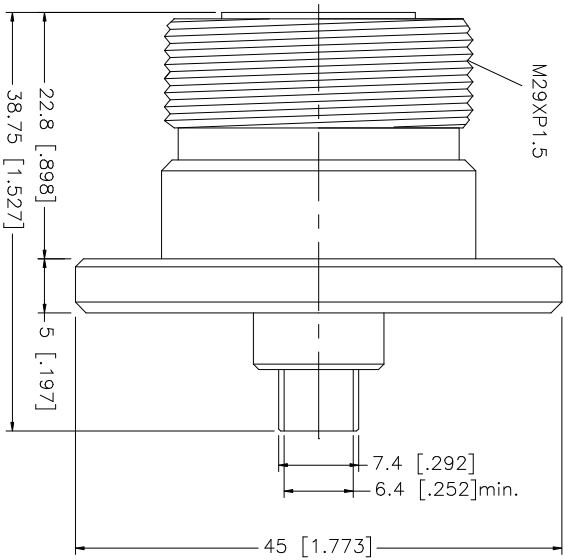
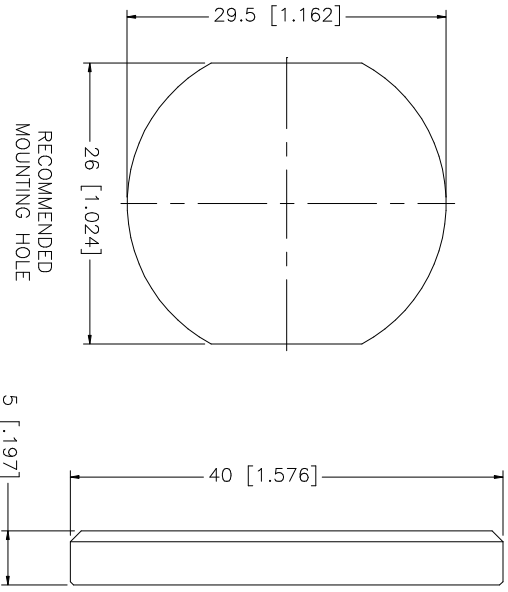


REV.	DATE	DESCRIPTION
NC	05/25/00	INITIAL RELEASE



- NOTES: FINISH (PLATING THICKNESS IN MICRO-INCHES)
1. BRASS PER QQ-B-626
 2. SILVER PL. 120 MIN. THICK OVER COPPER STRIKE.
 3. BERYLLIUM COPPER PER QQ-C-530.
 4. SILVER PL. 200 MIN. THICK OVER COPPER STRIKE.
 5. TEFLON MIL-P-19468

DESCRIPTION	MATERIAL	FINISH	UNLESS OTHERWISE SPECIFIED DIMENSIONS ARE IN MILLIMETERS FOR CUSTOMER REFERENCE ONLY	APPROVALS	DATE	TITLE	SCALE	PART NO.	DWG. NO.	SHEET	REV.
1 BODY	BRASS	SILVER	UNLESS OTHERWISE SPECIFIED DIMENSIONS ARE IN MILLIMETERS FOR CUSTOMER REFERENCE ONLY UNLESS OTHERWISE SPECIFIED TOLERANCES FOR MILLIMETERS ARE: 0.5-6 = ± 0.2 6-30 = ± 0.4 30-120 = ± 0.6 120-315 = ± 1 315-1000 = ± 1.6 1000-2000 = ± 2.4	DRAWN	05/25/00	7/16 BULKHEAD JACK (FOR .250 SEMI RIGID CABLE)	A	99001	272159-10	1	OF 1
2 INSULATOR	TEFLON	NATURAL		CHECKED							
3 CONTACT PIN	BER. COPPER	SILVER		ISSUED							
4 BARREL	BRASS	SILVER									
5 COVER	PE	BLUE									
6 GASKET	N.B.R.	BLACK									
7 NUT	BRASS	SILVER									
8				DO NOT SCALE DRAWING							

