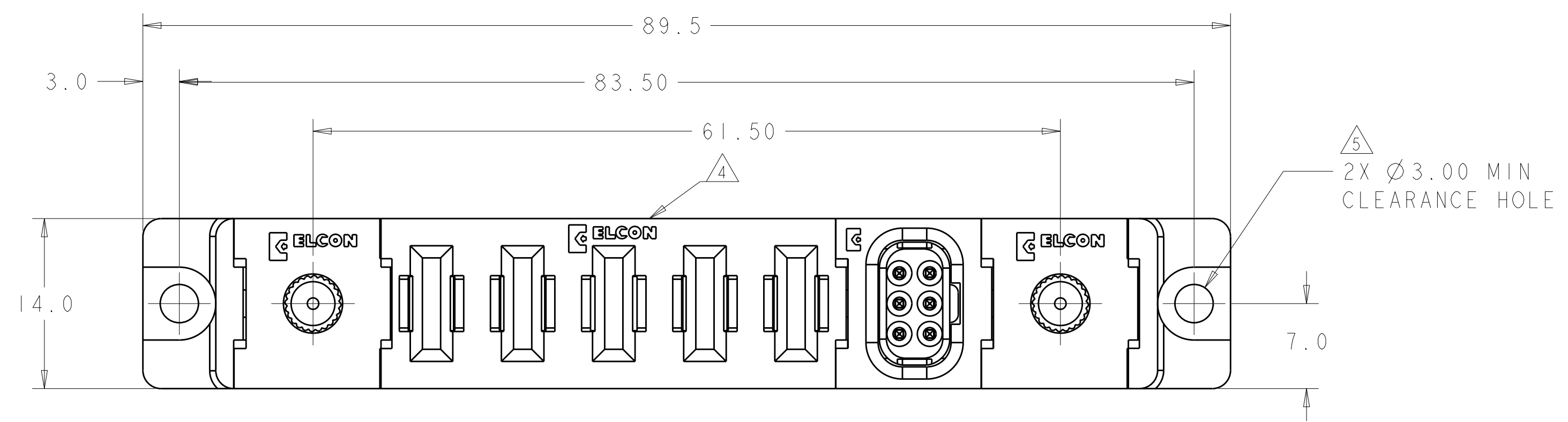
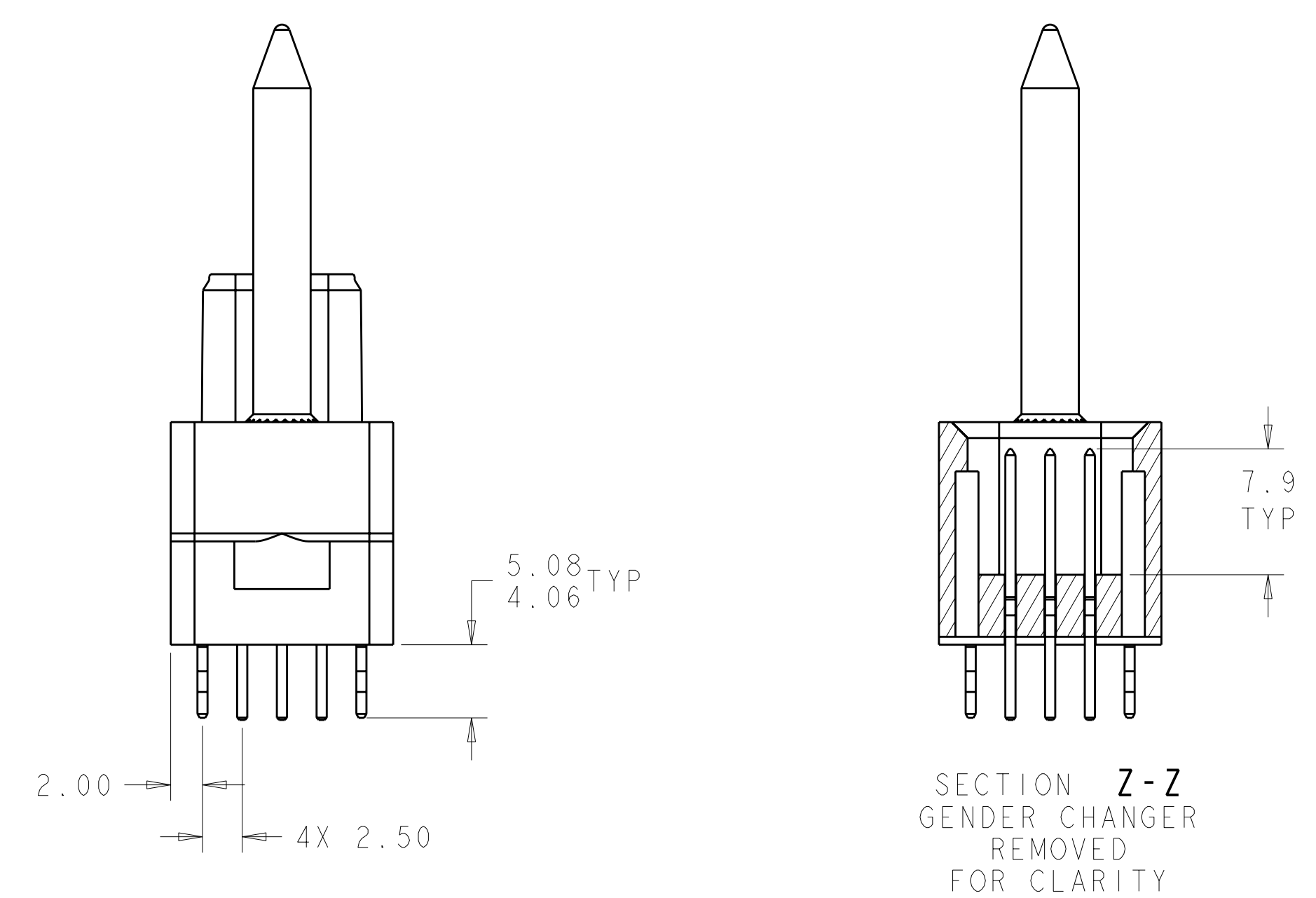
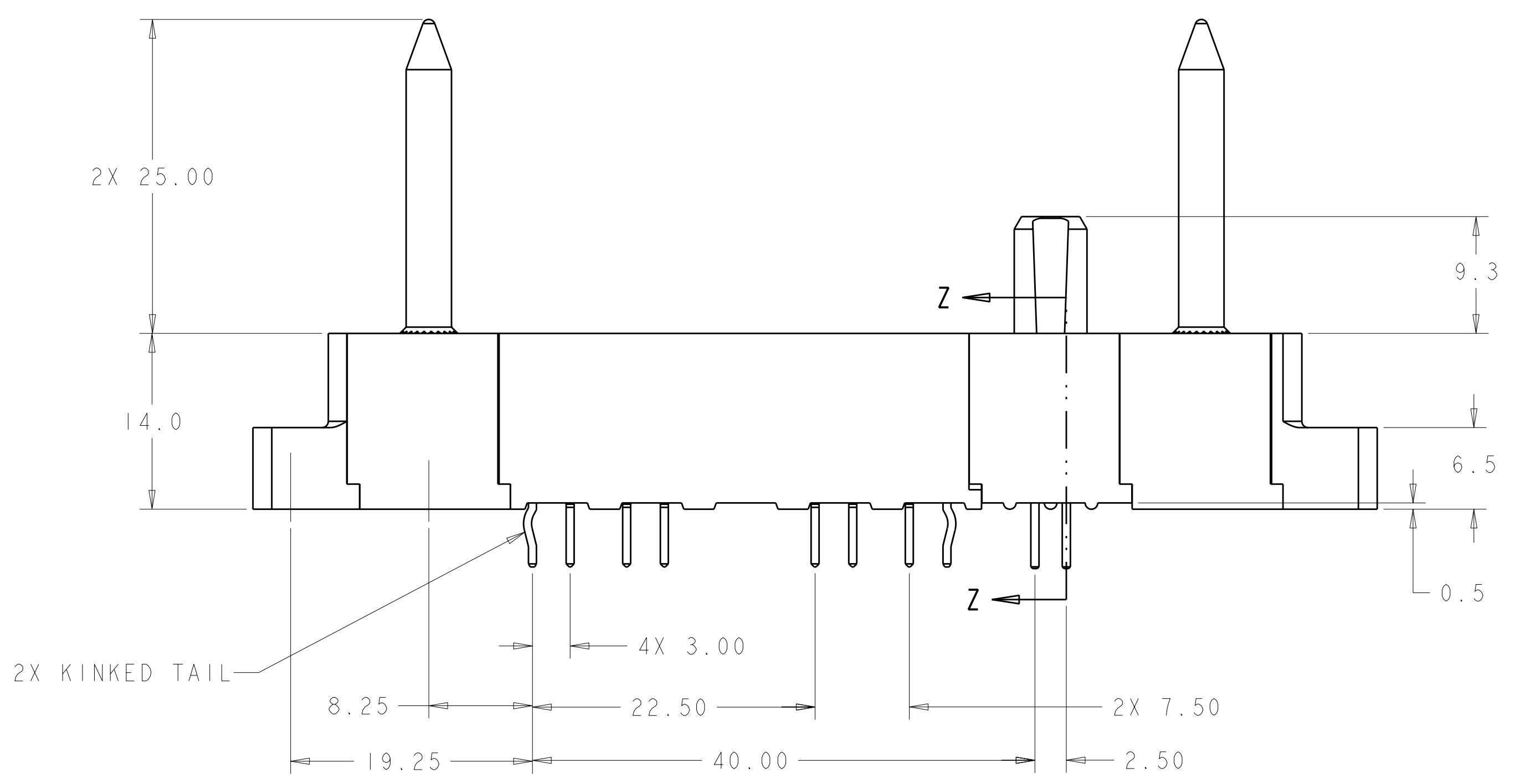


LOC	DIST	REVISIONS			
GP	00	REV	DATE	BY	APPD
		A	07AUG2007	RG	PD
		B	14SEP2011	RG	MS



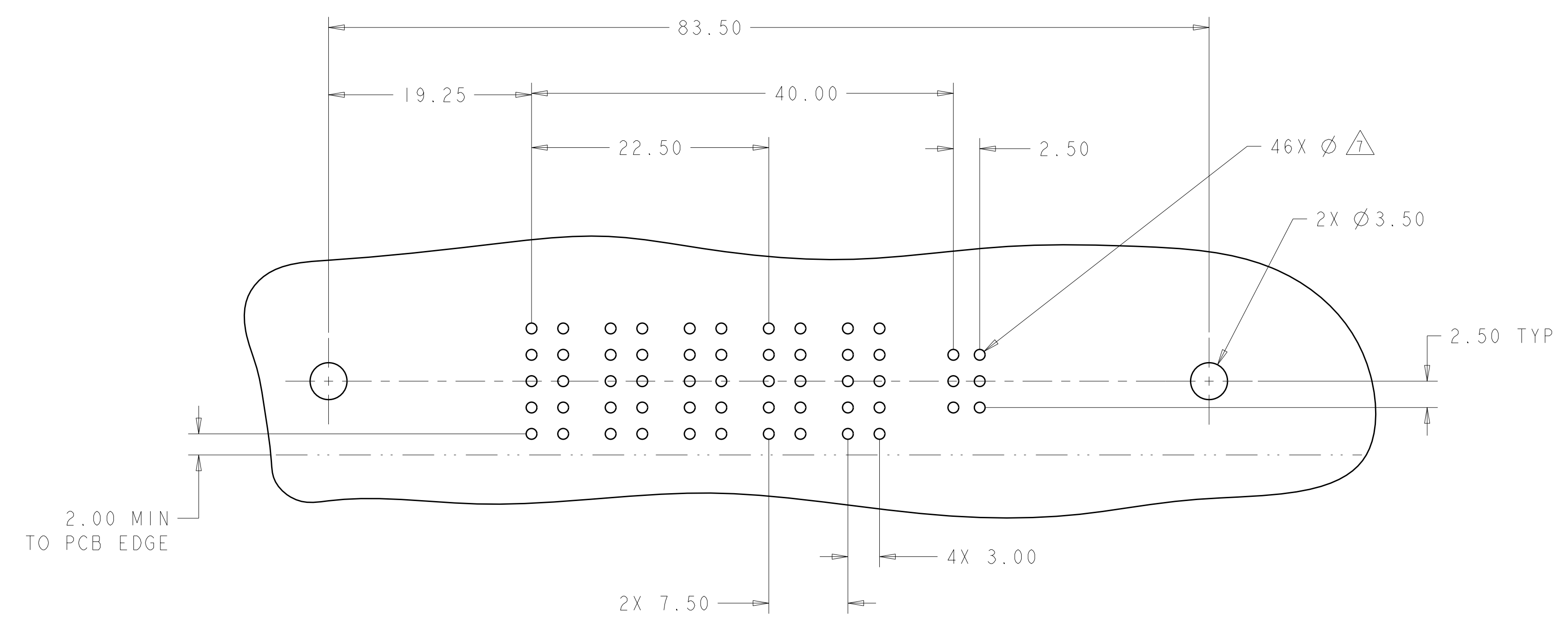
1. PART NUMBER CHANGES AND OR DESIGN CHANGES AFFECTING ITEM INTERCHANGEABILITY REQUIRE PRIOR TYCO ELECTRONICS APPROVAL AND AUTHORIZATION BY REVISION TO THIS DRAWING.
- 2 MATERIAL:
 INSULATORS - THERMOPLASTIC, GLASS REINFORCED, COLOR: BLACK
 UL94V-0 FLAMMABILITY RATED.
 POWER CONTACTS - PHOSPHOR BRONZE ALLOY,
 COPPER ALLOY
 SOLDER SIGNAL PIN - BRASS ALLOY
 CROWN BAND-BERYLLIUM COPPER ALLOY
 GUIDE PIN-BRASS ALLOY
- 3 FINISH:
 CONTACTS - GOLD PLATE 0.76µm MIN. THK., OVER
 NICKEL 1.27µm MIN. THK
 SOLDER TAILS, TIN 3.05µm MIN. THK.
 OVER NICKEL 1.27µm MIN. THK
 GUIDE PIN - NICKEL PLATE 1.27µm MIN THK.
- 4 ITEMS PROVIDED TO THIS SPECIFICATION TO BE PERMANENTLY IDENTIFIED PER THE FOLLOWING IDENTIFIER LABEL
- YEAR 1 WEEK
- TYCO ELECTRONICS P/N DATE CODE (e.g. 0106)
- XXXXXXX-X XXXX
- 5 MOUNTING FLANGES ACCEPT M3 OR 4-40 SCREWS (USER SUPPLIED).



ELCON **FLATPAQ**

DIMENSIONS:		TOLERANCES UNLESS OTHERWISE SPECIFIED:		DWN R. GRZYBOWSKI 07AUG2007		AS SHOWN 6646410-1	
mm	0 PLC ±.5	1 PLC ±.5	2 PLC ±.25	CHK P. DAMATO 07AUG2007	Tyco Electronics Harrisburg, PA 17105-3608		DESCRIPTION PART NUMBER
	3 PLC ±.5	4 PLC ±.5	ANGLES ±.3	APVD S. FLICKINGER 07AUG2007	NAME		SOCKET CONNECTOR, STRAIGHT SOLDER TAILS W/ KINKED FLATPAQ
MATERIAL	FINISH	WEIGHT	CUSTOMER DRAWING	SIZE CAGE CODE DRAWING NO		RESTRICTED TO	
				A100779C=6646410		SCALE 3:1 SHEET 1 OF 3 REV B	

LOC	DIST	REVISIONS			
GP	00	REV	DATE	BY	APPD
-	-	SEE SHEET 1	-	-	-



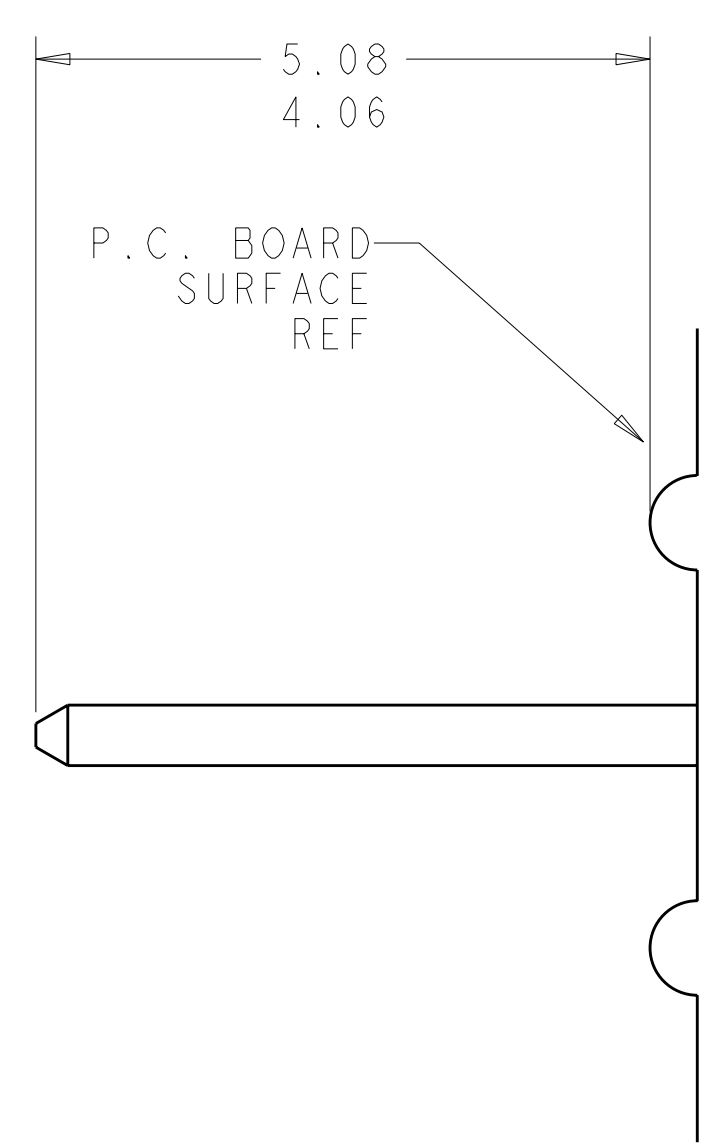
PRINTED CIRCUIT LAYOUT
 COMPONENT SIDE

CONNECTOR	CATALOG MODULE #	QTY	SIZE NO.	CONTACT QTY	MATING PIN	MAX. CURRENT (PER CONTACT)	CONTACT SPACING	VOLTAGE RATING
SOCKET	FP100	4	8	4	1.25 X 7.00 [.049 X .276]	35 amps	7.50 [.2953]	250 VOLTS
	FP313	1	8	6	.64 [.025] SQ.	3 amps	2.50 [.0984]	125 VOLTS
	FP511	1	SPACER					
	FP503	2	GUIDE PIN, PASSIVE					
	FP500	1	MOUNTING FLANGE, LEFT					
	FP501	1	MOUNTING FLANGE, RIGHT					

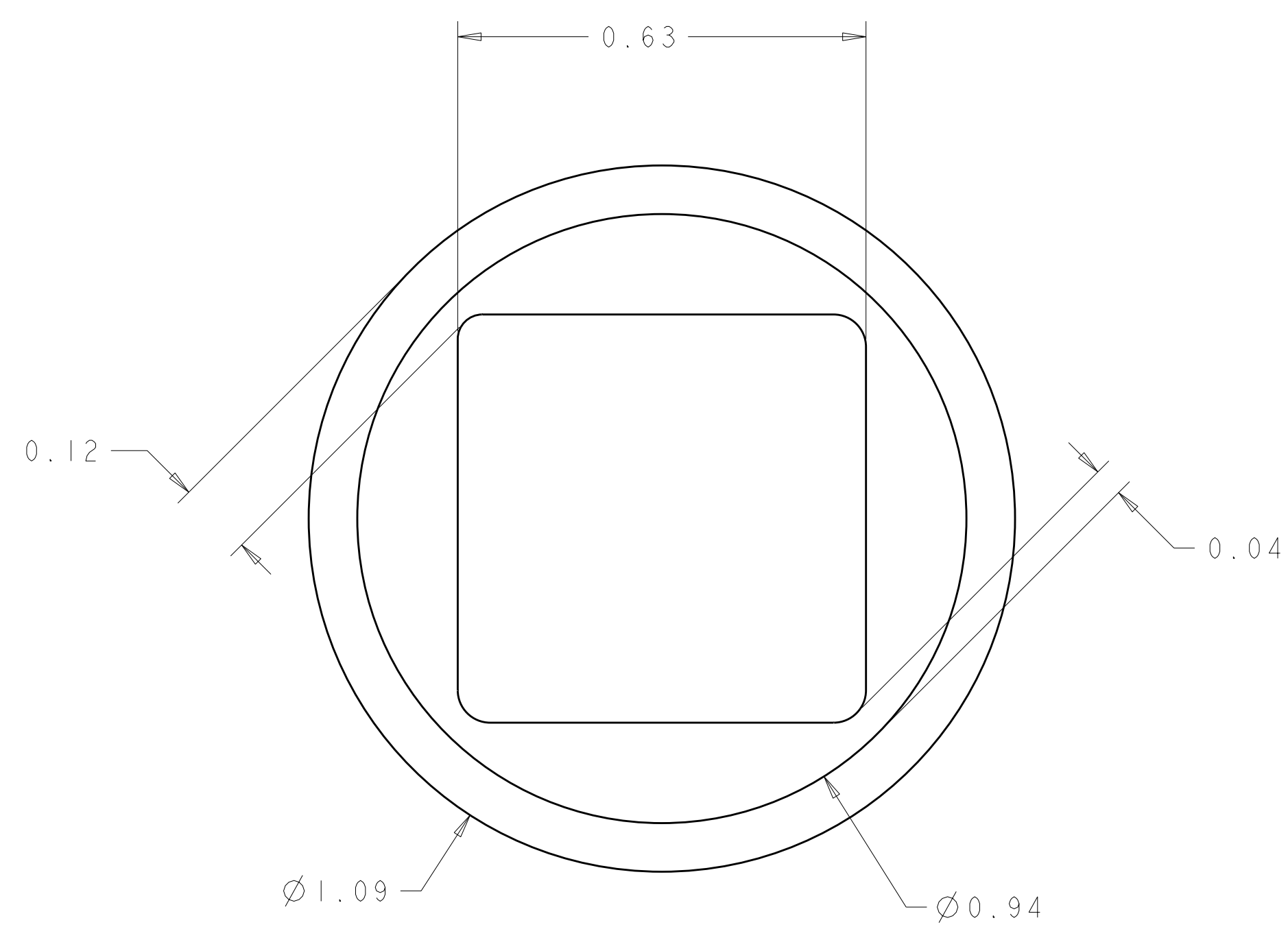
ELCON FLATPAQ

DIMENSIONS: mm 		TOLERANCES UNLESS OTHERWISE SPECIFIED: 0 PLC ±.5 1 PLC ±.5 2 PLC ±.25 3 PLC ±.25 4 PLC ±.25 ANGLES ±.3 FINISH		DWN R. GRZYBOWSKI 07AUG2007 CHK P. DAMATO 07AUG2007 APVD S. FLICKINGER 07AUG2007 PRODUCT SPEC APPLICATION SPEC WEIGHT CUSTOMER DRAWING		Tyco Electronics Harrisburg, PA 17105-3608 NAME: SOCKET CONNECTOR, STRAIGHT SOLDER TAILS W/ KINKED FLATPAQ SIZE: A 00779 C=6646410 SCALE: 3:1 SHEET 2 OF 3 REV B	
-----------------------	--	--	--	--	--	--	--

LOC	DIST	REVISIONS			
P	LTR	DESCRIPTION	DATE	DWN	APVD
GP	00	SEE SHEET 1	-	-	-



6. SOLDER PIN DETAIL
SCALE 10 : 1



△ SOLDER TERMINATION AREA
 SCALE 40:1
 RECOMMENDED PRINTED CIRCUIT SOLDER HOLE
 FINISHED HOLE: Ø1.02 [.040] ±.08 [.003]
 DRILLED HOLE: Ø1.15 [.0453] ±.013 [.0005]
 COPPER PLATE: .025 [.0010] MIN
 TIN PLATE: .008 [.0003] MIN. (PER SURFACE)

<small>THIS DRAWING IS UNPUBLISHED. RELEASED FOR PUBLICATION. ALL RIGHTS RESERVED. THIS DRAWING IS THE PROPERTY OF TYCO ELECTRONICS CORPORATION. IT IS SUBJECT TO CHANGE WITHOUT NOTICE AND WITHOUT OBLIGATION. SHOULD BE CONTACTED FOR THE LATEST REVISION.</small>		DWN: R. GRZYBOWSKI CHK: P. DAMATO APVD: S. FLICKINGER	07AUG2007 07AUG2007 07AUG2007	Tyco Electronics Harrisburg, PA 17105-3608
DIMENSIONS: mm 	TOLERANCES UNLESS OTHERWISE SPECIFIED: 0 PLC ±.5 1 PLC ±.5 2 PLC ±.25 3 PLC ±.125 4 PLC ±.0625 ANGLES ±.3 FINISH	NAME: SOCKET CONNECTOR, STRAIGHT SOLDER TAILS W/ KINKED FLATPAQ PRODUCT SPEC: APPLICATION SPEC: WEIGHT: CUSTOMER DRAWING	SIZE: A CAGE CODE: 100779 DRAWING NO: C-6646410 SCALE: 3:1 SHEET: 3 OF 3 REV: B	RESTRICTED TO: