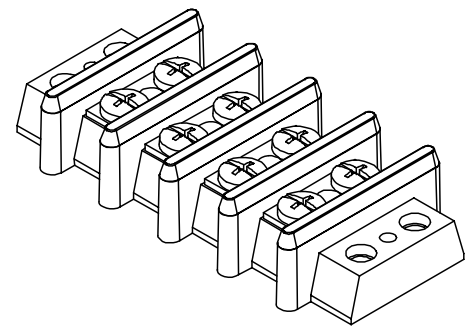
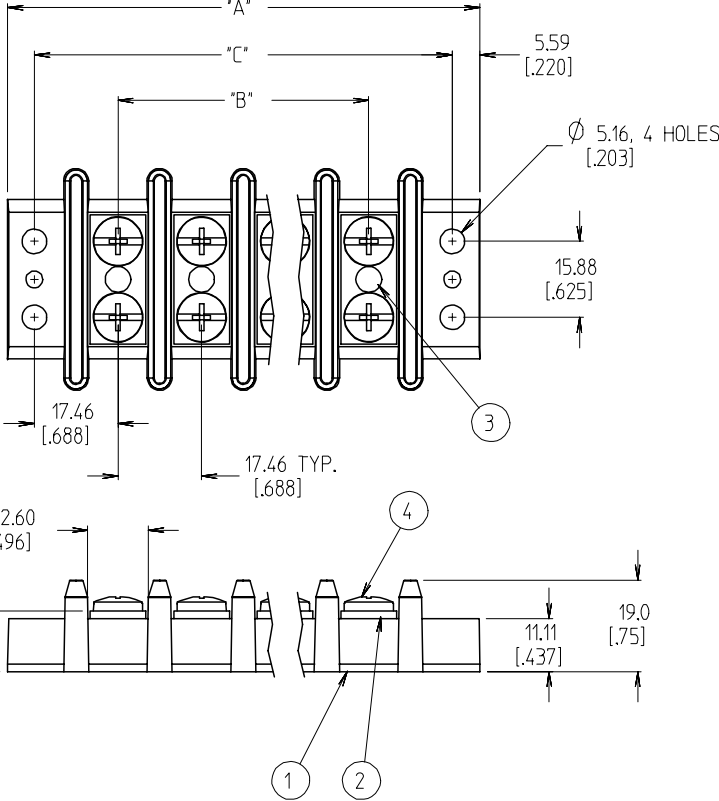
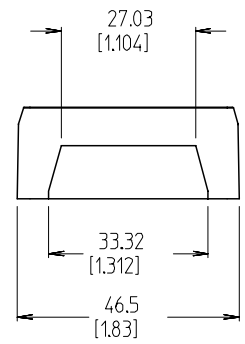


| QTY. OF CIRC. "XX" | DIM. "A" | DIM. "B" | DIM. "C" | ASSEMBLY MATERIAL # (STANDARD) | ASSEMBLY MATERIAL # (-58 OPTION) |
|--------------------|--------------|----------------|----------------|--------------------------------|----------------------------------|
| 02 | 63.6 [2.50] | 17.46 [.688] | 52.39 [2.063] | 38280-0102 | 38280-0402 |
| 03 | 81.0 [3.19] | 34.93 [1.375] | 69.85 [2.750] | 38280-0103 | 38280-0403 |
| 04 | 98.5 [3.88] | 52.39 [2.063] | 87.31 [3.438] | 38280-0104 | 38280-0404 |
| 05 | 116.0 [4.57] | 69.85 [2.750] | 104.78 [4.125] | 38280-0105 | 38280-0405 |
| 06 | 133.4 [5.25] | 87.31 [3.438] | 122.24 [4.813] | 38280-0106 | 38280-0406 |
| 07 | 150.9 [5.94] | 104.78 [4.125] | 139.70 [5.500] | 38280-0107 | 38280-0407 |
| 08 | 168.3 [6.63] | 122.24 [4.813] | 157.16 [6.188] | 38280-0108 | 38280-0408 |
| 09 | 185.8 [7.32] | 139.70 [5.500] | 174.63 [6.875] | 38280-0109 | 38280-0409 |
| 10 | 203.3 [8.00] | 157.16 [6.188] | 192.09 [7.563] | 38280-0110 | 38280-0410 |
| 11 | 220.7 [8.69] | 174.63 [6.875] | 209.55 [8.250] | 38280-0111 | 38280-0411 |
| 12 | 238.2 [9.38] | 192.09 [7.563] | 227.01 [8.938] | 38280-0112 | 38280-0412 |



4 CIRCUIT SHOWN



- NOTES:
- MATERIAL: SEE TABLE
 - FINISHES: SEE TABLE
 - PRODUCT SPECIFICATION: NOT REQUIRED
 - PACKAGING: NOT REQUIRED
 - MATES WITH: NONE
 - "XX" REFERS TO THE QUANTITY OF CIRCUITS.
 - 58 OPTION: DO NOT SUPPLY SCREWS.
 - INCH DIMENSIONS ARE SHOWN IN BRACKETS [LXXX].
 - ALL COMPONENTS ARE ROHS COMPLIANT.

| ITEM | QTY | DESCRIPTION | MATERIAL | FINISH |
|------|------|-----------------------------------|----------|--------------------|
| 4 | XX*2 | SCREW, #10-32, DOG PNT. PHIL-SLOT | BRASS | NICKEL |
| 3 | XX | RIVET, SEMI-TUBE | BRASS | ZN, CLEAR CHROMATE |
| 2 | XX | TERMINAL, EYELET, TWIN | BRASS | BRIGHT NICKEL |
| 1 | 1 | INSULATOR, DR. AS MOLDED | PHENOLIC | BLACK |

| | | | | | | | | |
|------------------|---------------------|------------|-----------|------------|------------|------------|---------------|------------|
| ADDED -58 OPTION | EC NO: ETC2006-0510 | 2006/06/22 | DRW:NEHLE | 2006/07/13 | CHK:DRROSS | 2006/07/13 | APPR:JMACNEIL | 2006/07/13 |
| REV | DESCRIPTION | | | | | | | |

| QUALITY SYMBOLS | |
|-----------------|----|
| | =0 |
| | =0 |

| GENERAL TOLERANCES (UNLESS SPECIFIED) | | |
|---------------------------------------|---------|--------|
| | mm | INCH |
| 4 PLACES | ± --- | ±.0015 |
| 3 PLACES | ± 0.038 | ±.005 |
| 2 PLACES | ± 0.13 | ±.01 |
| 1 PLACE | ± 0.3 | ± --- |
| ANGULAR ± 2 ° | | |

| DIMENSION STYLE | | SCALE | DESIGN UNITS | THIRD ANGLE PROJECTION |
|---|------------|--------------------------------------|--------------|------------------------|
| MM/IN | | 1:1 | INCH | |
| DRAWN BY | DATE | TITLE | | |
| R. KEMP | 2003/05/09 | 17.46MM [.688] DR BTS, PHENOLIC ASSY | | |
| CHECKED BY | DATE | MATERIAL NO. | | |
| R. STONE | 2003/05/12 | SD-38280-001 | | |
| APPROVED BY | DATE | DOCUMENT NO. | | |
| P. WALTZ | 2003/05/13 | SD-38280-001 | | |
| MATERIAL NO. | | DOCUMENT NO. | | SHEET NO. |
| SEE CHART | | SD-38280-001 | | 1 OF 1 |
| THIS DRAWING CONTAINS INFORMATION THAT IS PROPRIETARY TO MOLEX INCORPORATED AND SHOULD NOT BE USED WITHOUT WRITTEN PERMISSION | | | | |