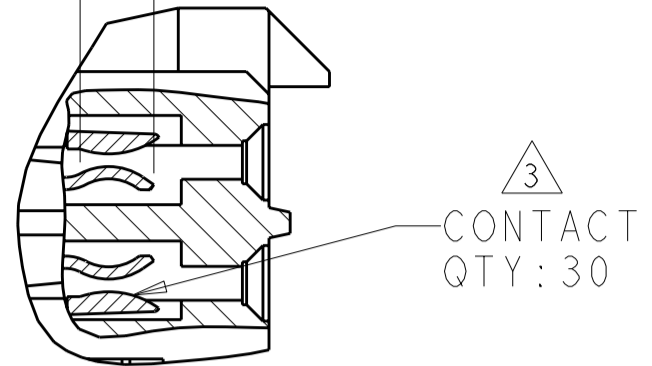


THIS DRAWING IS UNPUBLISHED. RELEASED FOR PUBLICATION 2000  
 © COPYRIGHT 2000 ALL RIGHTS RESERVED.

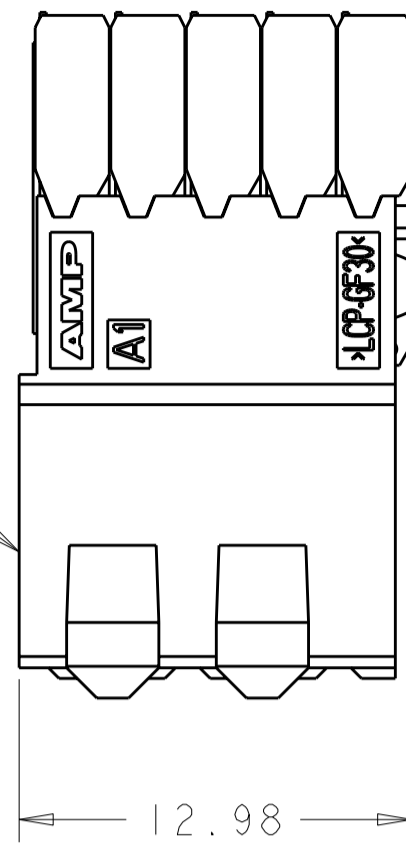
LOC	DIST	REVISIONS			
P	LTR	DESCRIPTION	DATE	DWN	APVD
AD	00	A	REVISED PER ECO-11-013132	13JUL2011	HMR MH

CONTACT AREA TYPICAL



DETAIL M  
SCALE 8:1

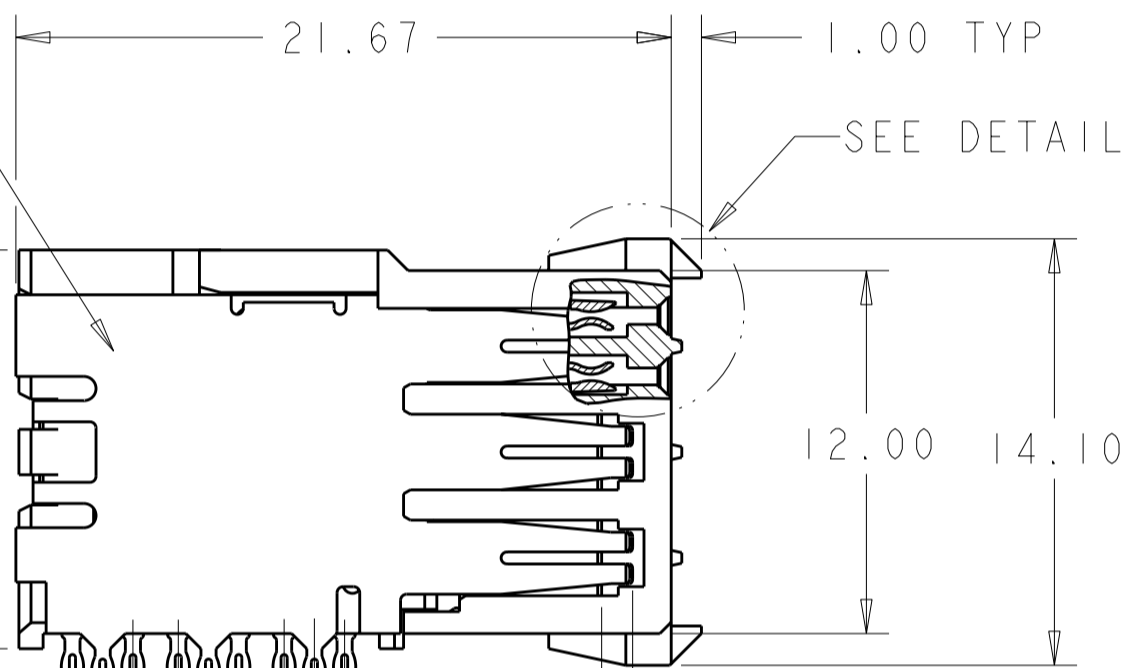
HOUSING QTY: 1



12.98

SHIELD QTY: 5

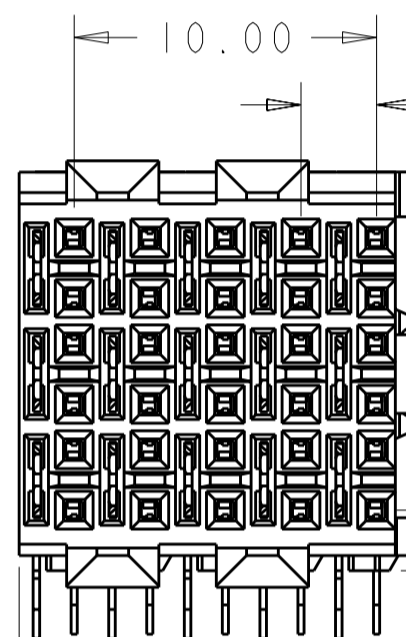
SEATING HEIGHT TO BOARD SURFACE



TERMINATION AREA

TERMINATION AREA

CONTACT AREA TYPICAL

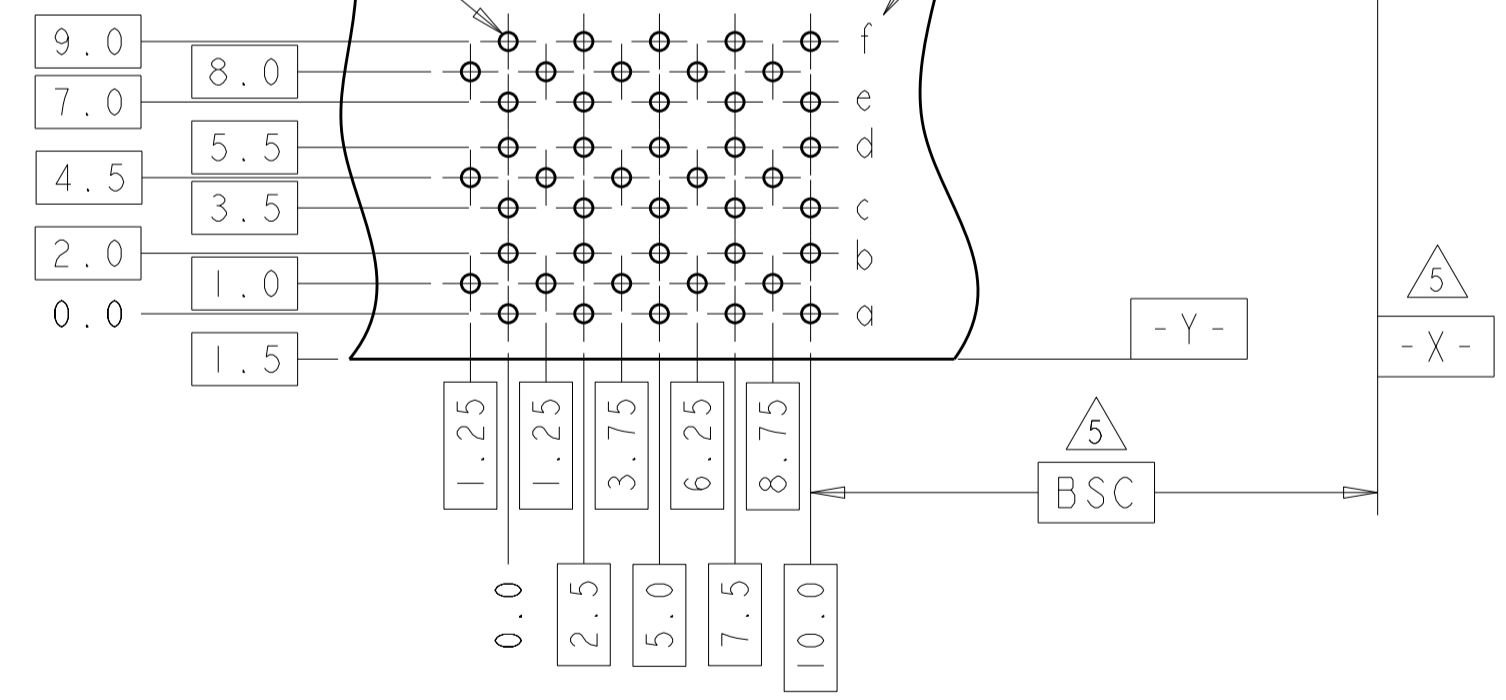


10.00  
2.50 TYP  
2.00 TYP  
1.50 TYP

2.00 DISTANCE FROM ROW "a" TO BOARD SURFACE

- 1 CONTACT MATING AREA MEETS THE PERFORMANCE REQUIREMENTS OF TE CONNECTIVITY PRODUCT SPECIFICATION 108-1957; BASED ON TELCORDIA GR-1217-CORE, APPLICATIONS IN UNCONTROLLED ENVIRONMENTS.
- 2 0.76µm MIN TIN OVER 1.27µm MIN NICKEL
- 3 MATERIAL:  
CONTACT - COPPER ALLOY  
SHIELD - PHOSPHOR BRONZE  
HOUSING AND CHICKLET - LCP, UL94V-0
- 4 REFERENCE APPLICATION SPEC 114-13020 FOR RECOMMENDED PLATED THRU HOLE DIAMETER AND PLATING THICKNESS.
- 5 DATUM AND BASIC DIMENSION ESTABLISHED BY CUSTOMER.
- 6 SEATING HEIGHT TO BOARD SURFACE.
- 7 CONTACT AREA LUBRICATED WITH BELLCORE APPROVED LUBRICANT. TECHNICAL REFERENCE: GR-1217-CORE, ISSUE 1, NOVEMBER 1995.
- 8 DATE CODE
- 9 PART NUMBER

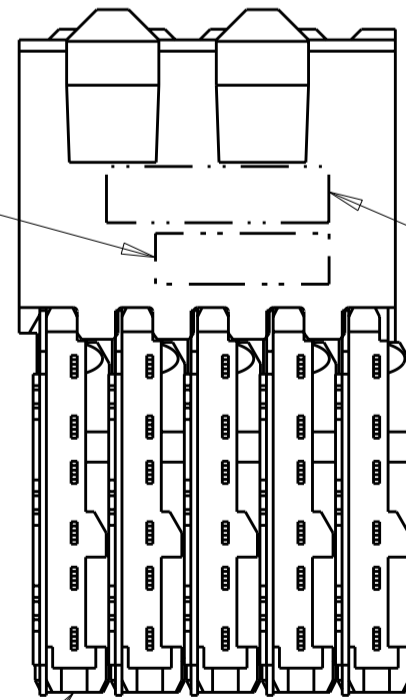
0.60 REF PLATED THRU HOLE TYP



RECOMMENDED PRINTED CIRCUIT BOARD LAYOUT  
COMPONENT SIDE OF PRINTED CIRCUIT BOARD

5120787-1  
PART NUMBER

CHICKLET QTY: 5



LOCATION REF

THIS DRAWING IS A CONTROLLED DOCUMENT.		DWN B. CARBO 07DEC04	TE Connectivity	
DIMENSIONS: mm		CHK R. PATTERSON 07DEC04		
TOLERANCES UNLESS OTHERWISE SPECIFIED:		APVD R. PATTERSON 07DEC04	NAME RECEPTACLE ASSEMBLY, 30 POSITION 6 ROW, DUAL BEAM, Z-PACK HS3	
0 PLC ±		PRODUCT SPEC 108-1957	SIZE CAGE CODE DRAWING NO RESTRICTED TO	
1 PLC ±		APPLICATION SPEC 114-13020	A200779C-5120787	
2 PLC ±0.13		WEIGHT -	SCALE 4:1 SHEET 1 OF 1 REV A	
3 PLC ±0.050		CUSTOMER DRAWING		
4 PLC ±				
ANGLES ±				
FINISH				
SOLDER TAIL: 2				
CONTACT: 1				