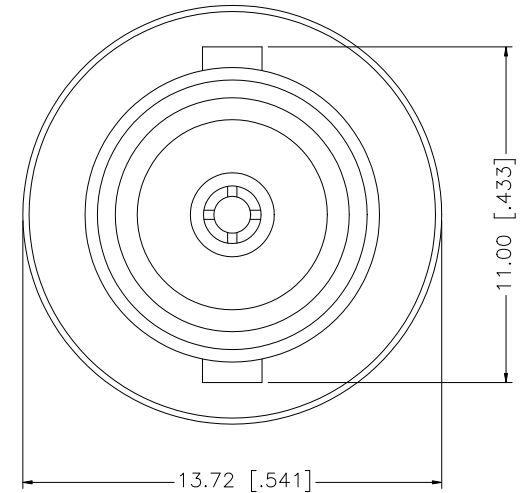
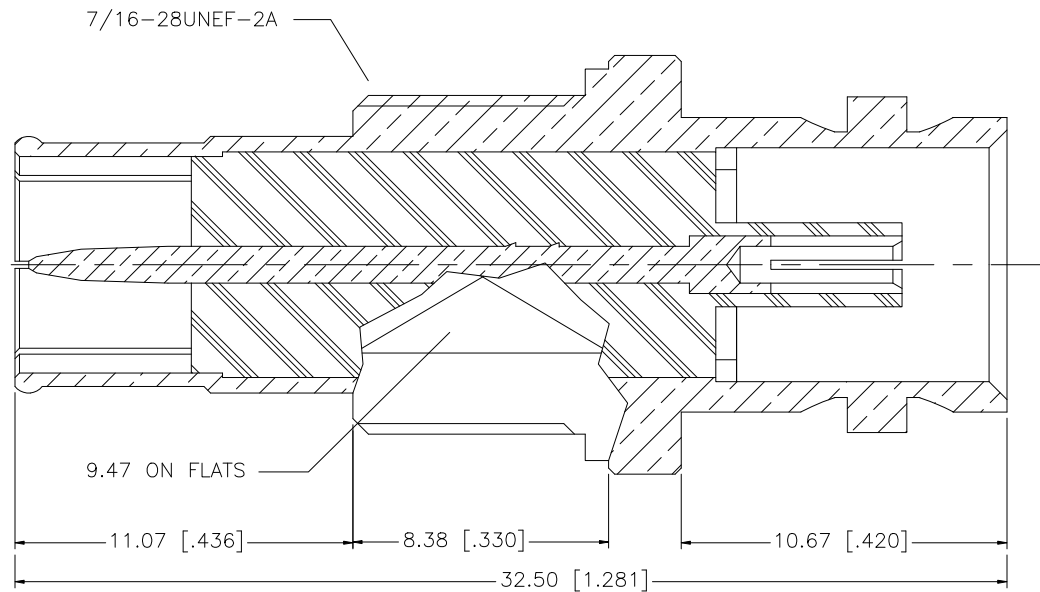


REV.	DATE	DESCRIPTION
NC	06/25/07	INITIAL RELEASE



8					<small>UNLESS OTHERWISE SPECIFIED DIMENSIONS ARE IN MILLIMETERS. DIMENSIONS IN [ ] ARE IN INCHES AND FOR CUSTOMER REFERENCE ONLY.</small> <small>UNLESS OTHERWISE SPECIFIED TOLERANCES FOR MILLIMETERS ARE:</small> 0.5 - 8mm ± 0.20mm 8 - 30mm ± 0.40mm 30 - 120mm ± 0.50mm <small>UNLESS OTHERWISE SPECIFIED TOLERANCES FOR INCHES ARE:</small> .020 - .315 = ± 0.007" .315 - 1.180 = ± 0.015" 1.180 - 4.724 = ± 0.020"	APPROVALS	DATE	<h1 style="color: blue;">Amphenol Connex</h1>			
7				DRAWN		G.R.S.	06/25/07				
6				CHECKED				<b>PART DESCRIPTION</b> BNC MALE PUSH ON TO BNC JACK ADAPTER			
5				ISSUED							
4				SHEET	1 OF 1		<b>PART NO.</b> 242230-75				
3	CONTACT PIN	PHOS. BRONZE	GOLD	1							<b>DWG. NO.</b> 242230-75.DWG
2	INSULATOR	TEFLON	NATURAL	1			<b>REV.</b> NC <b>SIZE</b> A <b>SCALE</b> NA				
1	BODY	BRASS	NICKEL	1							<b>CAD FILE</b> C:/242/242230-75.DWG
	DESCRIPTION	MATERIAL	FINISH	QTY	DO NOT SCALE DRAWING						