

used for: D-SUB

Ⓒ SPECIFICATION:

1. MATERIAL:

- INSULATOR: THERMAL PLASTIC UL 94 V-0
- CONTACTS: COPPER ALLOY
- SHELL: STEEL
- RIVET; BOARDLOCK: COPPER ALLOY

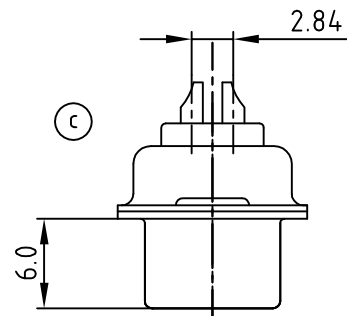
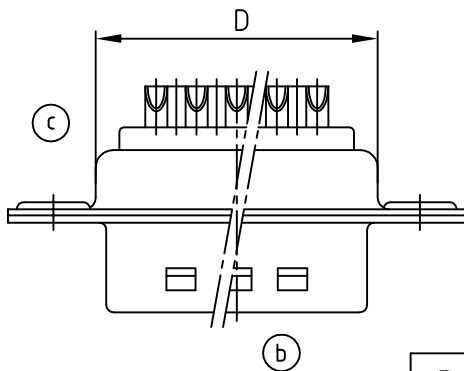
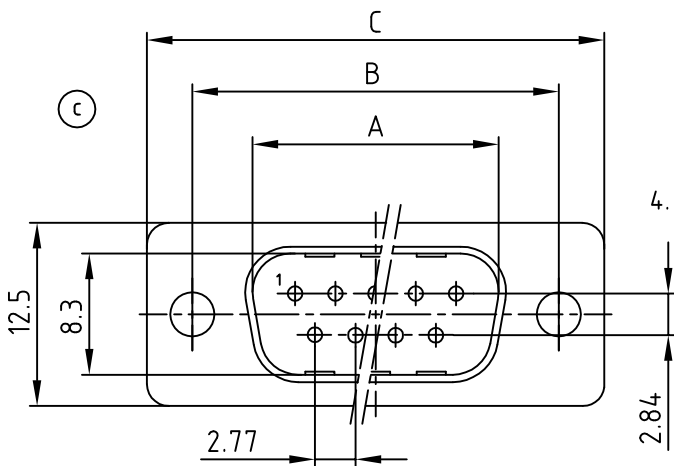
2. CONTACT PLATING:

- UNDERPLATE: 50µ" NICKEL
- CONTACT AREA: GOLD FLASH
- SOLDER TAILS AREA: GOLD FLASH

3. ELECTRICAL:

- OPERATION VOLTAGE: 250 VAC max.
- CURRENT RATING: 3 A max.
- CONTACT RESISTANCE: 15 OHM max.
- INSULATION RESISTANCE: 3000 OHM min. @ 500 VDC
- DIELECTRIC WITHSTANDING VOLTAGE: 1000 VAC / MINUTE
- OPERATING TEMPERATURE: -55°C TO +105°C

4. CONNECTOR IS PART MARKED: PART-NO. CONEC ABC



Part NO.	No. of Pos.	A	B	C	D
301A10019X	9	16.92	25.00	30.8	19.2
301A10029X	15	25.25	33.30	39.2	27.7
301A10059X	25	38.96	47.10	53.1	41.1
301A10069X	37	55.42	63.50	69.4	57.3

Directive 2002/95/EC  
RoHS  
Compliant

THIS DRAWING MAY NOT BE COPIED OR REPRODUCED IN ANY WAY, AND MAY NOT BE PASSED ON TO A THIRD PARTY WITHOUT WRITTEN PERMISSION. OWNERSHIP AND COPYRIGHT OF CONEC GmbH DO NOT ALTER CAD DRAWING BY HAND

tolerance		ANG.		⊕	
Ⓒ	0.	±5°	±0.5	⊕	⊕
	.0		±0.3		
	.00		±0.2		
2001	date	name			
drawn	25.09.	Parei			
appd.	25.09.	E. Mickenbecker			
norm	DIN 41652				
6 x c	Ä3825	29.11.2010	K.H.	d-old	
1 x b	Ä3486	09.11.09	Sonne		
a	Origin				
rev.	description	date	name		



scale:	2:1	
material:	SEE NOTES	
title:	D-SUB MALE SOLDER CUP 9-37pos. with stamped contacts	
dwg no:	AutoCAD 2000	DIN-A
	16K1A306A	4
part no:	SEE TABLE	sh:1/2