

- ◇ STRUCTURE Silicon Monolithic Integrated Circuit
- ◇ PRODUCT SPI BUS Serial EEPROMs
- ◇ SERIES SIGNATURE SERIES
- ◇ FAMILY BR95□□0 family
- ◇ TYPE Supply voltage 1.8V~5.5V/Operating temperature -40°C~+85°Ctype
- ◇ PART NUMBER BR95□□0-R□□6TP

PART NUMBER	PACKAGE	DENSITY
BR95010-RMN6TP	SO8 narrow	1Kbit
BR95020-RMN6TP		2Kbit
BR95040-RMN6TP		4Kbit
BR95080-RMN6TP		8Kbit
BR95160-RMN6TP		16Kbit
BR95010-RDW6TP	TSSOP8	1Kbit
BR95020-RDW6TP		2Kbit
BR95040-RDW6TP		4Kbit
BR95080-RDW6TP		8Kbit
BR95160-RDW6TP		16Kbit
BR95010-RDS6TP	TSSOP8 3 × 3mm ²	1Kbit
BR95020-RDS6TP		2Kbit
BR95040-RDS6TP		4Kbit

◇ FEATURES

SPI BUS interface
 Endurance : 1,000,000 erase/write cycles
 Data retention : 40 years
 Initial Data: Memory array FFh

◇ ABSOLUTE MAXIMUM RATINGS

Symbol	Parameter	Min.	Max.	Unit
T _{STG}	Storage Temperature	-65	125	°C
V _I	Input Voltage	-0.3	V _{CC} +0.3	V
V _{CC}	Supply Voltage	-0.3	6.5	V

◇ POWER DISSIPATION (T_a=25°C)

PACKAGE	Rating	Unit
SO8 narrow	450 *1	mW
TSSOP8	330 *2	mW
TSSOP8 3 × 3mm ²	310 *3	mW

* Degradation is done at 4.5mW/°C(*1), 3.3mW/°C(*2), 3.1mW/°C(*3) for operation above 25°C

◇ DC OPERATING CHARACTERISTICS

(Unless otherwise specified Ta=-40~85°C, Vcc=1.8~5.5V)

Parameter	Symbol	Min.	Max.	Unit	Test condition
Input Leakage Current	I _I	-	±2	μA	V _{IN} =V _{SS} or V _{CC}
Output Leakage Current	I _O	-	±2	μA	\bar{S} =V _{CC} , V _{OUT} =V _{SS} or V _{CC}
Supply Current	I _{CC}	-	1	mA	V _{CC} =1.8V, f _C =2MHz, t _W =10ms
Supply Current (Standby Power mode)	I _{CC1}	-	0.5	μA	\bar{S} =V _{CC} , V _{CC} =1.8V, V _{IN} =V _{SS} or V _{CC}
Input Low Voltage (BR95010/020/040)	V _L	-0.3	0.25V _{CC}	V	
Input Low Voltage (BR95080/180)		-0.3	0.3V _{CC}	V	
Input High Voltage	V _H	0.7V _{CC}	V _{CC} +0.3	V	
Output Low Voltage	V _{OL}	-	0.3	V	I _{OL} =0.15mA, V _{CC} =1.8V
Output High Voltage	V _{OH}	0.8 V _{CC}	-	V	I _{OH} =-0.1mA, V _{CC} =1.8V

○ This product is not designed for protection against radioactive rays.

◇ AC OPERATING CHARACTERISTICS

(Unless otherwise specified Ta=-40~85°C, Vcc=1.8~5.5V, C_L=100pF)

Parameter	Symbol	Min.	Max.	Unit
Clock Frequency	f _C	-	2	MHz
\bar{S} Active Setup Time	t _{SLCH}	200	-	ns
\bar{S} Not Active Setup Time	t _{SNCH}	200	-	ns
\bar{S} Deselect Time	t _{SNL}	200	-	ns
\bar{S} Active Hold Time	t _{CHSH}	200	-	ns
\bar{S} Not Active Hold Time	t _{CHSL}	200	-	ns
Clock High Time	t _{CH} *1	200	-	ns
Clock Low Time	t _{CL} *1	200	-	ns
Clock Rise Time	t _{CLCH} *2	-	1	μs
Clock Fall Time	t _{CHCL} *2	-	1	μs
Data In Setup Time	t _{DVCH}	40	-	ns
Data In Hold Time	t _{CHDX}	50	-	ns
Clock Low Hold Time after HOLD not Active	t _{HCH}	140	-	ns
Clock Low Hold Time after HOLD Active	t _{HLCH}	90	-	ns
Clock High Set-up Time before HOLD Active (BR95010/020/040)	t _{CHHL}	120	-	ns
Clock Low Set-up Time before HOLD Active (BR95080/180)	t _{CLHL}	0	-	ns
Clock High Set-up Time before HOLD not Active (BR95010/020/040)	t _{CHHH}	120	-	ns
Clock Low Set-up Time before HOLD not Active (BR95080/180)	t _{CLHH}	0	-	ns
Output Disable Time	t _{SHDZ} *2	-	250	ns
Clock Low to Output Valid (BR95010/020/040)	t _{CLQV}	-	180	ns
Clock Low to Output Valid (BR95080/180)		-	150	
Output Hold Time	t _{CLQX}	0	-	ns
Output Rise Time	t _{OLCH} *2	-	100	ns
Output Fall Time	t _{OLCL} *2	-	100	ns
HOLD High to Output Valid	t _{HQV}	-	150	ns
HOLD Low to Output High-Z	t _{HQZ} *2	-	250	ns
Write Time	t _W	-	10	ms

*1 t_{CH}+t_{CL} ≥ 1/f_C
 *2 This parameter is not 100% tested.

◇ BLOCK DIAGRAM

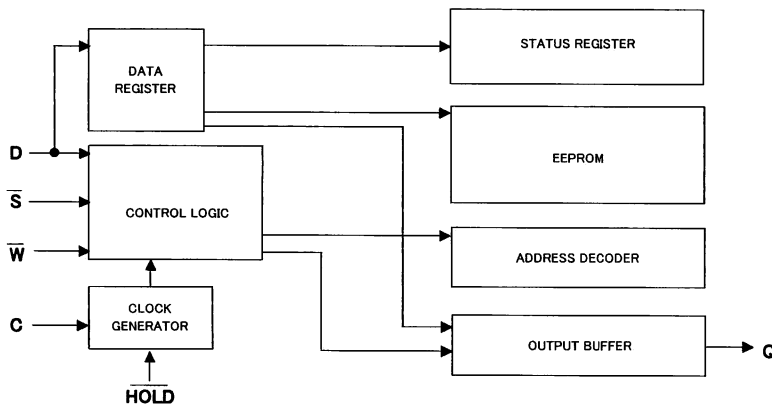


Fig-1 BLOCK DIAGRAM

◇ PIN No., PIN NAME

PIN No.	PIN NAME
1	\bar{S}
2	Q
3	\bar{W}
4	V _{SS}
5	D
6	C
7	HOLD
8	V _{CC}

◇NOTES FOR POWER SUPPLY

In order to prevent an inadvertent write, the device has the feature of P.O.R.
 After the power is on, the device is in the write disable mode. P.O.R. works only during power up. The noise may force the device write enable mode with \overline{S} ="H" during power ON/OFF. In the case of power up, keep the following conditions to ensure to make the function of P.O.R.

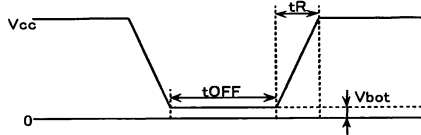


Fig-2 Vcc waveform

◇RECOMMENDED CONDITIONS OF tR, tOFF, Vbot

tR	tOFF	Vbot
Below 10ms	Above 10ms	Below 0.3V
Below 100ms	Above 10ms	Below 0.2V

Please keep \overline{S} "H" during power ON/OFF.

The device is an active state during \overline{S} is low. The extraordinary function or data collaption may occur because of noise etc., if power-up is done with \overline{S} "L". In order to prevent above errors from happening, keep \overline{S} "H" (=Vcc) during power ON. (The device does not receive any command during \overline{S} is high.)

It may continue at low Vcc by capacitance of Vcc line during power off.

Please keep \overline{S} "H" during power off because of the device may make malfunction and inadvertent write.

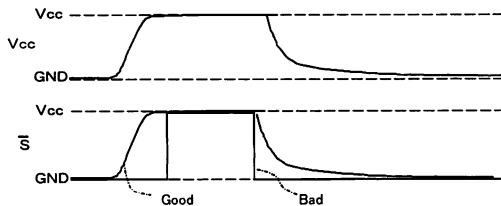


Fig-3 \overline{S} TIMING DURING POWER ON/OFF

(Good example)
 \overline{S} follows Vcc. (\overline{S} is pull up to Vcc)

(Bad example)
 \overline{S} is low during power ON/OFF.

Please take more than 10ms between power ON and power OFF, or the internal circuit is not always reset.

◇CAUTIONS ON USE

(1) Absolute maximum ratings

If the absolute maximum ratings such as impressed voltage and action temperature range and so forth are exceeded, LSI may be destructed. Do not impress voltage and temperature exceeding the absolute maximum ratings. In the case of fear exceeding the absolute maximum ratings, take physical safety countermeasures such as fuses, and see to it that conditions exceeding the absolute maximum ratings should not be impressed to LSI.

(2) Vss electric potential

Set the voltage of Vss terminal lowest at any action condition. Make sure that each terminal voltage is lower than that of Vss terminal.

(3) Thermal design

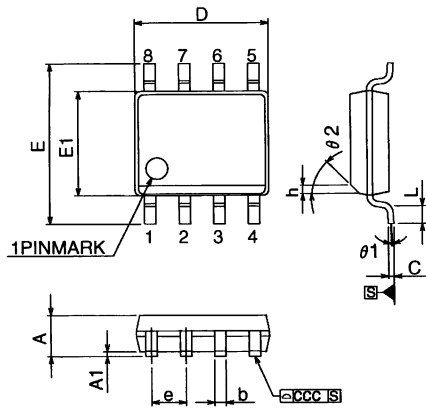
In consideration of permissible loss in actual use condition, carry out heat design with sufficient margin.

(4) Terminal to terminal shortcircuit and wrong packaging

When to package LSI onto a board, pay sufficient attention to LSI direction and displacement. Wrong packaging may destruct LSI. And in the case of shortcircuit between LSI terminals and terminals and power source, terminal and Vss owing to foreign matter, LSI may be destructed.

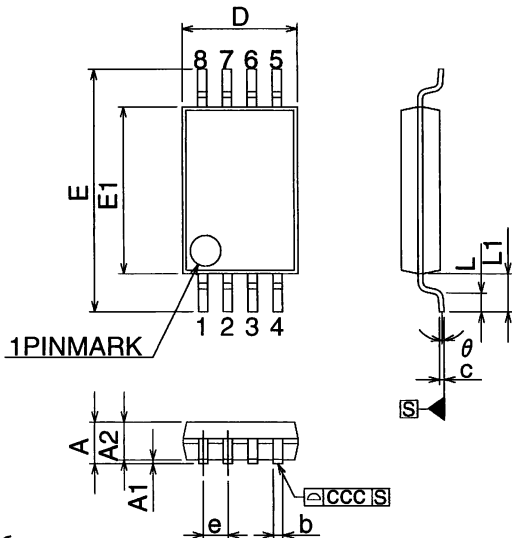
(5) Use in a strong electromagnetic field may cause malfunction, therefore, evaluated design sufficiently.

◇ PHYSICAL DIMENSION



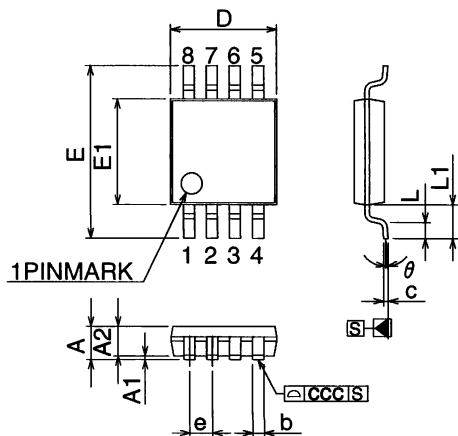
- (Notes 1.This drawing is subject to change without notice.
2.Body dimensions do not include mold flash or protrusion, or gate burns.
3.Reference JEDEC MS-012 variation AA.)

Fig.-4 SO8 narrow Package Outline



- (Notes 1.This drawing is subject to change without notice.
2.Body dimensions do not include mold flash or protrusion, or gate burns.
3.Reference JEDEC MO-153.)

Fig.-5 TSSOP8 Package Outline



- (Notes 1.This drawing is subject to change without notice.
2.Body dimensions do not include mold flash or protrusion, or gate burns.
3.Reference JEDEC MO-187 variation AA.)

Fig.-6 TSSOP8 3 x 3mm² Package Outline

◇ SO8 narrow Package size data

Symb.	mm			inches		
	Typ.	Min.	Max.	Typ.	Min.	Max.
A	-	1.35	1.75	-	0.053	0.069
A1	-	0.10	0.25	-	0.004	0.010
b	-	0.33	0.51	-	0.013	0.020
c	-	0.19	0.25	-	0.007	0.010
D	-	4.80	5.00	-	0.189	0.197
e	1.27	-	-	0.050	-	-
E	-	5.80	6.20	-	0.228	0.244
E1	-	3.80	4.00	-	0.150	0.157
L	-	0.40	1.27	0.050	0.016	0.050
theta 1	-	0°	8°	-	0°	8°
ccc	-	-	0.10	-	-	0.004
h	-	0.25	0.50	-	0.010	0.020
theta 2	45°	-	-	45°	-	-

◇ TSSOP8 Package size data

Symb.	mm			inches		
	Typ.	Min.	Max.	Typ.	Min.	Max.
A	-	-	1.200	-	-	0.0472
A1	-	0.050	0.150	-	0.0020	0.0059
A2	1.000	0.800	1.050	0.0394	0.0315	0.0413
b	-	0.190	0.300	-	0.0075	0.0118
c	-	0.090	0.200	-	0.0035	0.0079
D	3.000	2.900	3.100	0.1181	0.1142	0.1220
e	0.650	-	-	0.0256	-	-
E	6.400	6.200	6.600	0.2520	0.2441	0.2598
E1	4.400	4.300	4.500	0.1732	0.1693	0.1772
L	0.600	0.450	0.750	0.0236	0.0177	0.0295
L1	1.000	-	-	0.0394	-	-
ccc	-	-	0.100	-	-	0.0039
theta	-	0°	8°	-	0°	8°

◇ TSSOP8 3 x 3mm² Package size data

Symb.	mm			inches		
	Typ.	Min.	Max.	Typ.	Min.	Max.
A	-	-	1.100	-	-	0.0433
A1	-	0.050	0.150	-	0.0020	0.0059
A2	0.850	0.750	0.950	0.0335	0.0295	0.0374
b	-	0.250	0.400	-	0.0098	0.0157
c	-	0.120	0.230	-	0.0047	0.0091
D	3.000	2.900	3.100	0.1181	0.1142	0.1220
e	0.650	-	-	0.0256	-	-
E	4.900	4.650	5.150	0.1929	0.1831	0.2028
E1	3.000	2.900	3.100	0.1181	0.1142	0.1220
L	0.550	0.400	0.700	0.0217	0.0157	0.0276
L1	0.950	-	-	0.0374	-	-
ccc	-	-	0.100	-	-	0.0039
theta	-	0°	6°	-	0°	6°

Notes

- No technical content pages of this document may be reproduced in any form or transmitted by any means without prior permission of ROHM CO.,LTD.
- The contents described herein are subject to change without notice. The specifications for the product described in this document are for reference only. Upon actual use, therefore, please request that specifications to be separately delivered.
- Application circuit diagrams and circuit constants contained herein are shown as examples of standard use and operation. Please pay careful attention to the peripheral conditions when designing circuits and deciding upon circuit constants in the set.
- Any data, including, but not limited to application circuit diagrams information, described herein are intended only as illustrations of such devices and not as the specifications for such devices. ROHM CO.,LTD. disclaims any warranty that any use of such devices shall be free from infringement of any third party's intellectual property rights or other proprietary rights, and further, assumes no liability of whatsoever nature in the event of any such infringement, or arising from or connected with or related to the use of such devices.
- Upon the sale of any such devices, other than for buyer's right to use such devices itself, resell or otherwise dispose of the same, no express or implied right or license to practice or commercially exploit any intellectual property rights or other proprietary rights owned or controlled by
- ROHM CO., LTD. is granted to any such buyer.
- Products listed in this document are no antiradiation design.

The products listed in this document are designed to be used with ordinary electronic equipment or devices (such as audio visual equipment, office-automation equipment, communications devices, electrical appliances and electronic toys).

Should you intend to use these products with equipment or devices which require an extremely high level of reliability and the malfunction of which would directly endanger human life (such as medical instruments, transportation equipment, aerospace machinery, nuclear-reactor controllers, fuel controllers and other safety devices), please be sure to consult with our sales representative in advance.

About Export Control Order in Japan

Products described herein are the objects of controlled goods in Annex 1 (Item 16) of Export Trade Control Order in Japan.

In case of export from Japan, please confirm if it applies to "objective" criteria or an "informed" (by MITI clause) on the basis of "catch all controls for Non-Proliferation of Weapons of Mass Destruction.

Thank you for your accessing to ROHM product informations.
More detail product informations and catalogs are available,
please contact your nearest sales office.

Please contact our sales offices for details ;

U.S.A / San Diego	TEL : +1(858)625-3630	FAX : +1(858)625-3670
Atlanta	TEL : +1(770)754-5972	FAX : +1(770)754-0691
Dallas	TEL : +1(972)312-8818	FAX : +1(972)312-0330
Germany / Dusseldorf	TEL : +49(2154)9210	FAX : +49(2154)921400
United Kingdom / London	TEL : +44(1)908-282-666	FAX : +44(1)908-282-528
France / Paris	TEL : +33(0)1 56 97 30 60	FAX : +33(0) 1 56 97 30 80
China / Hong Kong	TEL : +852(2)740-6262	FAX : +852(2)375-8971
Shanghai	TEL : +86(21)6279-2727	FAX : +86(21)6247-2066
Dilian	TEL : +86(411)8230-8549	FAX : +86(411)8230-8537
Beijing	TEL : +86(10)8525-2483	FAX : +86(10)8525-2489
Taiwan / Taipei	TEL : +866(2)2500-6956	FAX : +866(2)2503-2869
Korea / Seoul	TEL : +82(2)8182-700	FAX : +82(2)8182-715
Singapore	TEL : +65-6332-2322	FAX : +65-6332-5662
Malaysia / Kuala Lumpur	TEL : +60(3)7958-8355	FAX : +60(3)7958-8377
Philippines / Manila	TEL : +63(2)807-6872	FAX : +63(2)809-1422
Thailand / Bangkok	TEL : +66(2)254-4890	FAX : +66(2)256-6334

Japan /
(Internal Sales)

Tokyo	2-1-1, Yaesu, Chuo-ku, Tokyo 104-0082	TEL : +81(3)5203-0321	FAX : +81(3)5203-0300
Yokohama	2-4-8, Shin Yokohama, Kohoku-ku, Yokohama, Kanagawa 222-8575	TEL : +81(45)476-2131	FAX : +81(45)476-2128
Nagoya	Dainagayo Building 9F 3-28-12, Meieki, Nakamura-ku, Nagoya, Aichi 450-0002	TEL : +81(52)581-8521	FAX : +81(52)561-2173
Kyoto	579-32 Higashi Shiokouji-cho, Karasuma Nishi-iru, Shiokoujidori, Shimogyo-ku, Kyoto 600-8216	TEL : +81(75)311-2121	FAX : +81(75)314-6559

(Contact address for overseas customers in Japan)

Yokohama	TEL : +81(45)476-9270	FAX : +81(045)476-9271
----------	-----------------------	------------------------