

4

3

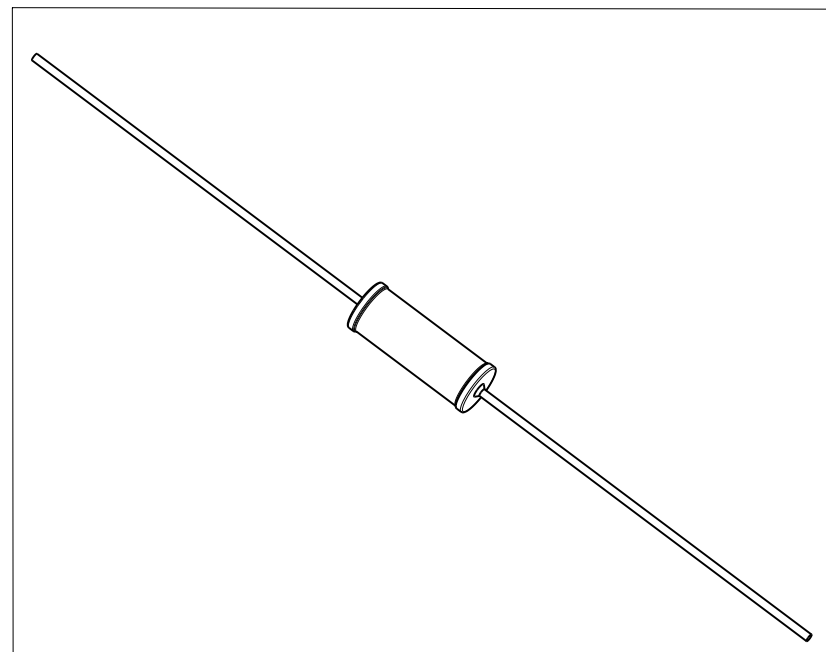
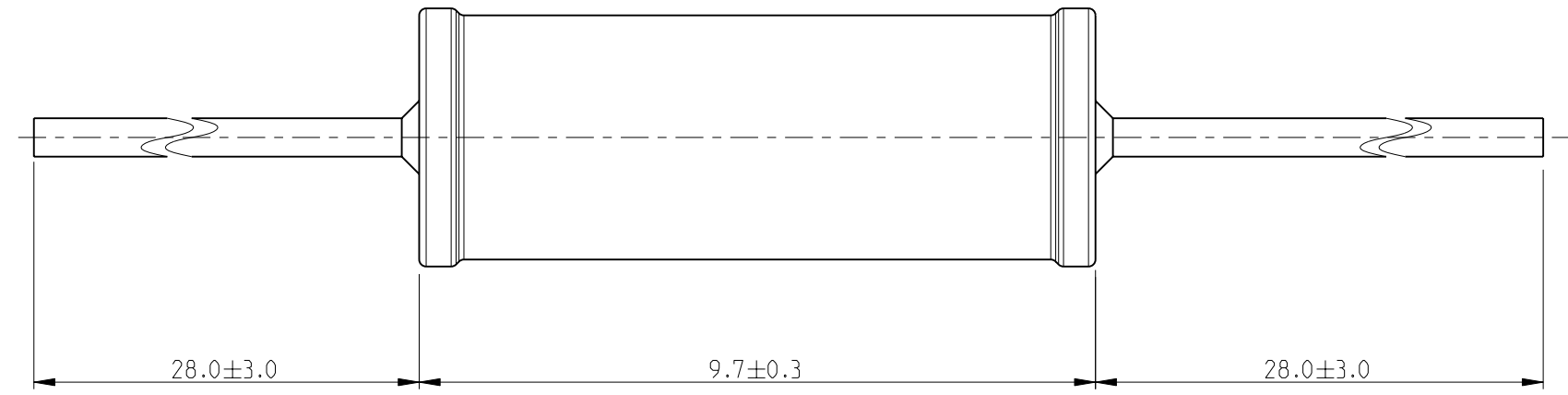
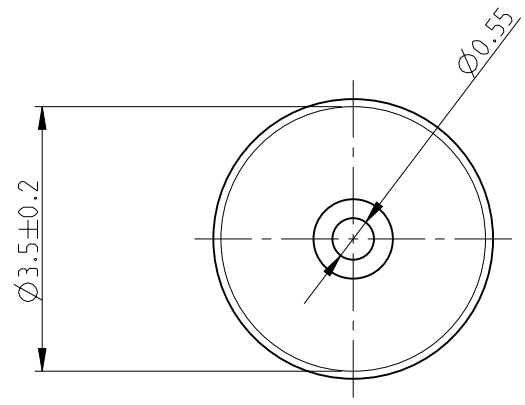
2

1

THIS DRAWING IS UNPUBLISHED. RELEASED FOR PUBLICATION 2010
 © COPYRIGHT 2010 BY TYCO ELECTRONICS CORPORATION. ALL RIGHTS RESERVED.

LOC	DIST	REVISIONS			
P	LTR	DESCRIPTION	DATE	DWN	APVD
	BA	NEW RELEASE	06JULY2010	PT	St.P

FOR FURTHER INFORMATION SEE DATA SHEET FOR SERIES LR, METAL FILM FIXED RESISTORS



RoHS Compliant

THIS DRAWING IS A CONTROLLED DOCUMENT FOR TYCO ELECTRONICS CORPORATION IT IS SUBJECT TO CHANGE AND THE CONTROLLING ENGINEERING ORGANIZATION SHOULD BE CONTACTED FOR THE LATEST REVISION.

DIMENSIONS: mm		TOLERANCES UNLESS OTHERWISE SPECIFIED:	
		0 PLC	± 0.2
		1 PLC	± 0.1
		2 PLC	± -
		3 PLC	± -
		4 PLC	± -
MATERIAL -		ANGLES	± 5°
		FINISH	-

DWN	PARUSURAM.T	06JULY2010
CHK	ALLAN.P	06JULY2010
APVD	STEPHEN.P	06JULY2010
PRODUCT SPEC	-	
APPLICATION SPEC	-	
WEIGHT	-	
CUSTOMER DRAWING		

Tyco Electronics Corporation Dorcan, Swindon, SN3 5HH		NAME	
METAL FILM FIXED RESISTORS		SERIES LR2	
SIZE	CAGE CODE	DRAWING NO	RESTRICTED TO
A3	00779	1622773	-
SCALE 10:1		SHEET 1 OF 1	REV BA