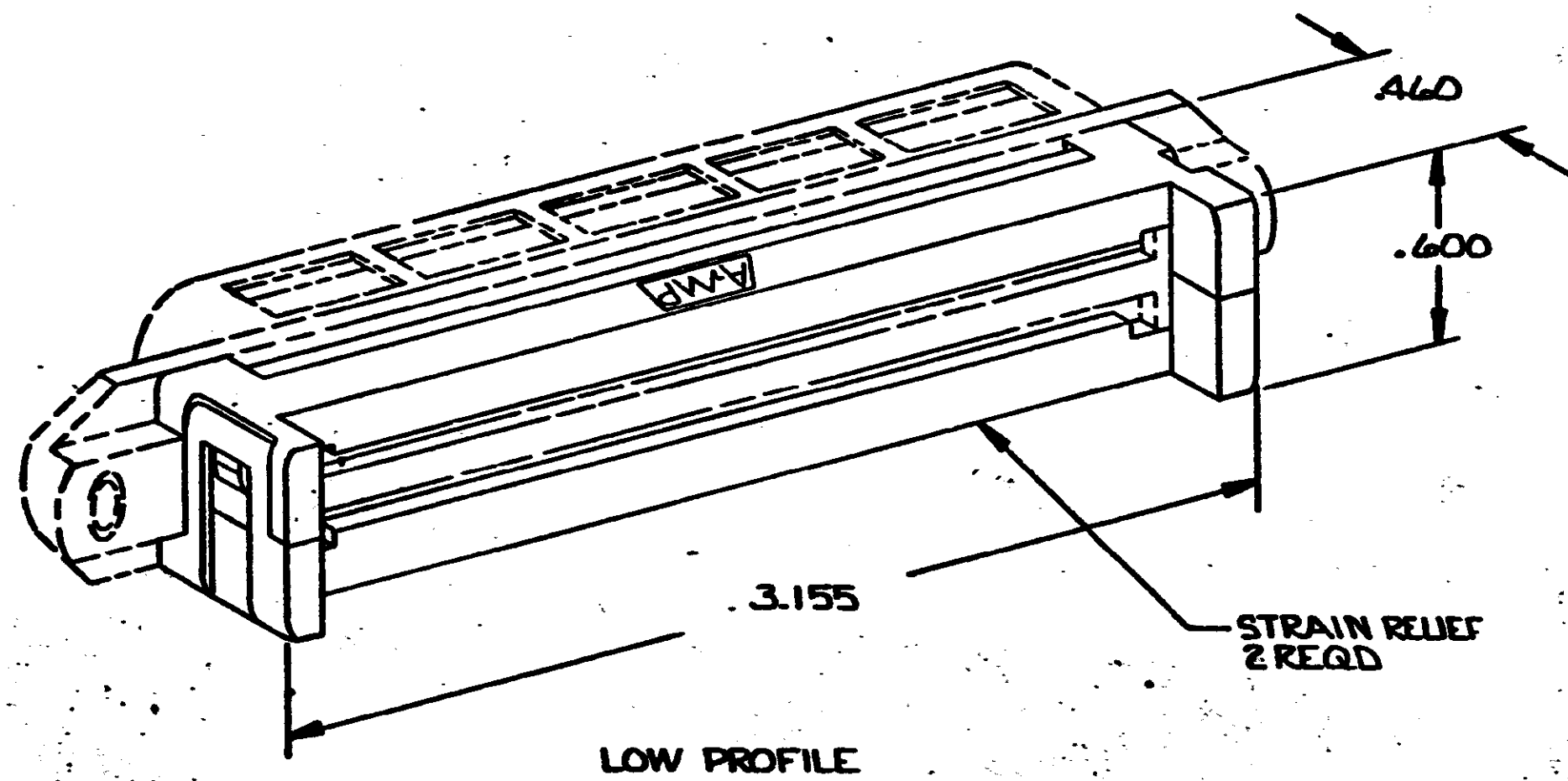


MADE IN THIRD ANGLE PROJECTION

COPYRIGHT 1974 BY AMP INCORPORATED, HARRISBURG, PA.
 ALL INTERNATIONAL RIGHTS RESERVED. AMP INCORPORATED PRODUCTS
 COVERED BY U. S. AND FOREIGN PATENTS AND/OR PATENTS PENDING.

ECN DVS1
 AA 20

REVISIONS						
P	F	ZONE	LTR	DESCRIPTION	DATE	APPROVED
F				SUPSD-1; ECN AA-3253	8/29/80	CS



1 STRAIN RELIEFS SHOWN ASSEMBLED, HOWEVER, THEY ARE NOT SHIPPED ASSEMBLED.
 2. ALL DIMENSIONS SHOWN FOR REFERENCE ONLY UNLESS OTHERWISE SPECIFIED.

LOW PROFILE	BLACK	1-552296-1
DESCRIPTION	COLOR	PART NO

UNLESS OTHERWISE SPECIFIED DIMENSIONS ARE IN INCHES. TOLERANCES ON: DECIMALS ± .01 ANGLES ± .1°	CONTRACT NO	AMP AMP INCORPORATED Harrisburg, Pa.	
	DR <i>R. W. Sizemore</i> 2/29/80	NAME	
MATERIAL THERMOPLASTIC	CHK <i>V. E. Slad</i> 4/21/80	STRAIN RELIEF, 64 POSN, CHAMP	
FINISH —H—	APPD <i>B. G. Ward</i> 4/21/80	SIZE	CODE IDENT NO
	APPD <i>Donnelly</i> 4-21-80	C	00779
	DSGN APPD	DRAWING NO	
	OTHER APPD	552296	
		SCALE 2:1	SHEET 1 OF 1

552296