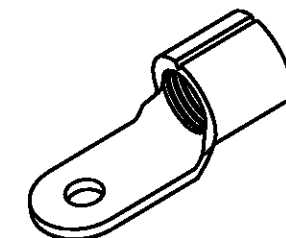
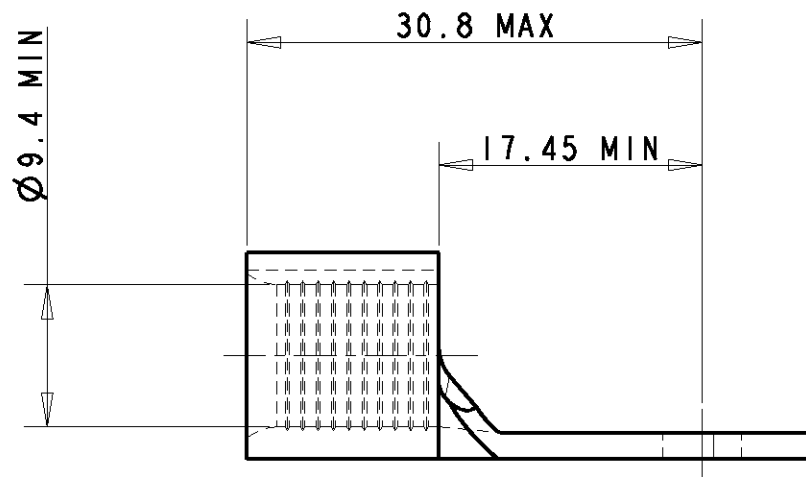
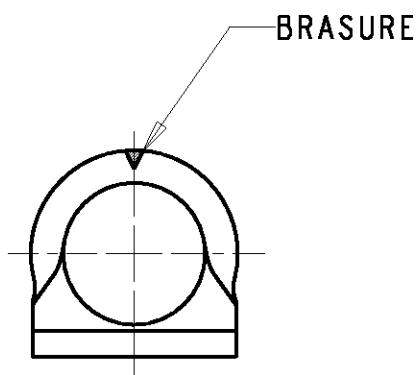
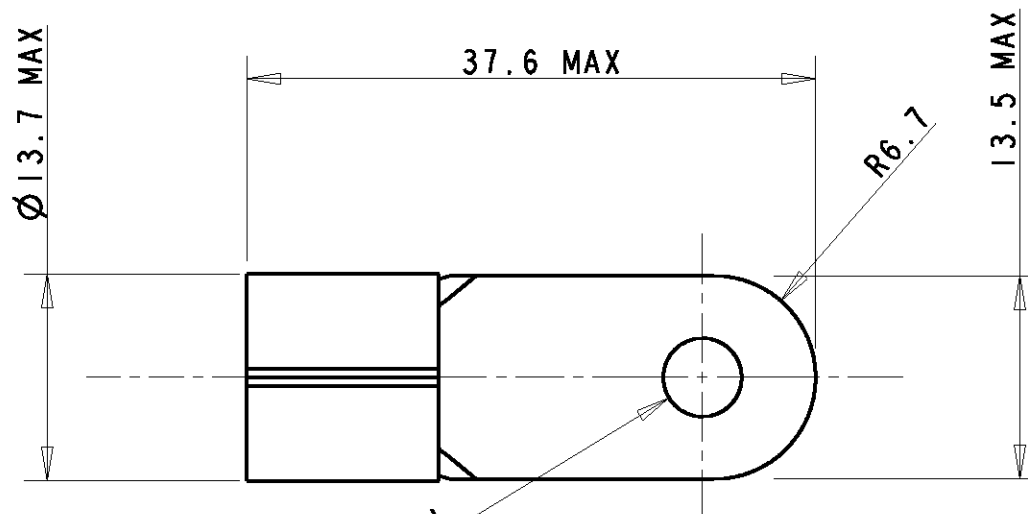


P	LTR	DESCRIPTION	DATE	DWN	APVD

- 1 EPAISSEUR METAL : 1,78±0,08
- 2 SECTION FIL : 26,7 A 42,4 mm<sup>2</sup>
- 3 MARQUAGE : AMP 2W\* 60-75



ECHELLE 1:1



Ø 5.2±0.1  
POUR VIS M 5

REFERENCE : 132101-2

<small>THIS DRAWING IS A CONTROLLED DOCUMENT FOR TYCO ELECTRONICS CORPORATION IT IS SUBJECT TO CHANGE AND THE CONTROLLING ENGINEERING ORGANIZATION SHOULD BE CONTACTED FOR THE LATEST REVISION.</small>		DWN JJ. DESPRETZ 04 JUL 2005 CHK G-ROBERT 04 JUL 2005 APVD Y-PETRONIN 04 JUL 2005	<b>tyco</b> <i>Electronics</i>	TYCO ELECTRONICS France SAS BP 30039, 95301 CERGY-PONTOISE Cedex
DIMENSIONS: mm	TOLERANCES UNLESS OTHERWISE SPECIFIED: 0 PLC ± 1 PLC ±0.30 2 PLC ± 3 PLC ± 4 PLC ± ANGLES ±3	PRODUCT SPEC - APPLICATION SPEC - WEIGHT -	NAME <b>TERMINAL, RING TONGUE,          2 AWG, SOLISTRAND</b>	
MATERIAL CUIVRE FINISH ETAME	DIMENSIONS: 	SIZE A3 CAGE CODE - DRAWING NO C-132101	RESTRICTED TO -	
CUSTOMER DRAWING			SCALE 2:1	SHEET 1 OF 1 REV A