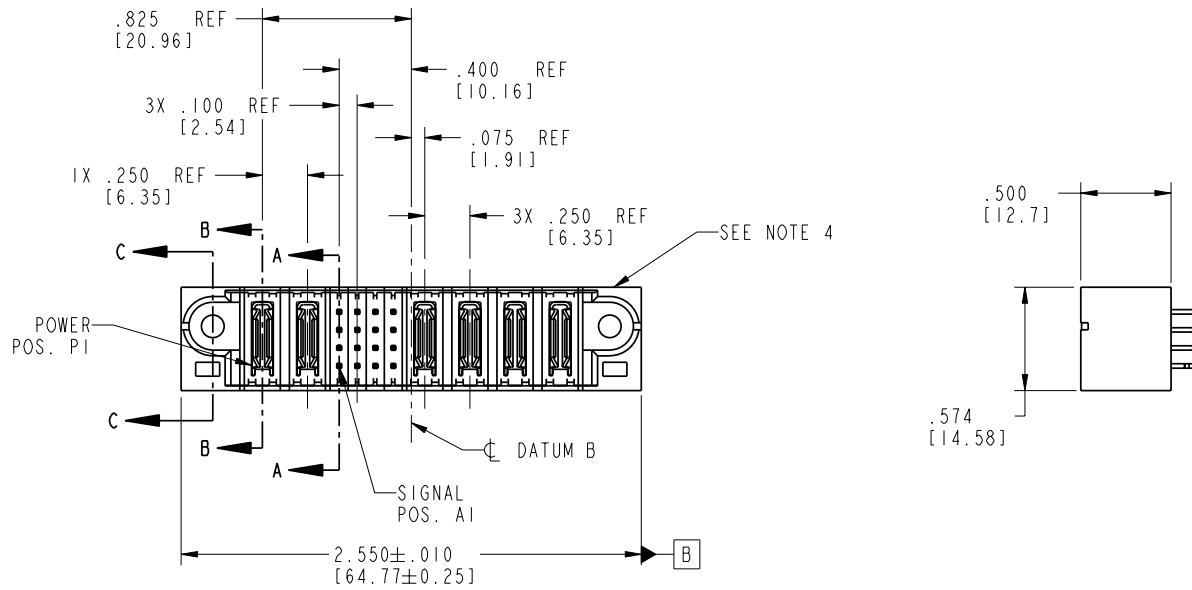


Tous droits strictement réservés. Reproduction ou communication à des tiers interdite sous quelque forme que ce soit sans autorisation écrite du propriétaire. Propriété de c FCI. Droits de reproduction FCI.



All rights strictly reserved. Reproduction or issue to third parties in any form without written authority from the proprietor. Property of FCI. Copyright FCI.

PRODUCT NO.	ROWS	POWER		SIGNAL				POWER				E2	
		E1	P1	P2	1	2	3	4	P3	P4	P5		P6
51710-019-- NOTE ③	0 B A												



CODE	DIM "M" MATING LENGTH	CONTACT TYPE
PA	N/A [N/A]	POWER
E	.270 [6.86]	SIGNAL
L	.308 [7.82]	SIGNAL
HA	N/A [N/A]	HOLD-DOWN

mat'l code SEE NOTE 2				tolerances unless otherwise specified		CUSTOMER			
lfr	ecn no.	dr	date	linear	.XX±.01/0.X±0.3		COPY		www.fciconnect.com
A	DG06-0033	RYAN	03/01/06		.XXX±.005/0.XX±0.13		projection		title 2P + 16S + 4P
				angles	.XXX±.002/0.XXX±0.051				VERTICAL SOLDER HEADER
				dr	RYAN YUAN	03/01/06	INCH/MM		product family PwrBlade
				enrg	SALLY LUO	03/01/06	scale 1:1		code 213
				chr	BEER FU	03/01/06			size 51710-019
				appd	JOSEPH HSIA	03/01/06			sheet 1 of 4
sheet index	revision	A	A	A	A	A			
	sheet	1	2	3	4				

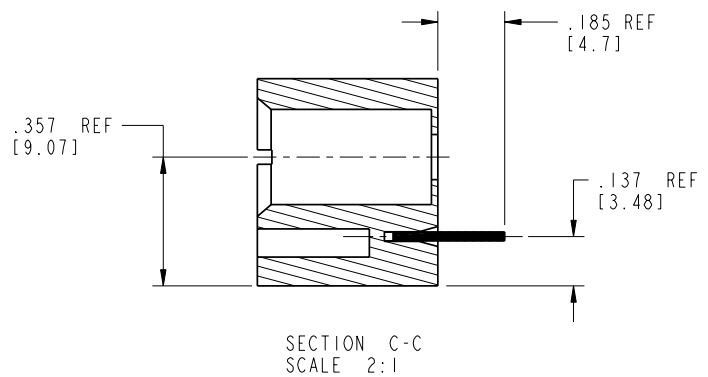
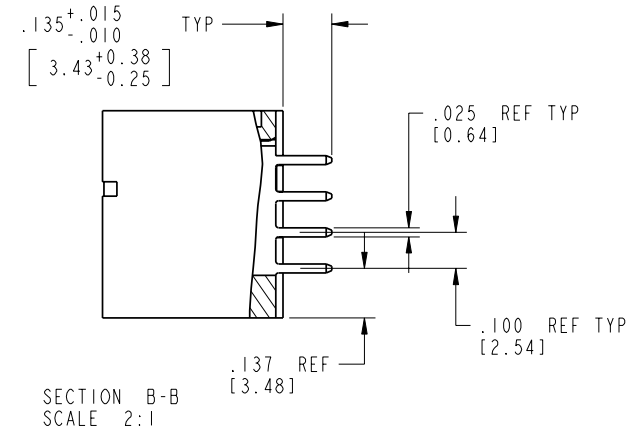
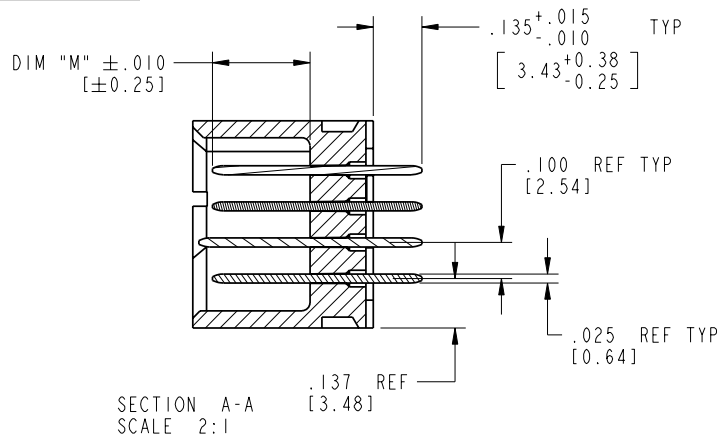
cage code 22526

Pro/E

Tous droits strictement reserves. Reproduction ou communication a des tiers interdite sous quelque forme que ce soit sans autorisation ecrite du proprietaire. Propriete de c FCI. Droits de reproduction FCI.

All rights strictly reserved. Reproduction or issue to third parties in any form whatever is not permitted without written authority from the proprietor. Property of FCI. Copyright FCI.

PRODUCT NUMBER  
51710-019--  
NOTE ③



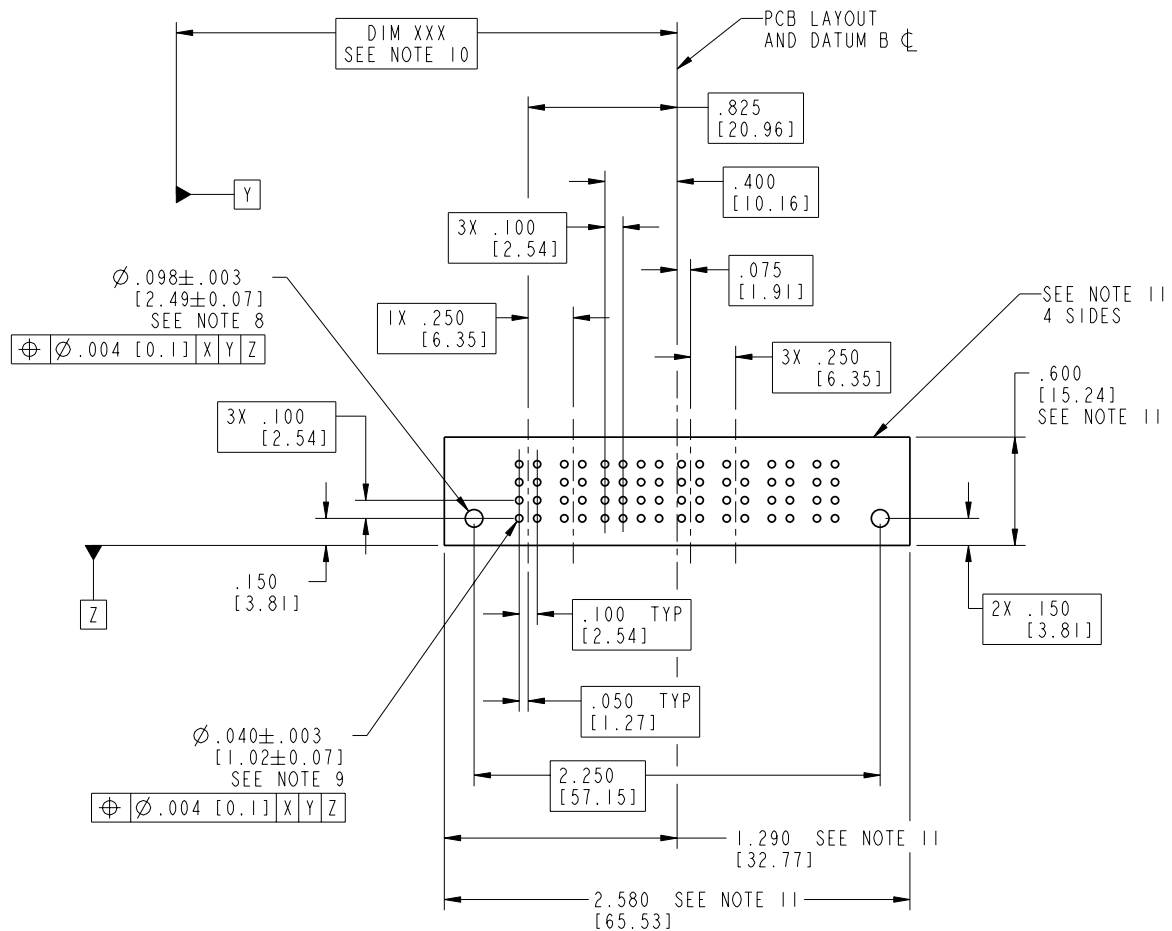
mat'l code SEE NOTE 2				tolerances unless otherwise specified		CUSTOMER		 www.fciconnect.com	
lfr	ecn no.	dr	date	linear	.XX±.01/0.X±0.3	COPY			
A				linear	.XXX±.005/0.XX±0.13	INCH/MM		title	
				linear	.XXX±.002/0.XXX±0.051	1:1		2P + 16S + 4P	
				angles	0° ± 2°	scale		VERTICAL SOLDER HEADER	
				dr	RYAN YUAN 03/01/06	A		product family	
				enr	SALLY LUO 03/01/06	A		PwrBlade	
				chr	BEER FU 03/01/06	A		code	
				appd	JOSEPH HSIA 03/01/06	A		213	
sheet index	revision sheet							sheet	
								2 of 4	

cage code 22526

Tous droits strictement réservés. Reproduction ou communication à des tiers interdite sous quelque forme que ce soit sans autorisation écrite du propriétaire. Propriété de c FCI. Droits de reproduction FCI.

All rights strictly reserved. Reproduction or issue to third parties in any form without written authority from the proprietor. Property of FCI. Copyright FCI.

PRODUCT NUMBER  
51710-019--  
NOTE ③



mat'l code		SEE NOTE 2		tolerances unless otherwise specified		CUSTOMER		 www.fciconnect.com	
lfr	ecn no.	dr	date	linear	.XX±.01/0.X±0.3	COPY		projection	title
A					.XXX±.005/0.XX±0.13				2P + 16S + 4P
				angles	.XXX±.002/0.XXX±0.051				VERTICAL SOLDER HEADER
				dr	0°±2°	RYAN YUAN 03/01/06		INCH/MM	product family
				enrg		SALLY LUO 03/01/06		scale	PwrBlade
				chr		BEER FU 03/01/06		1:1	code
				appd		JOSEPH HSIA 03/01/06		A	213
sheet index	revision sheet							size	3 of 4
								dwg no	
								51710-019	

cage code 22526

Tous droits strictement réservés. Reproduction ou communication à des tiers interdite sous quelque forme que ce soit sans autorisation écrite du propriétaire. Propriété de c FCI. Droits de reproduction FCI.



All rights strictly reserved. Reproduction or issue to third parties in any form whatever is not permitted without written authority from the proprietor. Property of FCI. Copyright FCI.

1 | 2

3 |

4

PRODUCT NUMBER  
51710-019--  
NOTE ③

NOTES:

1. DIMENSIONS AND TOLERANCES ARE IN ACCORDANCE WITH ASME Y14.5M, 1994 UNLESS OTHERWISE SPECIFIED.

CONNECTOR NOTES:

- ② HOUSING MATERIAL: UL 94 V-0 GLASS FILLED HIGH-TEMP THERMOPLASTIC  
POWER CONTACT MATERIAL: COPPER ALLOY  
SIGNAL PIN MATERIAL: COPPER ALLOY
- ③ PLATING:  
SEE PRINT 10064183 FOR PLATING SPEC OF 51710-019; 51710-019LF
- ④ MANUFACTURER'S NAME, P/N, AND DATE CODE TO APPEAR ON THIS SURFACE.

5. PRODUCT SPECIFICATION GS-12-149.  
APPLICATION SPECIFICATION BUS-20-067.

6. PACKAGED IN TRAYS.

PCB NOTES:

7. ALL HOLE DIAMETERS ARE FINISHED HOLE SIZE.

⑨ MOUNTING HOLES, WHERE APPLICABLE, ARE UNPLATED.

⑧  $\varnothing .0453 \pm .0010$  [1.151 ± 0.025] DRILLED HOLES PLATED WITH  
.0003 [0.008] MIN SnPb OVER .001 [0.03]  
TO .003 [0.08] Cu PLATING TO ACHIEVE  
 $\varnothing .040 \pm .003$  [1.02 ± .07] HOLE.

⑩ "DIM XXX" TO BE DETERMINED BY THE CUSTOMER.

⑪ CONNECTOR KEEP-OUT ZONE.

mat'l code				SEE NOTE 2		tolerances unless otherwise specified		CUSTOMER		 www.fciconnect.com	
lfr	ecn no.	dr	date	linear	.XX±.01/0.X±0.3		COPY		projection	title	
A					.XXX±.005/0.XX±0.13					2P + 16S + 4P	
				angles	.XXX±.002/0.XXX±0.051		INCH/MM		VERTICAL SOLDER HEADER		
				dr	0° ± 2°		scale		product family		
				engr	RYAN YUAN	03/01/06	1:1		PwrBlade		
				chr	SALLY LUO	03/01/06			code		
				appd	BEER FU	03/01/06			size		
					JOSEPH HSIA	03/01/06			dwg no		
sheet index		revision sheet						A		51710-019	
										213	
										4 of 4	

1 | 2

Pro/E

3 |

cage code 22526

4