

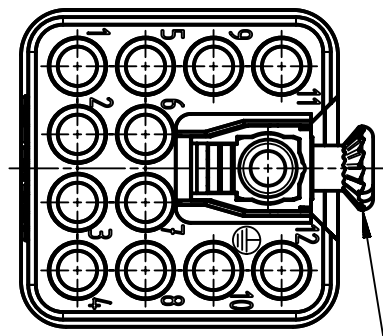
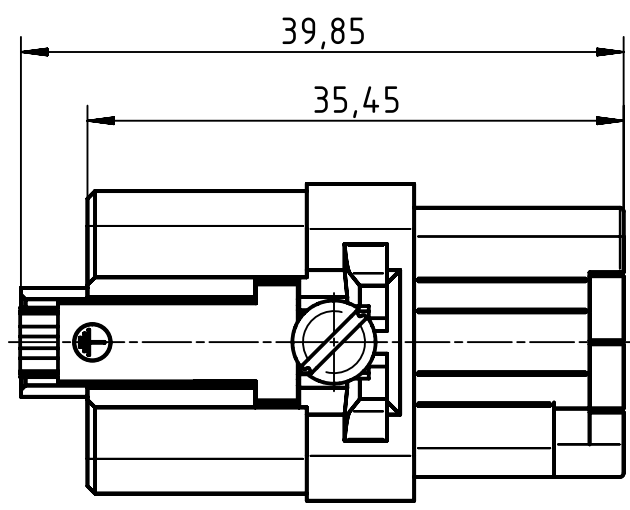
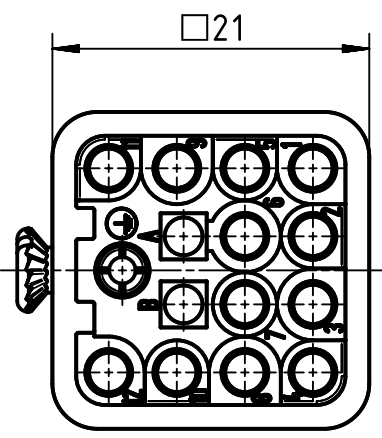
1 2 3 4 5 6

A

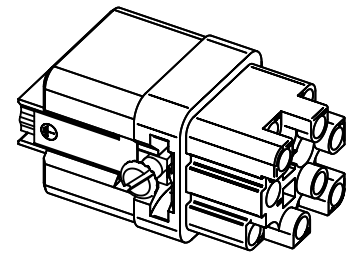
B

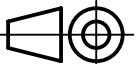
C

D



enclosed separately



|   |   |  |                                   |                          |                             |                    |  |             |
|---|---|--|-----------------------------------|--------------------------|-----------------------------|--------------------|--|-------------|
|  | All rights reserved<br>Department EL PD - DE        |  | Created by<br>RULLKOETTER         | Inspected by<br>BERGHORN | Standardisation<br>TIEMANNA | Date<br>2015-04-20 | State<br>Final Release                                   |             |
|   | HARTING Electric GmbH & Co. KG<br>D-32339 Espelkamp |  | Title<br>Insert Han Q 12/0 Female |                          |                             |                    | Doc-Key / ECM-Nr.<br>100177315/UGD/006/B<br>500000088420 |             |
|   |   |  | Type<br>TB                        | Number<br>09 12 012 3101 |                             |                    | Rev.<br>B  | Page<br>1/1 |