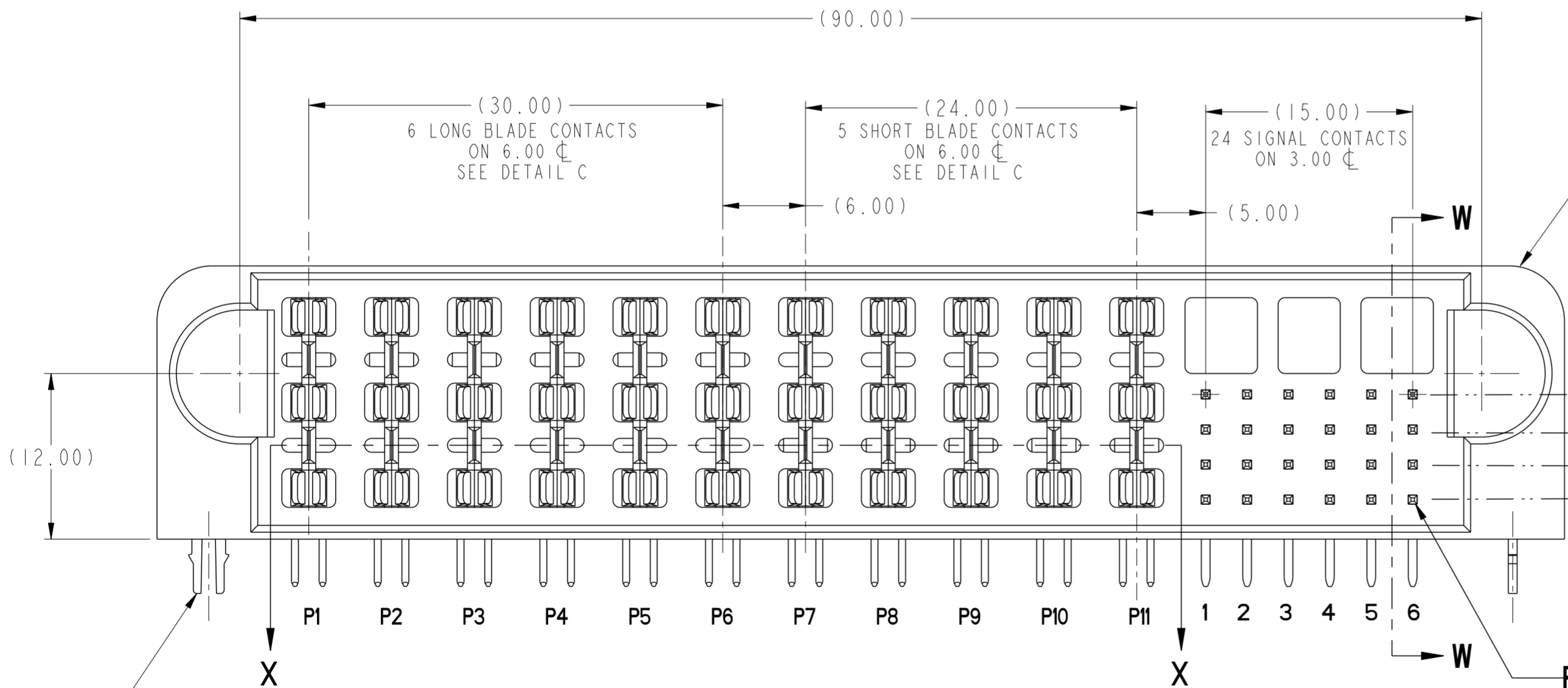


SECTION X-X

SEE DETAIL C



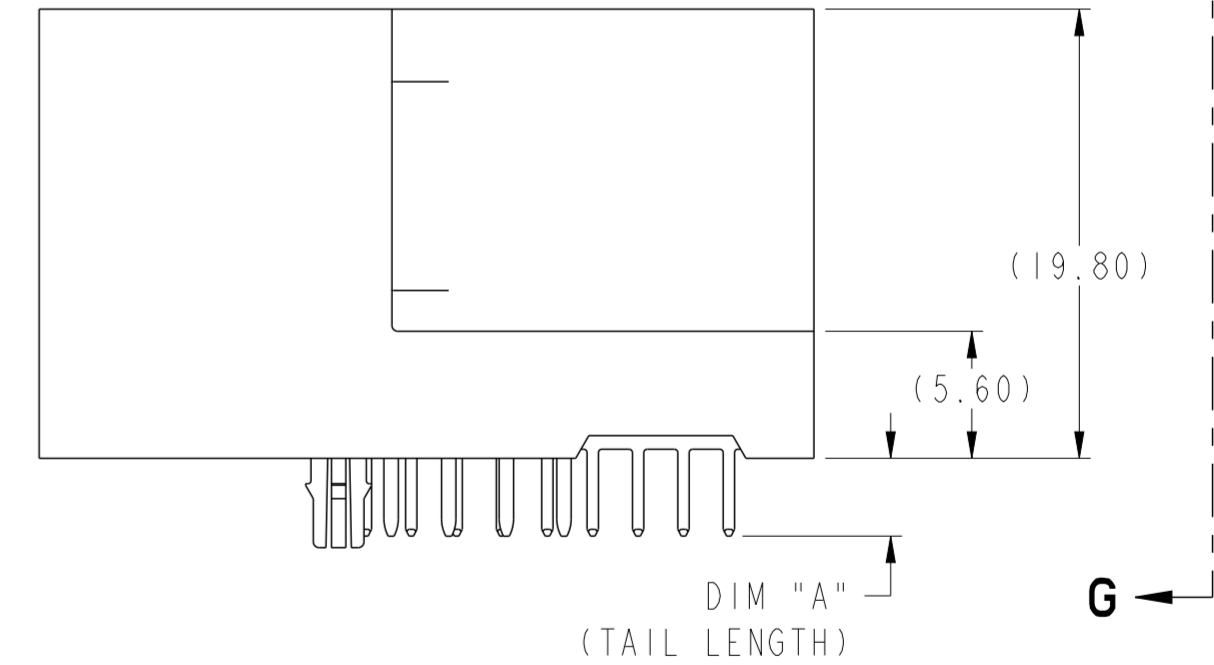
6 LONG BLADE CONTACTS
ON 6.00 ϕ
SEE DETAIL C

5 SHORT BLADE CONTACTS
ON 6.00 ϕ
SEE DETAIL C

24 SIGNAL CONTACTS
ON 3.00 ϕ

HOUSING
NOTE 8

POSITION A6
SHORT DETECT PIN
SEE SECTION W-W



DIM "A"
(TAIL LENGTH)



Copyright FCI.

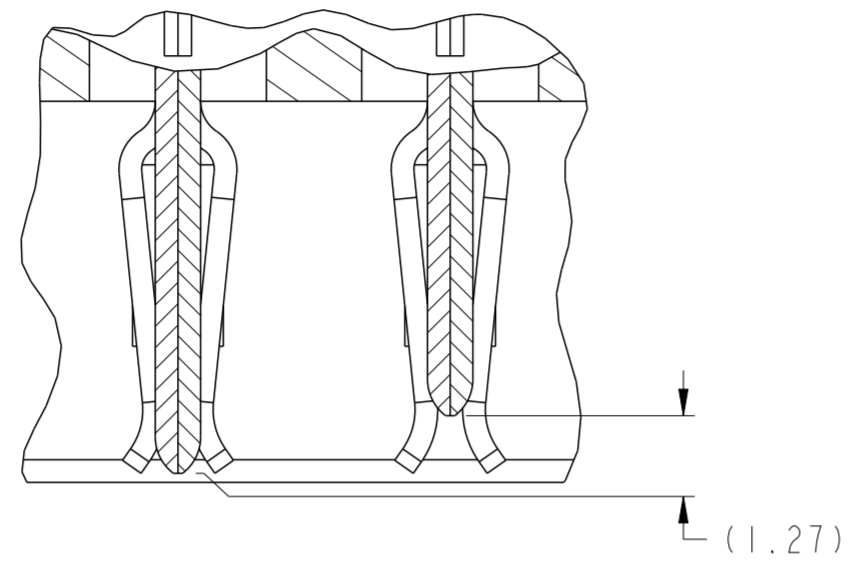
RETENTION CLIPS
OPTIONAL
(SEE P/N TABLE)

spec ref	-	dr	Not Found DuWa	2010/04/28	projection	MM	size	A2	scale	3:1												
tolerance std	ASME Y14.5	eng	De-Ming Lu	2014/12/28			ecn no	ELX-DG-19849-1	rel level Released													
TOLERANCES UNLESS OTHERWISE SPECIFIED		chr	-	product family			HCI															
surface	<table border="1"> <tr> <td>linear</td> <td>0.X</td> <td>± 0.5</td> </tr> <tr> <td></td> <td>0.XX</td> <td>± 0.25</td> </tr> <tr> <td></td> <td>0.XXX</td> <td>± 0.10</td> </tr> <tr> <td>angular</td> <td>0°</td> <td>$\pm 2^\circ$</td> </tr> </table>	linear	0.X	± 0.5				0.XX		± 0.25		0.XXX	± 0.10	angular	0°	$\pm 2^\circ$	appr	Pei-Ming Zheng	2014/12/29	title	R/A HEADER ASSY IIDC+24S	cat. no.
linear	0.X	± 0.5																				
	0.XX	± 0.25																				
	0.XXX	± 0.10																				
angular	0°	$\pm 2^\circ$																				
ASME Y14.5				www.fci.com		title HCI POWER CONNECTOR		dwg no 10082091	rev C													

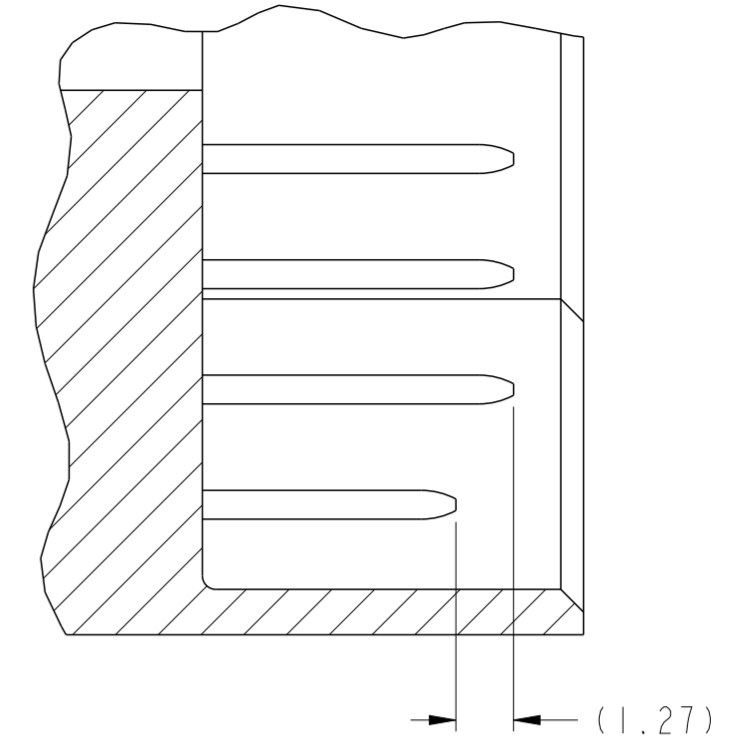
PDS: Rev :C

STATUS:Released

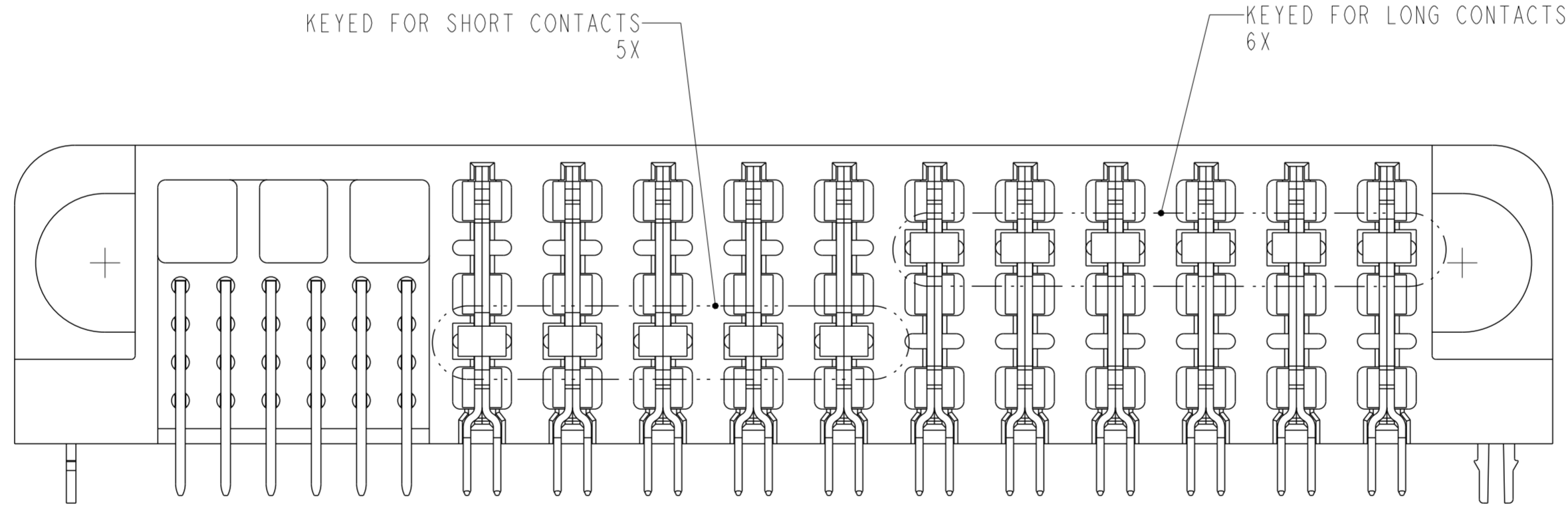
Printed: Dec 30, 2014



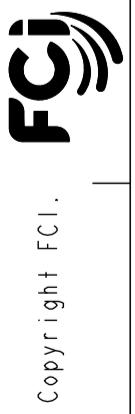
DETAIL C
SCALE 6:1
POWER MATING SEQUENCE



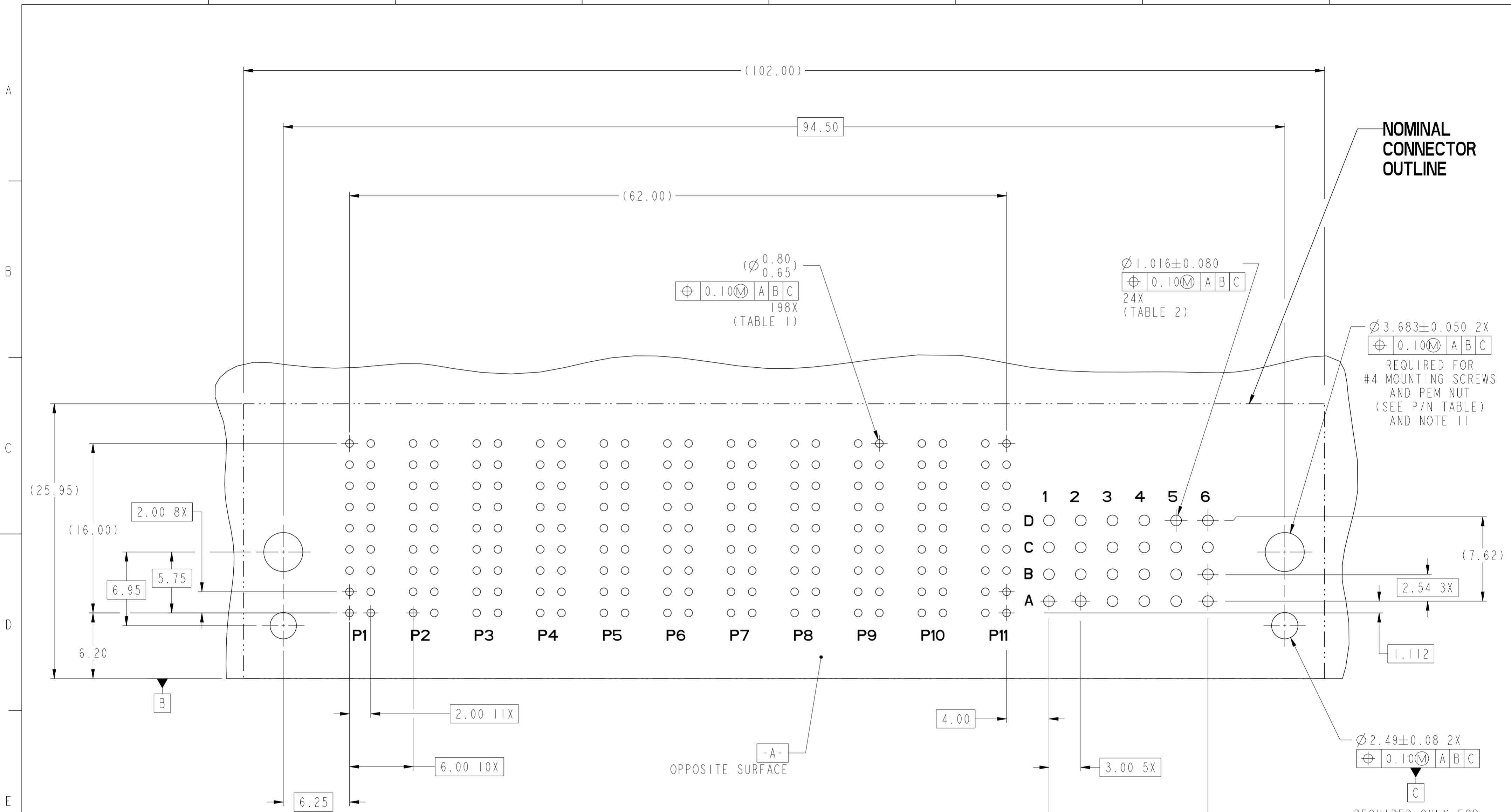
SECTION W-W
SCALE 6:1
SIGNAL MATING SEQUENCE



VIEW G-G



dr	Not Found DuWa	2010/04/28	projection	MM	size	A2	scale	3:1
eng	De-Ming Lu	2014/12/28			ecn no	ELX-DG-19849-1		
chr	-	-			rel level	Released		
appr	Pei-Ming Zheng	2014/12/29	product family	HCI				
		title	R/A HEADER ASSY 11DC+24S		dwg no	10082091		rev
www.fci.com		cat. no.	-		Product - Customer Drw	sheet 2 of 5		C



**RECOMMENDED PCB LAYOUT
COMPONENT SIDE**

NOTE 6

dr	Not Found DuWa	2010/04/28	projection	MM	size	A2	scale	4:1
eng	De-Ming Lu	2014/12/28			ecn no	ELX-DG-19849-1		
chr	-	-			rel level	Released		
appr	Pai-Ming Zheng	2014/12/29	product family	-	rel level	Released		
		FCI	FCI	FCI	FCI	FCI	FCI	FCI
title	R/A HEADER ASSY 11DC+24S		dwg no	10082091		rev	C	
www.fci.com	cat. no.	-	Product - Customer Drw	sheet 3 of 5				

A

A

B

B

C

C

D

D

E

E

F

F

TOP LAYER DESCRIPTION

TABLE 1 (HCI POWER)
PLATED THROUGH-HOLE REQUIREMENTS

TOP LAYER DESCRIPTION	DRILLED HOLE DIAMETER	COPPER THICKNESS	TIN-LEAD THICKNESS	NICKEL THICKNESS	GOLD THICKNESS	TIN THICKNESS	SILVER THICKNESS	FINISHED HOLE DIAMETER
TIN-LEAD	0.81-0.86 (0.85 DRILL)	0.025 - 0.050	0.005 - 0.015	--	--	--	--	0.65 - 0.80
IMMERSION TIN	0.81-0.86 (0.85 DRILL)	0.025 - 0.050	--	--	--	0.9 - 1.5um	--	0.70 - 0.80
IMMERSION SILVER	0.81-0.86 (0.85 DRILL)	0.025 - 0.050	--	--	--	--	0.15 - 0.65um	0.70 - 0.80
COPPER (SEE NOTE 9)	0.81-0.86 (0.85 DRILL)	0.025 - 0.050	--	--	--	--	--	0.70 - 0.80
GOLD	0.81-0.86 (0.85 DRILL)	0.025 - 0.050	--	0.003 - 0.007	FLASH UP TO 0.0002	--	--	0.69 - 0.80

TOP LAYER DESCRIPTION

TABLE 2 (HPC SIGNALS)
PLATED THROUGH-HOLE REQUIREMENTS

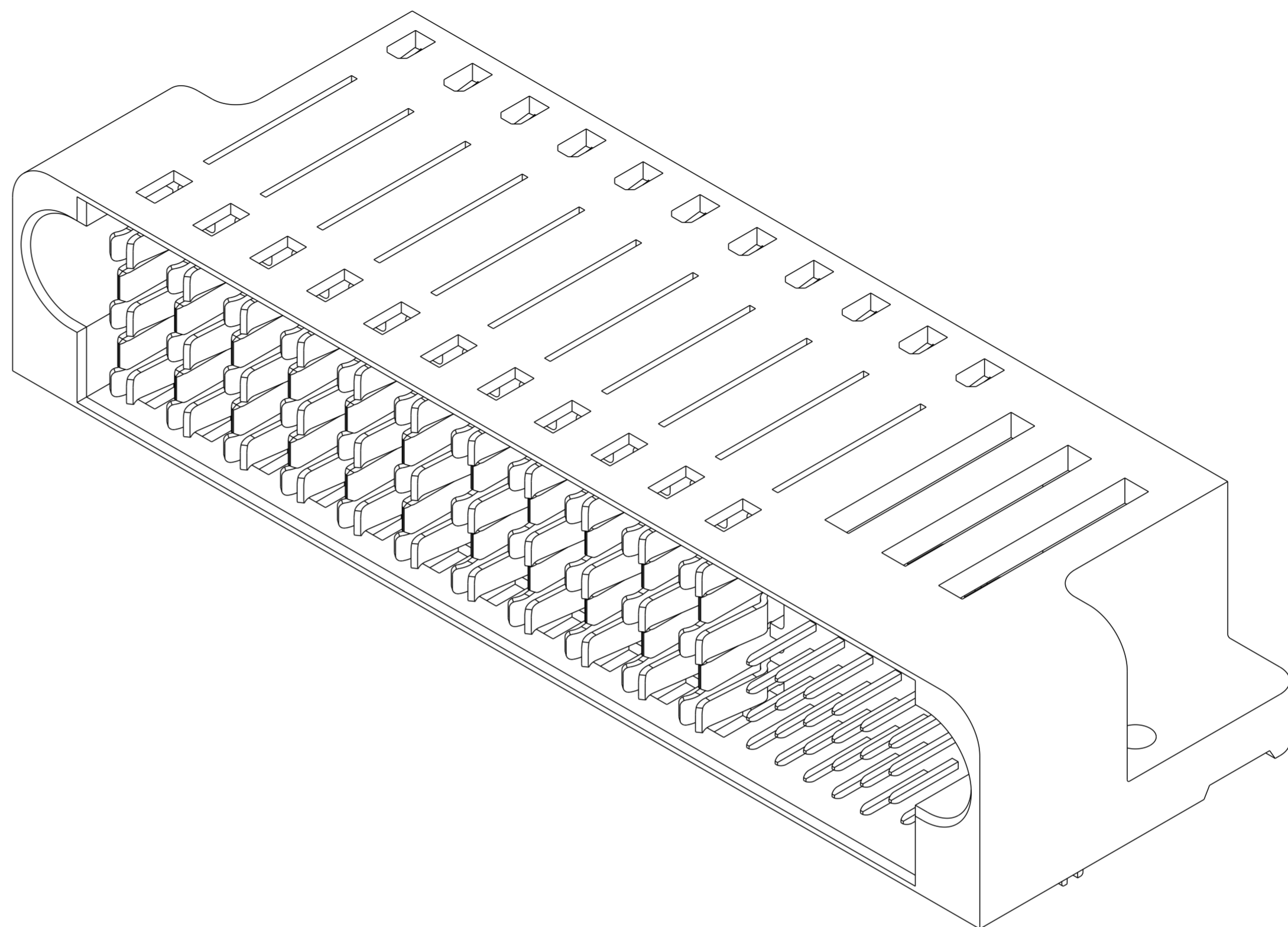
TOP LAYER DESCRIPTION	DRILLED HOLE DIAMETER	COPPER THICKNESS	TIN-LEAD THICKNESS	NICKEL THICKNESS	GOLD THICKNESS	TIN THICKNESS	SILVER THICKNESS	FINISHED HOLE DIAMETER
TIN-LEAD	1.125-1.175 ($\varnothing .0453 \pm .0010$)	0.025-0.050	0.005-0.015	--	--	--	--	0.94 - 1.10 ($\varnothing .040 \pm .003$)
IMMERSION TIN			--	--	--	--	--	
IMMERSION SILVER			--	--	--	--	--	
COPPER (SEE NOTE 9)			--	--	--	--	--	
GOLD			--	--	--	--	--	



Copyright FCI.

dr	Not Found DuWa	2010/04/28	projection	MM	size	A2	scale	4:1
eng	De-Ming Lu	2014/12/28			ecn no	ELX-DG-19849-1		
chr	-	-			rel level	Released		
appr	Pei-Ming Zheng	2014/12/29	product family	-	cat. no.	-		
		title R/A HEADER ASSY IIDC+24S HCI POWER CONNECTOR		dwg no 10082091	rev C		Product - Customer Drw sheet 4 of 5	

PART NUMBER	RETENTION CLIPS	#4 SCREW	DIM A ±0.25 (TAIL LENGTH)	TAIL TYPE
10082091-001LF	NO	YES	3.43	SOLDER TAIL
10082091-002LF	NO	YES	4.70	SOLDER TAIL
10082091-003LF	YES	NO	3.43	SOLDER TAIL
10082091-004LF	YES	NO	4.70	SOLDER TAIL



NOTES:

1. CONNECTOR MATERIALS:
HOUSING: HIGH TEMPERATURE THERMOPLASTIC, BLACK
UL 94V-0 COMPLIANT
CONTACTS: HIGH PERFORMANCE COPPER ALLOY
2. CONTACT FINISH (ref GS-12-380 SECTION 5.2)
3. PRODUCT SPECIFICATION: GS-12-380.
4. APPLICATION SPECIFICATION: GS-20-070.
5. PRODUCT MARKING (PRODUCT NUMBER & DATE CODE) ON HOUSING IN AREA SHOWN.
6. MINIMUM NOMINAL PCB THICKNESS: 1.6mm
7. PACKAGING MEETS FCI SPECIFICATION GS-14-1073.
8. HOUSING COMPONENT WILL WITHSTAND EXPOSURE TO 260°C PEAK TEMPERATURE FOR 60 SECONDS IN A CONVECTION, INFRA-RED, OR VAPOR PHASE REFLOW OVEN.
9. COPPER PLATING THICKNESS IN CENTER OF VIA-HOLE CAN BE NO MORE THAN 0.003 LESS THAN OTHER AREAS.
10. ALL HOLE SIZES ARE FINISHED HOLE SIZES.
11. MOUNTING HOLES ARE UNPLATED.

dr	Not Found DuWa	2010/04/28	projection	MM	size	A2	scale	3:1
eng	De-Ming Lu	2014/12/28			ecn no	ELX-DG-19849-1		
chr	-	-			rel level	Released		
appr	Pei-Ming Zheng	2014/12/29	product family	HCI	cat. no.	10082091		
		title R/A HEADER ASSY 11DC+24S HCI POWER CONNECTOR		dwg no 10082091	rev C			
www.fci.com		Product - Customer Drw		sheet 5 of 5				