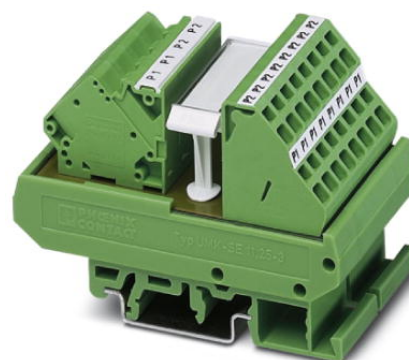


UMK- PVB 2/48/ZFKDS

Order No.: 2302382

The illustration shows version UMK- PVB 2/16/ZFKDS




<http://eshop.phoenixcontact.de/phoenix/treeViewClick.do?UID=2302382>

VARIOFACE module, with two equipotential busbars (P1, P2) for potential distribution, for mounting on NS 35/7.5 or NS 32



Commercial data

| | |
|--------------------------|--|
| GTIN (EAN) |  4 017918 880507 |
| sales group | I110 |
| Pack | 1 pcs. |
| Customs tariff | 85369010 |
| Catalog page information | Page 297 (IF-2009) |

Product notes

WEEE/RoHS-compliant since:
07/17/2006



<http://www.download.phoenixcontact.com>
Please note that the data given here has been taken from the online catalog. For comprehensive information and data, please refer to the user documentation. The General Terms and Conditions of Use apply to Internet downloads.

Technical data

General data

| | |
|-----------------------|-------------|
| Nominal voltage U_N | 250 V AC/DC |
| Width | 135 mm |
| Height | 77 mm |

| | |
|---|---|
| Depth | 52 mm |
| Ambient temperature (operation) | -20 °C ... 50 °C |
| Ambient temperature (storage/transport) | -20 °C ... 70 °C |
| Mounting position | Any |
| Name | Air and creepage distances in a circuit |
| Standards/regulations | DIN EN 50178 |
| Rated surge voltage / insulation | 2.3 kV / basic insulation |
| Rated insulation voltage | 260 V AC |
| Pollution degree | 2 |
| Surge voltage category | II |

Connection data, supply

| | |
|--|------------------------|
| Conductor cross section solid min. | 0.2 mm ² |
| Conductor cross section solid max. | 6 mm ² |
| Conductor cross section stranded min. | 0.2 mm ² |
| Conductor cross section stranded max. | 4 mm ² |
| Conductor cross section AWG/kcmil min. | 24 |
| Conductor cross section AWG/kcmil max | 10 |
| Type of connection | Spring-cage connection |
| Stripping length | 8 mm |

Connection data, distribution

| | |
|--|---------------------|
| Conductor cross section solid min. | 0.2 mm ² |
| Conductor cross section solid max. | 4 mm ² |
| Conductor cross section stranded min. | 0.2 mm ² |
| Conductor cross section stranded max. | 2.5 mm ² |
| Conductor cross section AWG/kcmil min. | 24 |
| Conductor cross section AWG/kcmil max | 12 |
| Stripping length | 8 mm |

Certificates / Approvals



Certification

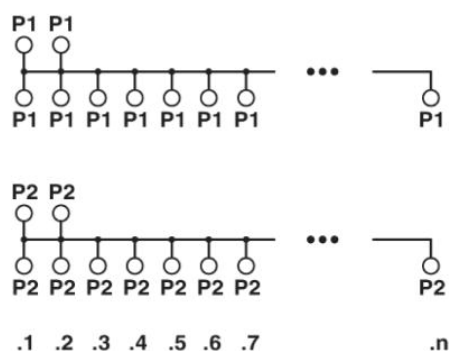
CUL, GOST, UL

Accessories

| Item | Designation | Description |
|--------------|---------------|---|
| Tools | | |
| 1204517 | SZF 1-0,6X3,5 | Actuation tool, for ST terminal blocks, also suitable for use as a bladed screwdriver, size: 0.6 x 3.5 x 100 mm, 2-component grip, with non-slip grip |

Diagrams/Drawings

Circuit diagram



Address

PHOENIX CONTACT Deutschland GmbH
Flachmarktstr. 8
32825 Blomberg, Germany
Phone +49 5235 3 12000
Fax +49 5235 3 41200
<http://www.phoenixcontact.de>



© 2011 Phoenix Contact
Technical modifications reserved;