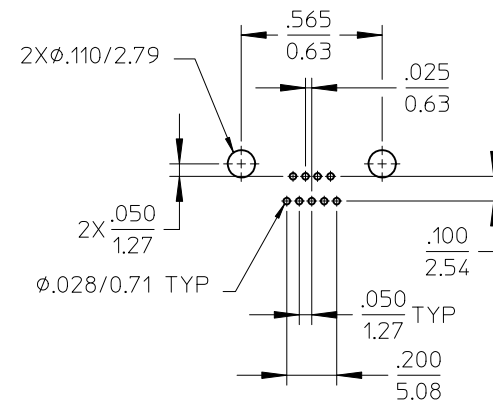
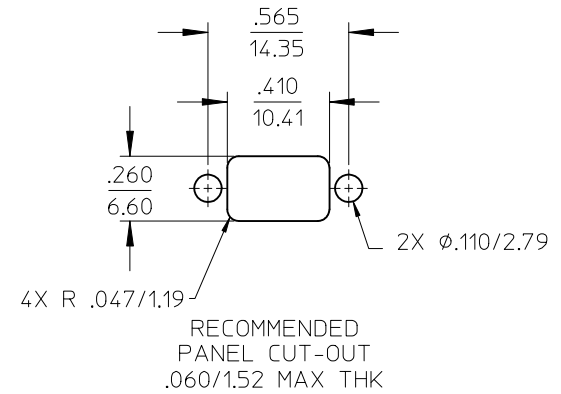
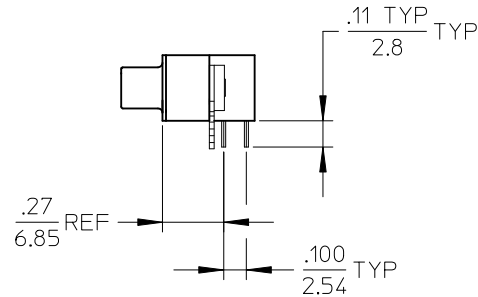
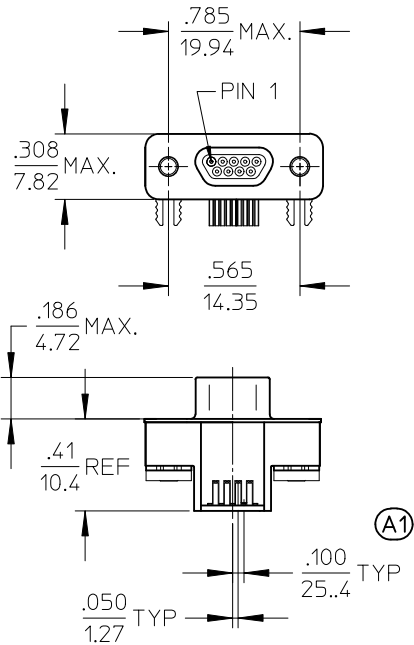


MATERIAL NO.	ENG. NO.
836119204	83611-9204



SALES DRAWING

NOTES:  
 1) REFER TO PS-83421-9000 FOR PRODUCT SPEC.  
 2) USERS SHOULD DETERMINE THE FUNCTIONALITY OF THIS PRODUCT WITHIN THEIR APPLICATION.

ADD MISSING DIM. EC NO: WNA2010-0482 DRW: RUPERT 2010/07/09 CHK: B. RUPERT 2010/04/21 APPR: J. MURPHY 2010/04/21	QUALITY SYMBOLS	GENERAL TOLERANCES (UNLESS SPECIFIED)	DIMENSION STYLE	SCALE	DESIGN UNITS	THIRD ANGLE PROJECTION	
	▽=0 ▽=0	mm INCH 4 PLACES ± --- ± --- 3 PLACES ± --- ± .010 2 PLACES ± 0.02 ± .020 1 PLACE ± 0.5 ± --- ANGULAR ± 1 °	IN/MM	2:1	INCH	DRAWN BY DATE JAL 03/11/04 CHECKED BY DATE JJP 03/11/06 APPROVED BY DATE RWD 03/11/06	
	DRAFT WHERE APPLICABLE MUST REMAIN WITHIN DIMENSIONS	MATERIAL NO.	DOCUMENT NO.	TITLE CONNECTOR COMM.D PLUG RIGHT ANGLE W/O JACKPOST SIZE 9		MOLEX INCORPORATED	SHEET NO. 1 OF 1
	A1	836119204	SD-83611-009	THIS DRAWING CONTAINS INFORMATION THAT IS PROPRIETARY TO MOLEX INCORPORATED AND SHOULD NOT BE USED WITHOUT WRITTEN PERMISSION			