

4

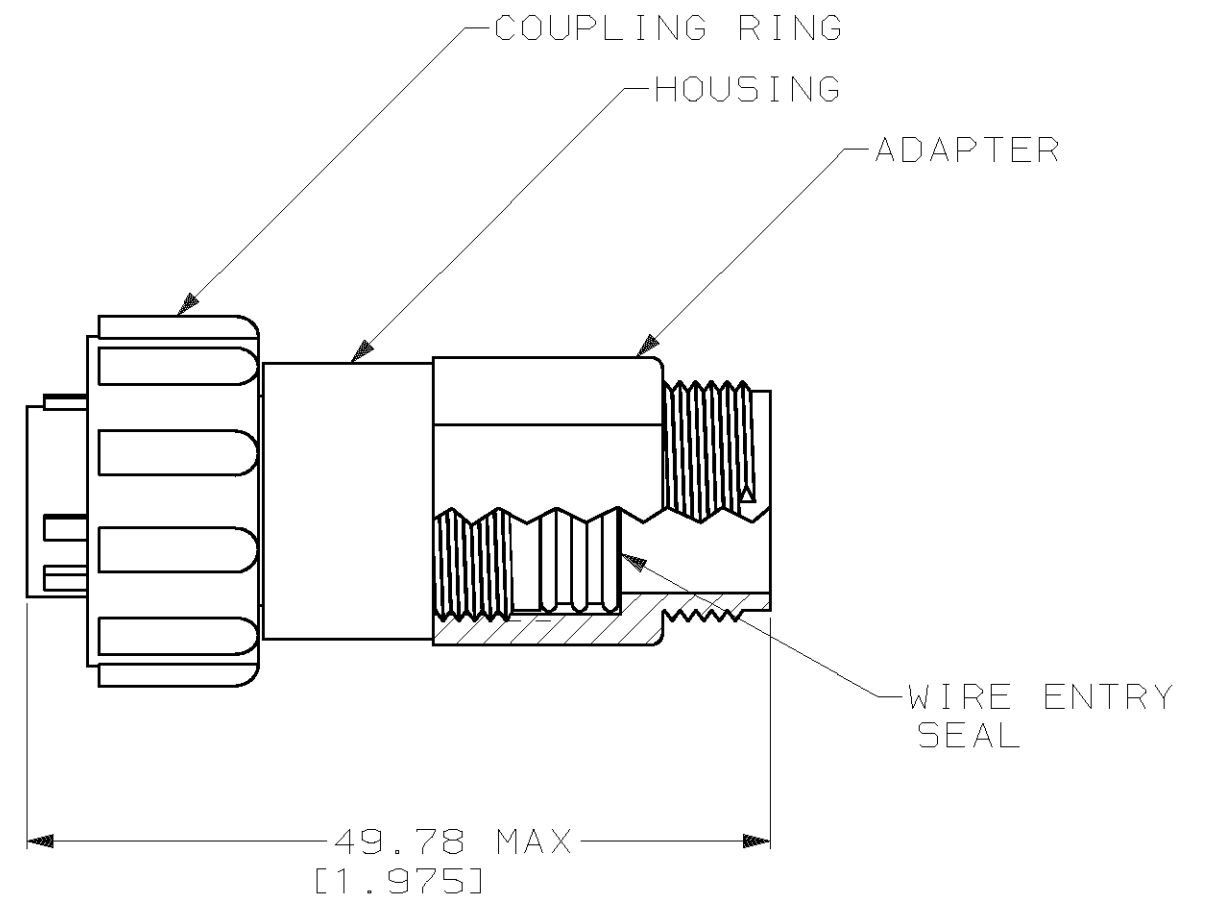
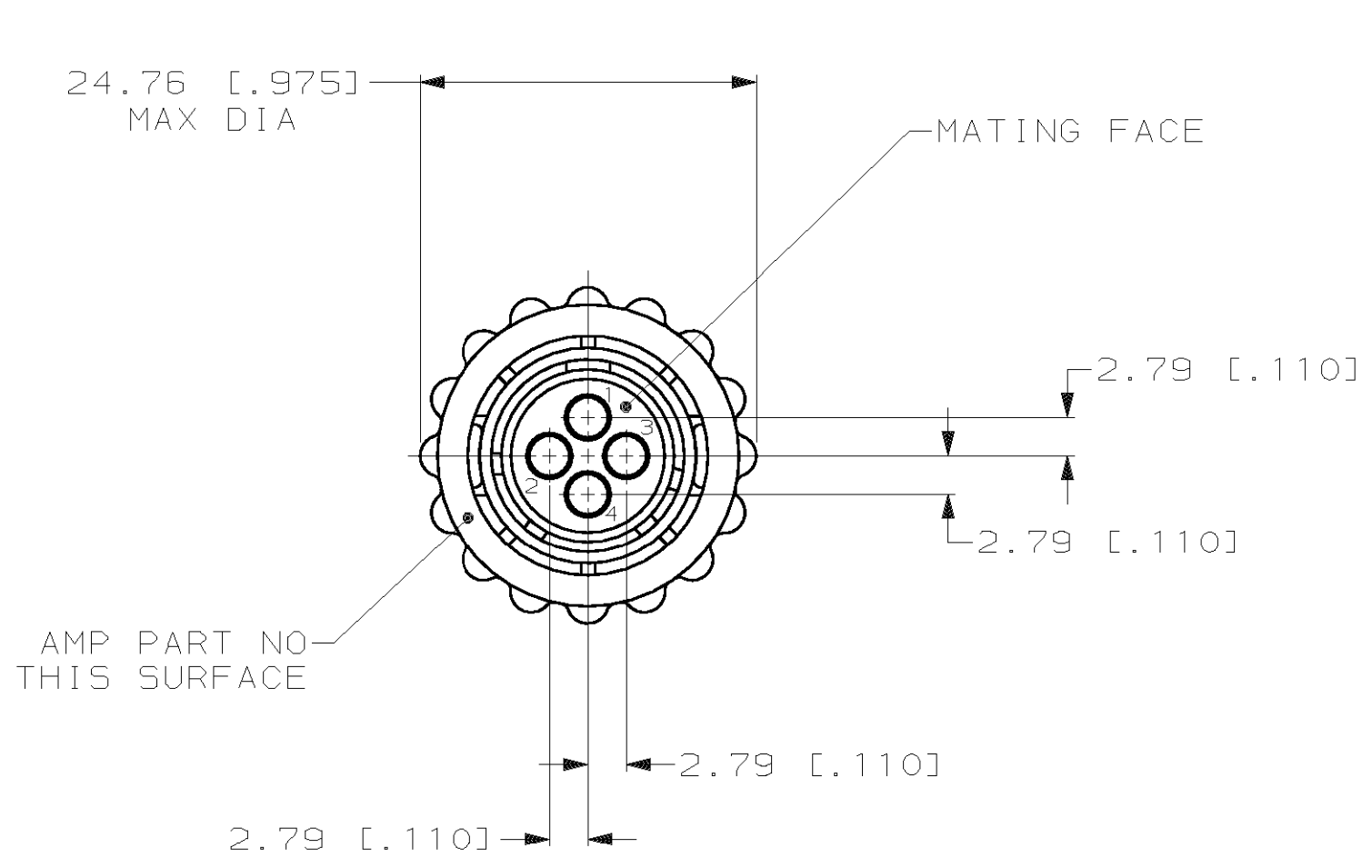
3

2

1

THIS DRAWING IS UNPUBLISHED. RELEASED FOR PUBLICATION ,19 .
 © COPYRIGHT 19 BY AMP INCORPORATED. ALL RIGHTS RESERVED.

LOC	DIST	REVISIONS			
P	LTR	DESCRIPTION	DATE	DWN	APVD
FT	0	0	RELEASED -2 PER NPR 5730	21 OCT 99	DH KD



- 1 HOUSING, COUPLING RING & ADAPTER: NYLON 6/6, BLACK.
WIRE ENTRY SEAL: ELASTOMER, RED.
- 2. THIS CONNECTOR WILL ACCEPT FOUR (4) MULTIMATE PIN CONTACTS.

788153-2
 PART NUMBER

THIS DRAWING IS A CONTROLLED DOCUMENT.		DWN P. BENNINGHOVE 01 OCT 97	AMP AMP Incorporated Harrisburg, PA 17105-3608	
		CHK K. DOWHOWER 28 OCT 99		
DIMENSIONS: mm [INCHES]	TOLERANCES UNLESS OTHERWISE SPECIFIED:	APVD K. DOWHOWER 28 OCT 99	NAME PLUG ASSEMBLY, 11-4, REVERSE SEX, SERIES I, SEALED, CPC	
	0 PLC ±-	PRODUCT SPEC 108-1579	SIZE A3	CAGE CODE 00779
	1 PLC ±-	APPLICATION SPEC 114-10038	DRAWING NO C- 788153	RESTRICTED TO -
MATERIAL	FINISH -	WEIGHT -	CUSTOMER DRAWING	
			SCALE 2:1	SHEET 1 OF 1
			REV 0	