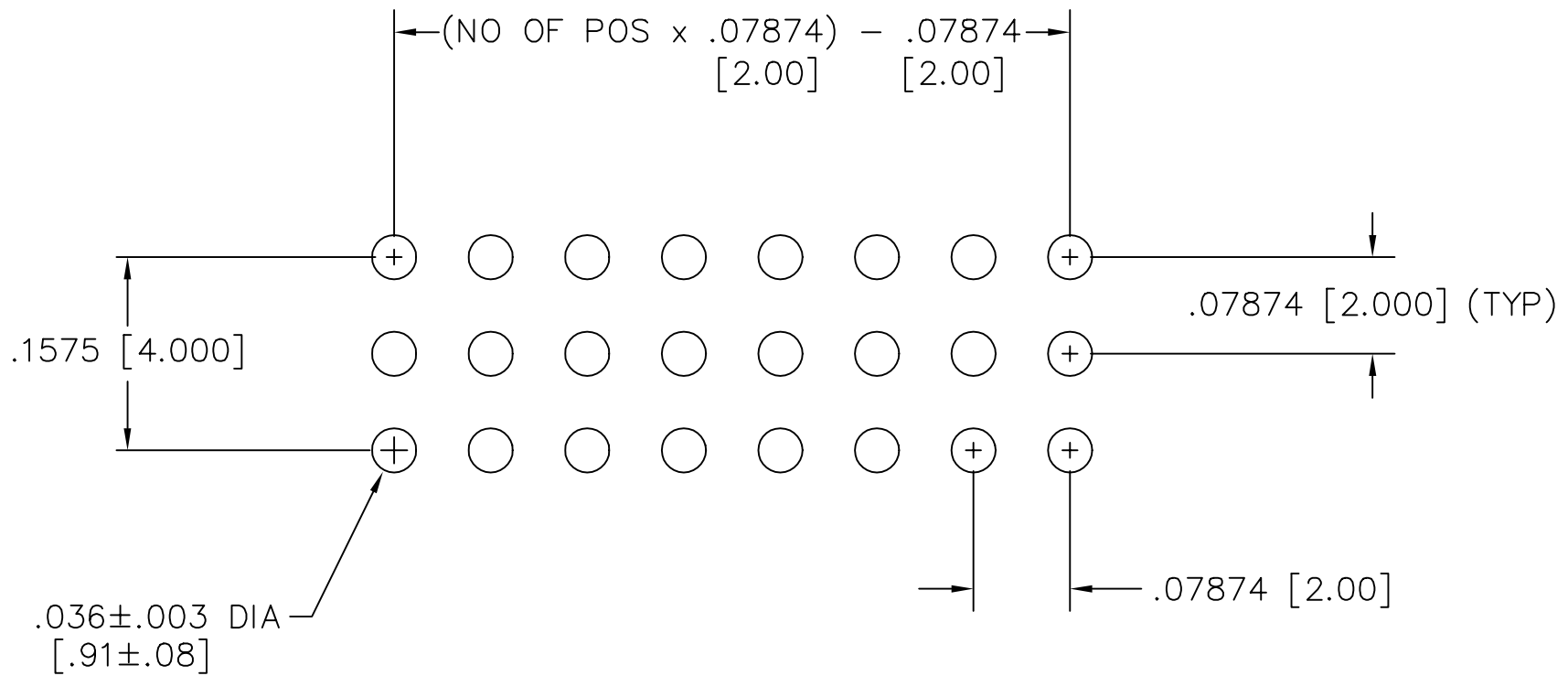


REV A

# RECOMMENDED P.C. BOARD LAYOUT FOR SQT (TRIPLE ROW)



1-8-99

MISC\MKTG\FOOTPRINT  
SQT-TH-3

**samtec**

810 PROGRESS BLVD. NEW ALBANY, INDIANA 47150  
PHONE (812) 944-6733 P.O. BOX 1147

PLOT SCALE: 1 = .1