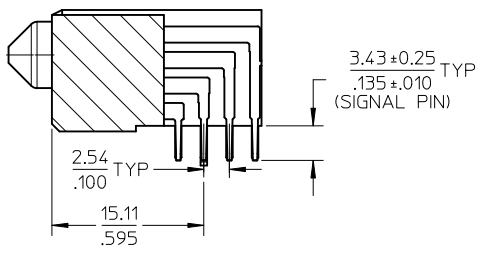
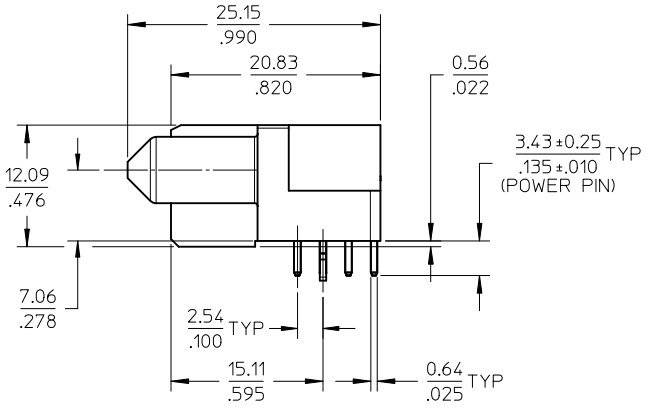
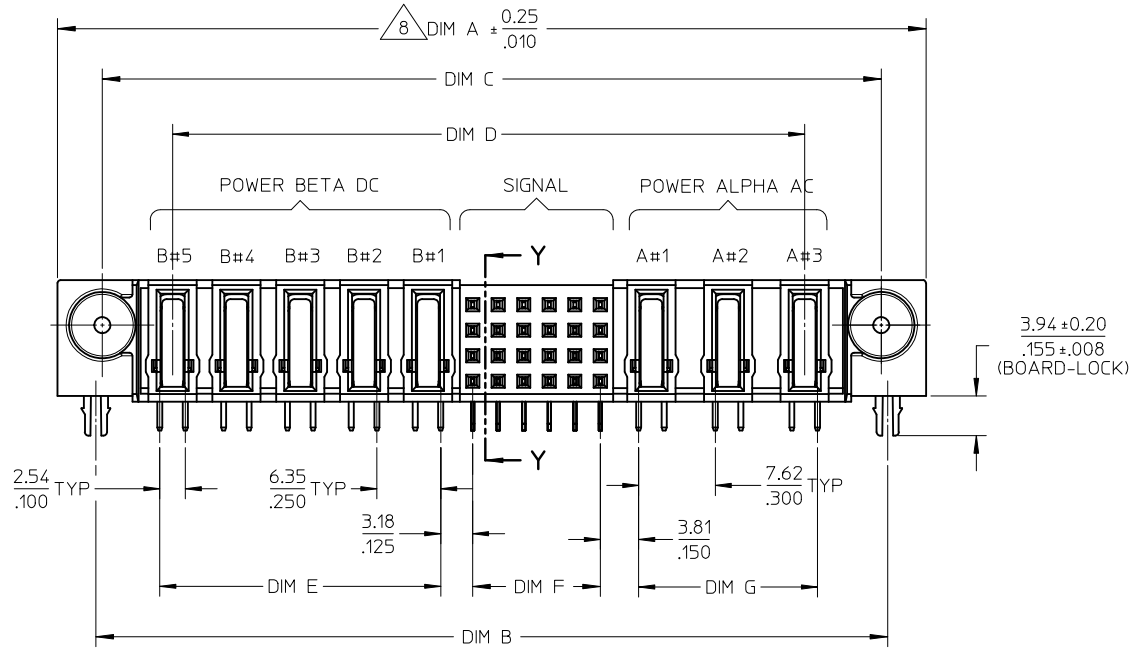


ISOMETRIC VIEW  
5P(DC)-24S-3P(AC) FOR  
ILLUSTRATION ONLY



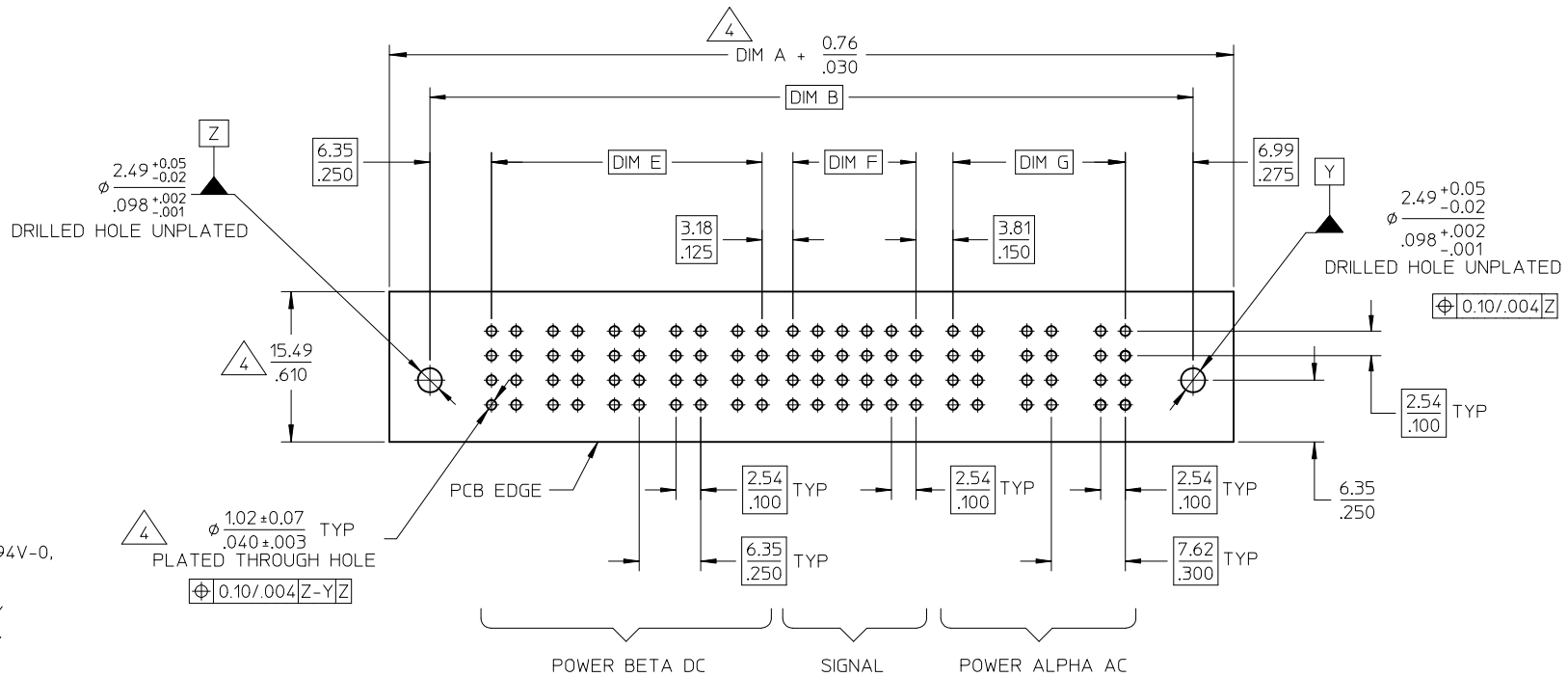
SECTION Y-Y

UPDATE VIEWS IEC NO: S2011-0093 DRWN:SKANG CHKD:ATSEE APPR:MLONG	2010/08/31	QUALITY SYMBOLS ▽=0 ◁=0
	2010/09/14	
REV	DESCRIPTION	
D1		

GENERAL TOLERANCES (UNLESS SPECIFIED)	mm	INCH
	4 PLACES ± .005	± .005
	3 PLACES ± .013	± .010
	2 PLACES ± 0.25	± .010
	1 PLACE ± 0.25	± .010
	ANGULAR ± 3°	
DRAFT WHERE APPLICABLE MUST REMAIN WITHIN DIMENSIONS		

DIMENSION STYLE MM/IN	
DRAWN BY BHLW	DATE 2002/11/20
CHECKED BY PTLIM	DATE 2002/11/26
APPROVED BY MLONG	DATE 2010/09/16
MATERIAL NO. SEE TABLE	DOCUMENT NO. SD-87664-011

SCALE NTS	DESIGN UNITS METRIC	THIRD ANGLE PROJECTION
TITLE EXTREME POWERPLUS RECEPT P(A)AC-S-P(B)DC CONFIG. R/A, T/H, BOARD-LOCK		
MOLEX INCORPORATED		SHEET NO. 1 OF 3
THIS DRAWING CONTAINS INFORMATION THAT IS PROPRIETARY TO MOLEX INCORPORATED AND SHOULD NOT BE USED WITHOUT WRITTEN PERMISSION		




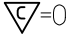
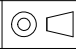
NOTES:

- MATERIALS:-  
HOUSING - LCP, GLASS FILLED, UL94V-0, COLOUR: BLACK.  
SIGNAL TERMINAL - COPPER ALLOY  
POWER TERMINAL - COPPER ALLOY
- FINISH :-  
SIGNAL & POWER CONTACTS  
0.76 MICROMETER MINIMUM GOLD (Au) AT CONTACT AREA AND  
2.54 MICROMETER MINIMUM TIN AT SOLDERTAIL AREA  
OVER 1.27 MICROMETER MINIMUM NICKEL (Ni) UNDERPLATE.
- PRODUCT SPECIFICATION : PS-87663-006.
- COMPONENT STAY AWAY FROM CONNECTOR.
- PCB NOTE FOR DIAMETER 1.02/.040 PLATED HOLE.  
- DRILLED HOLE SIZE IS 1.15/ .0453.  
- PLATE WITH 0.007 / .0003 MINIMUM TIN OVER 0.03/.001 TO 0.08/.003 COPPER PLATING TO ACHIEVE 1.02±0.07/.040±.003 HOLE.
- ALL TERMINAL TIPS ARE DESIGNED WITH EXPOSE BASE COPPER.  
THIS IS CREATED BY FINAL CUTTING PROCESS AFTER PLATING.
- MANUFACTURING LOGO, PART NUMBER AND YEAR-WEEK CODE.
- 5P(DC)-24S-3P(AC) IS SHOWN FOR ILLUSTRATION.  
CONNECTOR CONFIGURATION IS AVAILABLE UP TO 203MM/8INCH.  
PLEASE CONTACT MOLEX SALES PERSONNEL FOR OTHER CONFIGURATION AND OPTION NEEDED.

RECOMMENDED PCB LAYOUT

UPDATE VIEWS IEC NO: S2011-0093 DRWN:SKANG 2010/08/31 CHKD:ATSEE 2010/09/14 APPR:MLONG 2010/09/24	QUALITY SYMBOLS ▽=0 ◻=0	GENERAL TOLERANCES (UNLESS SPECIFIED)		DIMENSION STYLE MM/IN		SCALE NTS	DESIGN UNITS METRIC	THIRD ANGLE PROJECTION	
		4 PLACES ± --- ± ---	mm INCH	DRAWN BY BHLW	DATE 2002/11/20	TITLE EXTREME POWERPLUS RECEPT P(A)AC-S-P(B)DC CONFIG. R/A, T/H, BOARD-LOCK			
		3 PLACES ± --- ± .005		CHECKED BY PTLIM	DATE 2002/11/26	MOLEX INCORPORATED			
		2 PLACES ± 0.13 ± .010		APPROVED BY MLONG	DATE 2010/09/16	DOCUMENT NO. SD-87664-011	SHEET NO. 2 OF 3		
		1 PLACE ± 0.25 ± ---		MATERIAL NO. SEE TABLE		THIS DRAWING CONTAINS INFORMATION THAT IS PROPRIETARY TO MOLEX INCORPORATED AND SHOULD NOT BE USED WITHOUT WRITTEN PERMISSION			
		ANGULAR ± 3 °		DRAFT WHERE APPLICABLE MUST REMAIN WITHIN DIMENSIONS					

PART NUMBER	P-S-P CONFIGURATION			DIM A	DIM B	DIM C	DIM D	DIM E	DIM F	DIM G	RECESSED POWER PIN LOCATION		PACKAGING
	POWER BETA DC	SIGNAL	POWER ALPHA AC								A	B	
87664-2000	5	24	3	86.36 3.400	78.74 3.100	77.47 3.050	62.88 2.475	27.94 1.100	12.70 .500	17.78 .700	A 2, 3 B 1, 2, 3, 4, 5	TRAY	
87664-2001	6	24	3	92.71 3.650	85.09 3.350	83.82 3.300	69.23 2.725	34.29 1.350	12.70 .500	17.78 .700	A 2, 3 B 1, 2, 3, 4, 5, 6	TRAY	

<b>UPDATE VIEWS</b> EC NO: S2011-0093 DRWN:SKANG CHKD:ATSEE APPR:MLONG	2010/08/31 2010/09/14 2010/09/24	DESCRIPTION REV	<b>QUALITY SYMBOLS</b>  = 0  = 0.05	<b>GENERAL TOLERANCES (UNLESS SPECIFIED)</b>		<b>DIMENSION STYLE</b> <b>MM/IN</b>		<b>SCALE</b> NTS	<b>DESIGN UNITS</b> METRIC	 <b>THIRD ANGLE PROJECTION</b>
				DRAWN BY BHLW	DATE 2002/11/20	<b>TITLE</b> EXTREME POWERPLUS RECEPT P(A)AC-S-P(B)DC CONFIG. R/A, T/H, BOARD-LOCK				
				CHECKED BY PTLIM	DATE 2002/11/26					
				APPROVED BY MLONG	DATE 2010/09/16	MATERIAL NO. <b>SEE TABLE</b>		DOCUMENT NO. SD-87664-011		SHEET NO. 3 OF 3
		DRAFT WHERE APPLICABLE MUST REMAIN WITHIN DIMENSIONS	THIS DRAWING CONTAINS INFORMATION THAT IS PROPRIETARY TO MOLEX INCORPORATED AND SHOULD NOT BE USED WITHOUT WRITTEN PERMISSION							

E

D

C

B

A

F

E

D

C

B

A