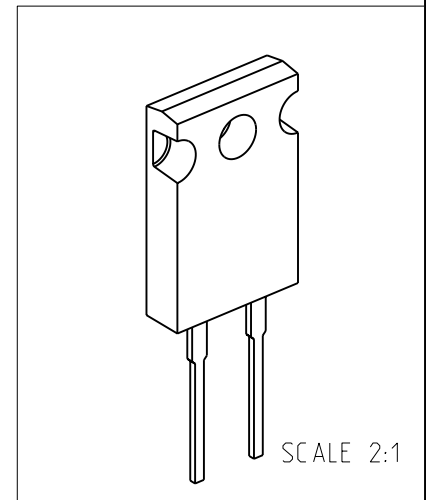
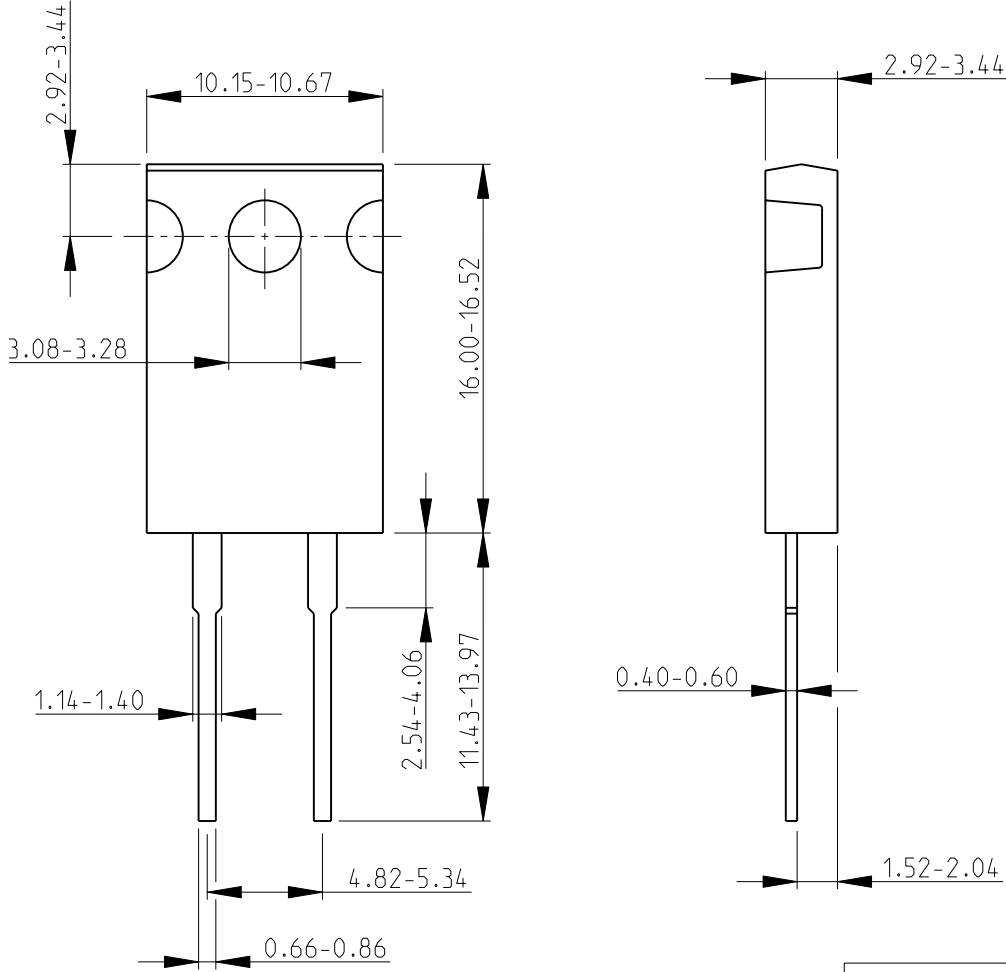


LOC E	DIST B	REVISIONS			
P	LTR	DESCRIPTION	DATE	DWN	APVD
	BA	NEW RELEASE	18-NOV-08	SM	St.P

FOR FURTHER INFORMATION SEE DATA SHEET FOR
MPT SERIES-THICK FILM POWER RESISTORS



RoHS Compliant

2008

RELEASED FOR PUBLICATION

THIS DRAWING IS UNPUBLISHED.

© COPYRIGHT 2008 BY TYCO ELECTRONICS CORPORATION. ALL RIGHTS RESERVED.

DIMENSIONS: mm	DWN SUBHASH.M	18-NOV-08	MATERIAL	-	FINISH	-				
	CHK PRAKASH.S	18-NOV-08	Tyco Electronics Tyco Electronics Corporation Dorcan, Swindon, SN3 5HH							
TOLERANCES UNLESS OTHERWISE SPECIFIED:	APVD STEPHEN.P	18-NOV-08								
	0 PLC ±0.2	PRODUCT SPEC	NAME THICK FILM POWER RESISTORS SERIES MPT30							
1 PLC ±0.1	APPLICATION SPEC									
2 PLC ±-	WEIGHT	-	SIZE	A 4	CAGE CODE	00779	DRAWING NO	©-1879356	RESTRICTED TO	-
3 PLC ±-	CUSTOMER DRAWING		SCALE		3:1	SHEET		1 OF 1	REV	BA
4 PLC ±-			AMP 1469-35 REV 31MAR2000							
ANGLES ±5°										

