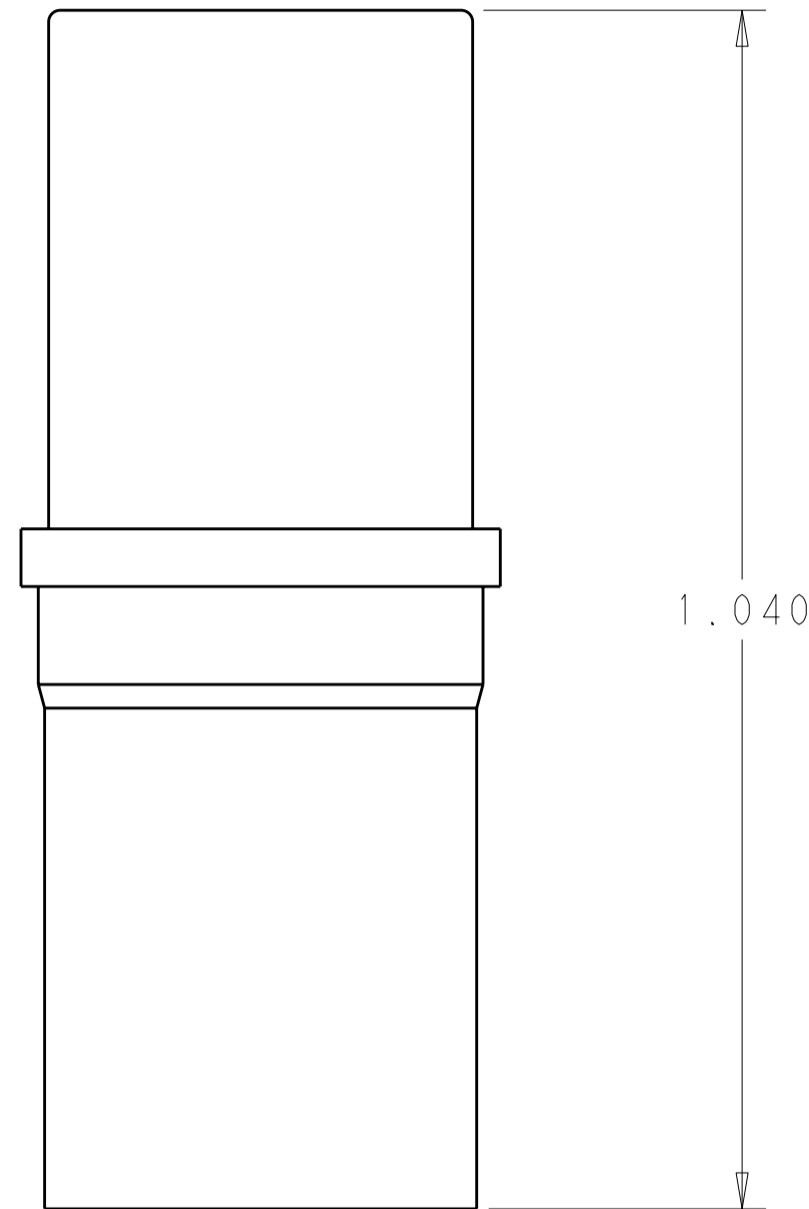


THIS DRAWING IS UNPUBLISHED. RELEASED FOR PUBLICATION 20
 © COPYRIGHT 20 BY - ALL RIGHTS RESERVED.

LOC		DIST		REVISIONS			
P	LTR	DESCRIPTION	DATE	DWN	APVD		
	A	INITIAL RELEASE	02MAR2012	BM	DO		



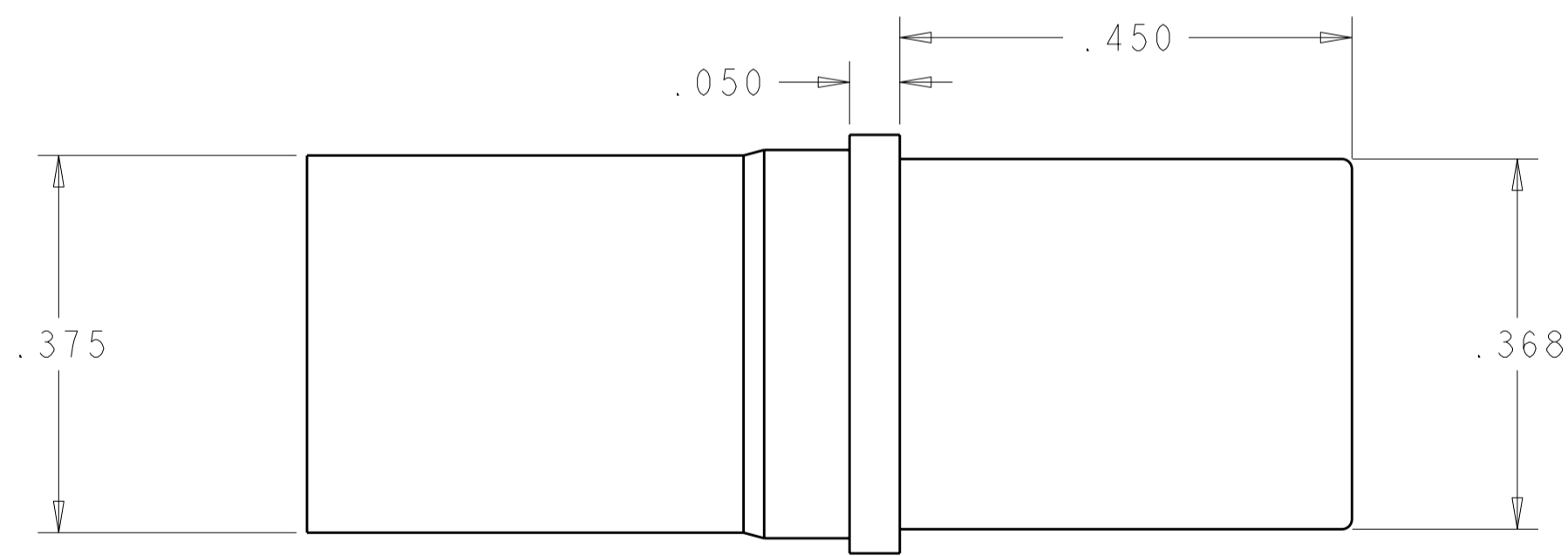
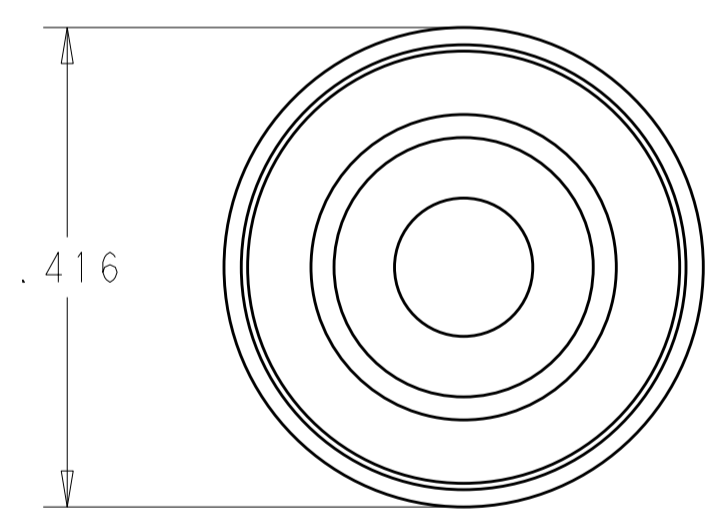
1. PART NUMBER CHANGES AND/OR DESIGN CHANGES AFFECTING ITEM INTERCHANGEABILITY REQUIRE PRIOR TYCO ELECTRONICS APPROVAL AND AUTHORIZATION BY REVISION TO THIS DRAWING.

2. ITEMS PROVIDED TO THIS SPECIFICATION TO BE PERMANENTLY IDENTIFIED PER THE FOLLOWING IDENTIFIER:

TYCO ELECTRONICS P/N: XXXXXXXX-X
 DATE CODE (e.g. 0225): YEAR 02 WEEK 25

3. MATERIAL: COPPER ALLOY.

4. FINISH: SILVER PLATED, .000100 MIN THICK OVER NICKEL, .000050 MIN THICK.



2085999-1
 PART NUMBER

THIS DRAWING IS A CONTROLLED DOCUMENT.		DWN B. MATTHEWS 02MAR2012	TE Connectivity	
DIMENSIONS: INCHES		CHK D. ORRIS 02MAR2012		
TOLERANCES UNLESS OTHERWISE SPECIFIED:		APVD D. ORRIS 02MAR2012	NAME CONTACT, SOCKET, SIZE 1/4 INCH WITH #6 AWG CRIMP BARREL, SINGLE CROWN	
0 PLC ± 1 PLC ± 2 PLC ±.02 3 PLC ±.010 4 PLC ± ANGLES ±.5° FINISH		PRODUCT SPEC -	SIZE A200779	
MATERIAL		APPLICATION SPEC -	DRAWING NO C-2085999	RESTRICTED TO -
3		WEIGHT -	SCALE 6:1 SHEET 1 OF 1 REV A	
4		CUSTOMER DRAWING		