

AMPHENOL P/N:

AMPHENOL P/N	PCB THICKNESS DIM "T"	DIM 'A'	DIM 'B'
HE11-RDA-110-3	.062 [1.57]	.053 [1.35]	.053±.01 [1.35±0.25mm]
HE11-RDA-110-3-C	.062 [1.57]	.053 [1.35]	.053±.01 [1.35±0.25mm]
HE11-RDA-110-3-CT	.062 [1.57]	.053 [1.35]	.053±.01 [1.35±0.25mm]
HE11-RDA-110-4	.093 [2.36]	.081 [2.05]	.064±.01 [1.62±0.25mm]
HE11-RDA-110-4-C	.093 [2.36]	.081 [2.05]	.064±.01 [1.62±0.25mm]
HE11-RDA-110-4-CT	.093 [2.36]	.081 [2.05]	.064±.01 [1.62±0.25mm]

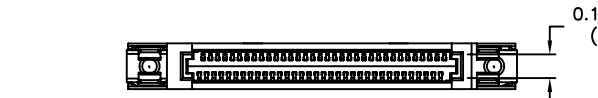
PART NUMBER SYSTEM:

HE11-RDA-110-X-XX

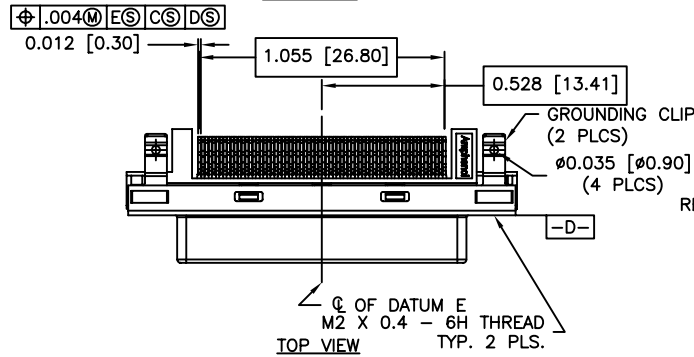
OPTIONS:
 3= FOR 0.062" THICK PCB
 4= FOR 0.093" THICK PCB

BLANK= WITHOUT PLUG & WITH TUBE PACKAGING;
 C = WITH PLUG & TUBE PACKAGING;
 CT= WITH PLUG & TAPE & REEL PACKAGING

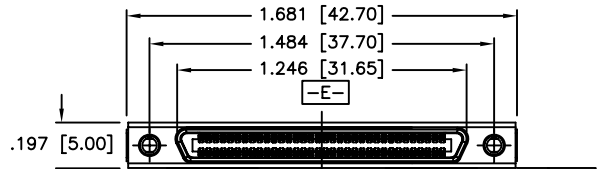
REVISIONS			
REV.	DESCRIPTION	DATE	APPROVED
A	PROPOSAL DRAWING	MAY 30/05	LJ
B	ECN E07376	DEC 22/03	LCHAN
C	CHANGE DIM FROM 0.031(0.80) TO 0.0315(0.80)	MAY 18/09	AG



BACK VIEW



TOP VIEW



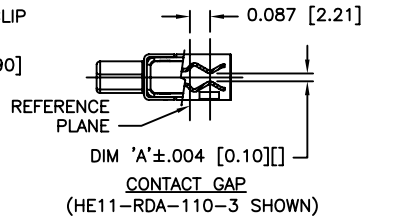
FRONT VIEW
(HE11-RDA-110-3 SHOWN)

NOTE:
 PLASTIC HOUSING: GLASS FILLED THERMOPLASTIC
 FLAMMABILITY RATING UL 94V-0.
 COLOUR: BLACK

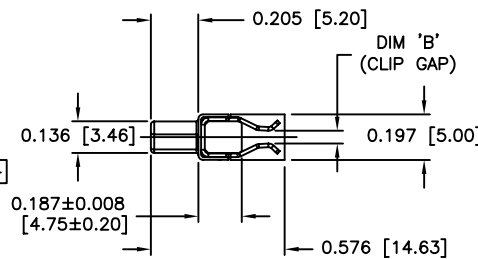
CONTACTS: PHOSPHOR BRONZE
 30 u" [0.76 MICRONS] GOLD OVER
 50 u" [1.27 MICRONS] NICKEL.
 150 u"~ 300u" [3.75~7.50 MICRONS]
 MATTE TIN OVER NICKEL IN SOLDER TAIL AREA.

SHELL: STEEL, NICKEL PLATED.
 GROUNDING CLIP: COPPER ALLOY , 150u" (3.75 MICRONS)
 MATTE TIN OVER 50u" (1.27 MICRONS) NICKEL

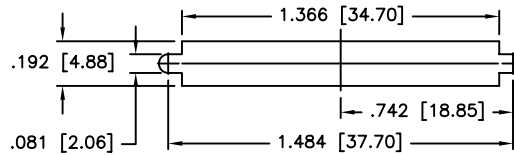
REFLOW: 6u" (0.15 MICRONS) MIN. SOLDER PASTE ON
 P.C. BOARD REQUIRED FOR REFLOW PROCESS.



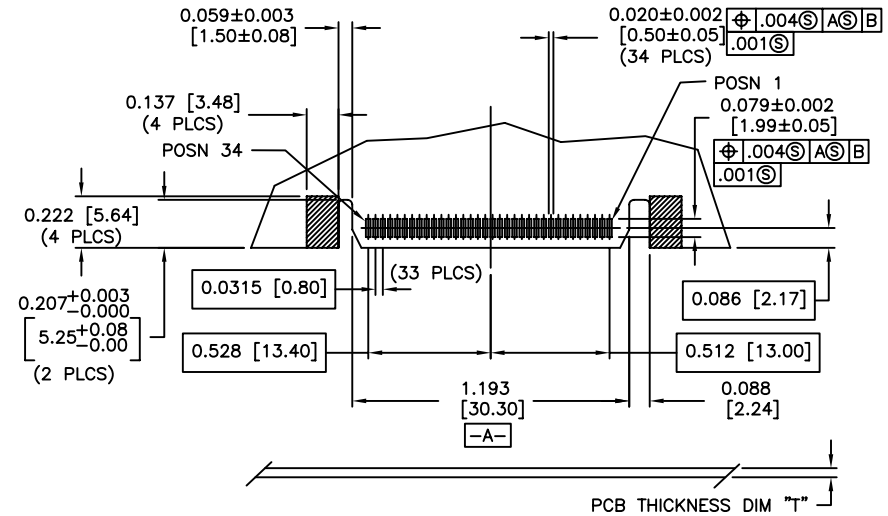
CONTACT GAP
(HE11-RDA-110-3 SHOWN)



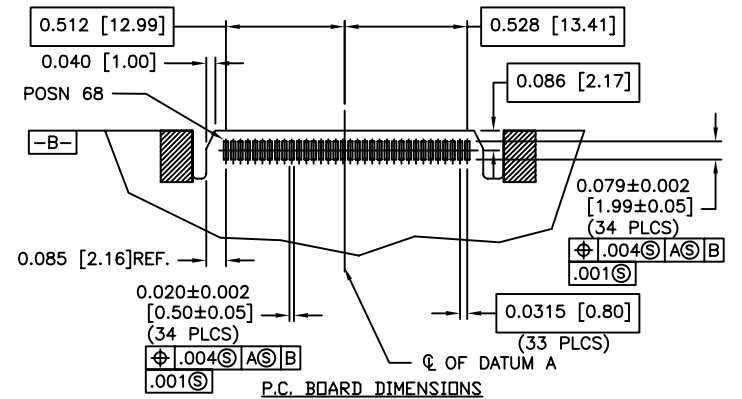
SIDE VIEW
(HE11-RDA-110-3 SHOWN)



PANEL CUTOUT DIMENSIONS



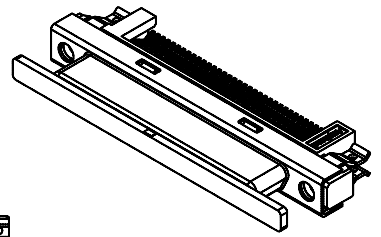
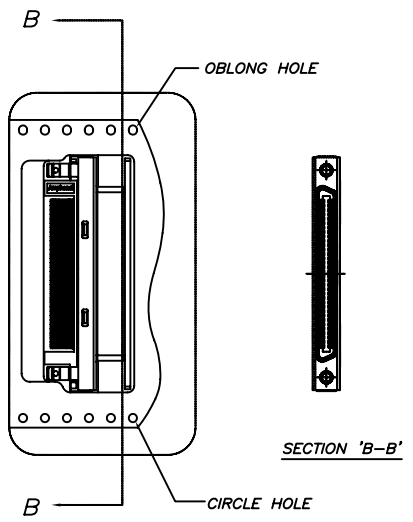
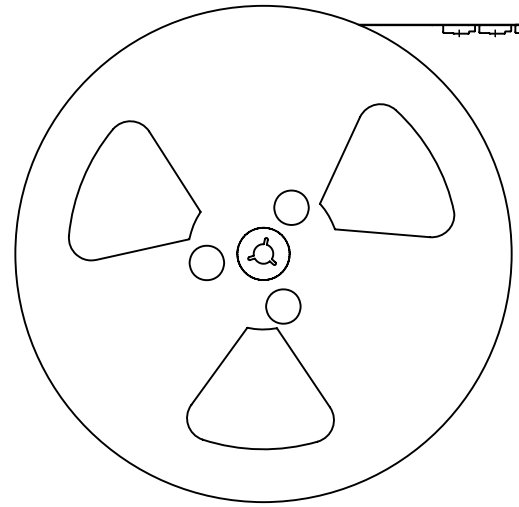
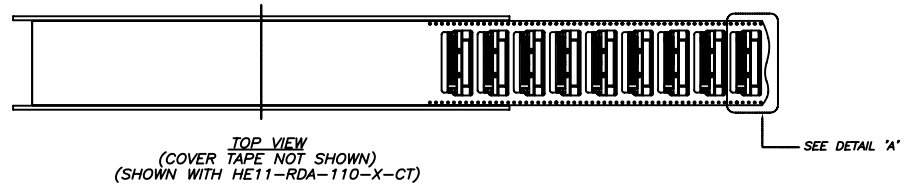
P.C. BOARD DIMENSIONS



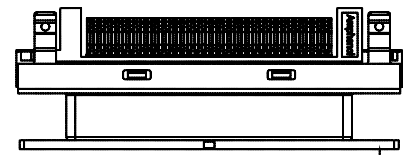
UNLESS OTHERWISE SPECIFIED DIMENSIONS ARE IN INCHES		APPROVALS	DATE	Amphenol Canada Corp.
DRAWN		LCHAN	MAY 30.05	
DESIGNED		K.LAMBIE	MAY 30.05	VHDCI STRADDLE MOUNT RECEPTACLE, NO SCREWLOCKS, SHIELDED WITH NO EMI TABS RoHS COMPLIANT
MATERIAL AND FINISH		SEE NOTES		
REF.	ECN E07376	REV APPD		REV. C
DATE	03554	DATE		SCALE 2 = 1
				PROJECT RDA SHEET 1 OF 2

DO NOT SCALE DRAWING
 THIS DOCUMENT CONTAINS PROPRIETARY INFORMATION AND SUCH INFORMATION MAY NOT BE DISCLOSED TO OTHERS FOR ANY PURPOSE
 OR USED FOR MANUFACTURING PURPOSES WITHOUT PERMISSION FROM AMPHENOL CANADA CORP.

REVISIONS			
REV.	DESCRIPTION	DATE	APPROVED
A	PROPOSAL DRAWING	MAY 30/05	LJ
B	ECN E07376	Oct 22/03	LCHAN
C	CHANGE DIM FROM 0.031(0.80) TO 0.0315(0.80)	MAY 18/09	AG



FINISHED CONNECTOR
(HE11-RDA-110-X-CX SHOWN)



PLUG COVER TO BE
REMOVED AFTER
CONNECTOR SOLDERED
INTO THE PCB



PACKAGING NOTES:

- REEL DETAILS:
 - O.D.: 330.00 [12.992].
 - THICKNESS: 56.8 [2.236].
 - CONNECTORS PER REEL: 496.
- TAPE & REEL PACKAGING IS IN COMPLIANCE WITH EIA 481.

UNLESS OTHERWISE SPECIFIED DIMENSIONS ARE IN INCHES	APPROVALS	DATE	Amphenol Canada Corp.	
	DRAWN L.CHAN	MAY 30.05	TITLE	VHDCI STRADDLE MOUNT RECEPTACLE, NO SCREWLOCKS, SHIELDED WITH NO EMI TABS RoHS COMPLIANT
MATERIAL AND FINISH SEE NOTES	CHECKED K.LAMBIE	MAY 30.05	SIZE B	DRG NO P-HE11-RDA-110-X-XX
	IN APP		SCALE 2 = 1	PROJECT RDA
REF. ECN E07376	E APP		REV. C	
CODE IDENT. NO. 03554	DRG APP		SHEET 2 OF 2	

DO NOT SCALE DRAWING
OR USED FOR MANUFACTURING PURPOSES WITHOUT PERMISSION FROM AMPHENOL CANADA CORP.