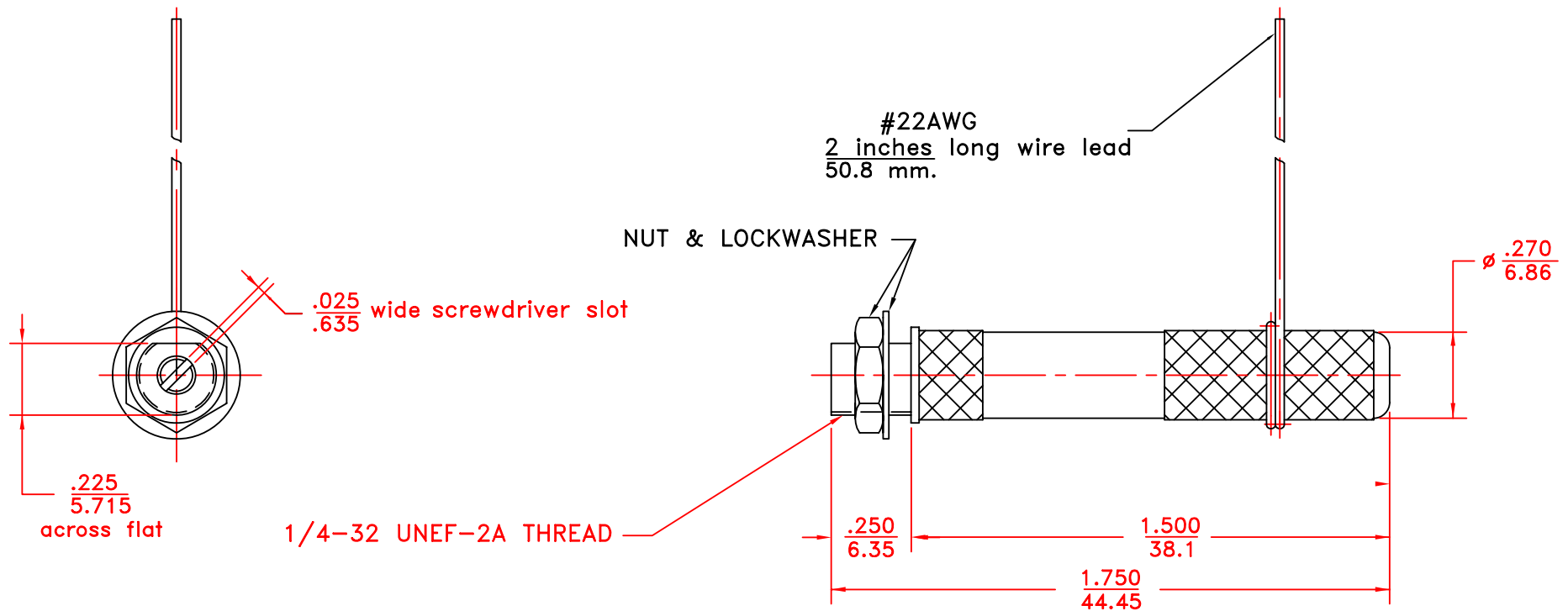


REV	DESCRIPTION	DATE	APP
00	NEW DRAWING	06/08/14	D.D.



NOTES:

1. Capacitance: $C_{max} \geq 10\text{pF}$
2. Capacitance: $C_{min} \leq 1.0\text{ pF}$
3. Working voltage: 3.0 kVDC
4. Withstanding voltage: 6 kVDC
5. Quality factor "Q" @ 25 MHz over 1500
6. Torque .5 to 1.0 oz-in
7. Construction: 40 psi sealed, non-magnetic
8. Dimensions: in/mm
9. Operation temperature: -55°C up to 125°C .
10. TC Temperature coefficient 0 ± 300 (ppm/ $^{\circ}\text{C}$)
11. Current rating: 10 amps.
12. Rotational life: 10,000 turns.

TOLERANCES: (EXCEPT AS NOTED)		SPRAGUE GOODMAN ELECTRONICS INC. 1700 SHAMES DRIVE WESTBURY, NY 11590		
DECIMAL: ± 0.002 in ± 0.051 mm	MATERIAL:	SCALE: 2:1	DRAWN BY: R. LEVIN	
			APPROVED: D. DITLYA	
FRACTIONAL: 1/64	TITLE: OUTLINE DWG SGNMNC1103		USED FOR:	
ANGULAR: 1°	DATE: 06/08/14	DRAWING NUMBER SGNMNC1103		REV. 00