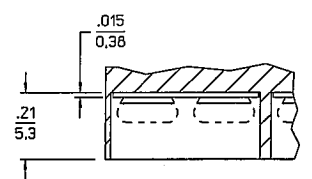
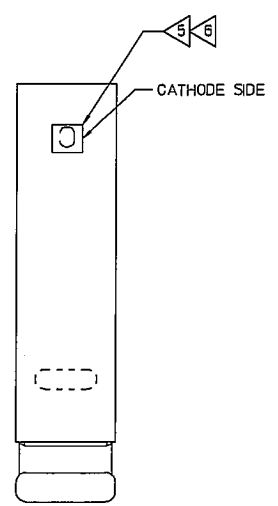
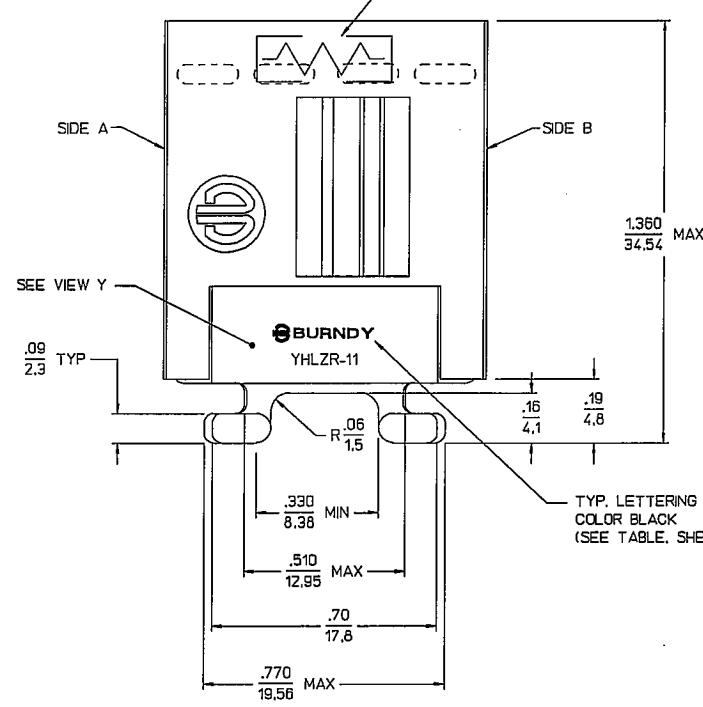
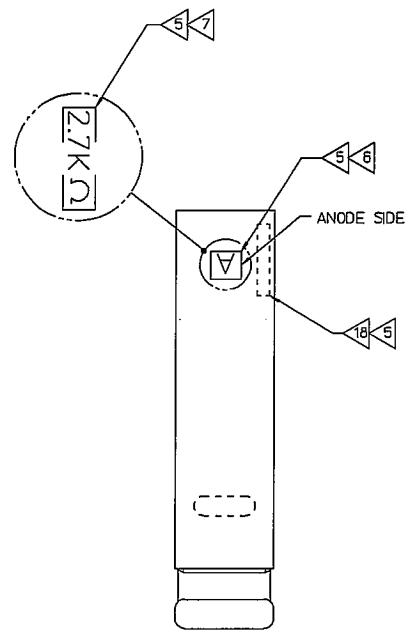
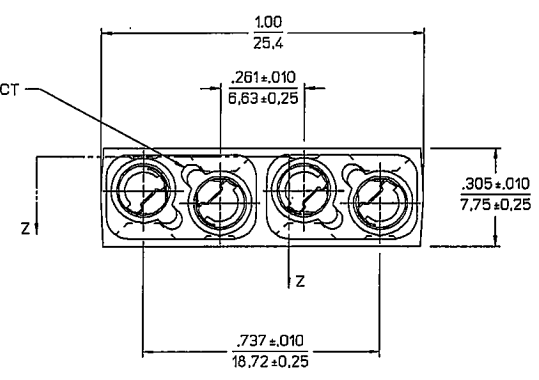


VIEW Y  
SEE TABLES (SHEET 2)  
FOR COMPONENT



SECTION Z-Z



TYP. SYMBOL IN THIS  
AREA BOTH SIDES  
(SEE TABLES, SHEET 2)

TYP. LETTERING  
COLOR BLACK  
(SEE TABLE, SHEET 2)

ENGINEERING REQUIREMENTS:

MATERIAL:

BODY: ZYTEL NO.151L OR EQUIVALENT SELF-EXTINGUISHING  
ASTM D635-56T (NYLON, MIL-P-20693) AND FUNGUS RESISTANT.

SOCKET CONTACT: BRASS (00-B-626), GOLD PLATED .000030  
(0.762 MICRONS) MIN. PER MIL-G-45204.

RETAINING SPRING, CONTACT SPRING, BUSSING STRIP: BERYLLIUM  
COPPER (00-C-533 ALLOY 172) GOLD PLATED .000030  
(0.762 MICRONS) MIN. PER MIL-G-45204.

PERFORMANCE CHARACTERISTICS:

CURRENT RATING: 20 AMPS FOR MODULE.

DRY CIRCUIT RATING: 10 MICROVOLTS MIN. OPEN CIRCUIT VOLTAGE.

NOTES: UNLESS OTHERWISE SPECIFIED,

1. INTERPRET THIS DRAWING IN ACCORDANCE WITH ANSI Y14.5M-1982.
2. MODULES FOR USE WITH ANY \_\_\_\_\_ TYPE TRACK  
(REF. DWGS. SE66604 AND SE66784).
3. ALTERNATE SEMI-CONDUCTOR: JAN IN 4247.
4. COMPLETED ASSEMBLIES SHALL BE TESTED 100% FOR INTEGRITY OF  
ELECTRICAL CONNECTIONS AND PROPER DIODE POLARITY PER FCI  
QUALITY CONTROL INSTRUCTION SHEET. YHLZR- TO BE TESTED FOR  
CONTINUITY ONLY.
5. MARKINGS TO BE .062 (1.57) MIN. TALL WITH WHITE OPAQUE INK.
6. STAMPING FOR YHLZD- (DIODES) SEE TABLE, SHEET 2.
7. STAMPING FOR YHLZR- (RESISTOR) GIVEN RESISTOR VALUE, SEE  
TABLE, SHEET 2.
- NOTE 8 REMOVED.
9. AN ALTERNATE RESISTOR RNC60J3001BS (3K ±0.1% 1/4W),  
RNC60E3001BS (3.01K ±0.1% 1/4W), OR RNC60J3011BS (3.01K ±0.1% 1/4W)  
MAY BE SUPPLIED. CONNECTOR MARKINGS WILL REMAIN THE SAME.
- NOTE 10 REMOVED.
11. THE BAND OF THE DIODE SHALL BE ON THE SAME SIDE AS THE  
'C' (CATHODE).
12. SUBSTITUTION OF A SUPERIOR (LOWER RESISTOR TOLERANCE  
LEVEL AND LOWER FAILURE RATE LEVEL) RESISTOR PERMISSIBLE  
AS LONG AS REMAINDER OF RESISTOR PART NO. IS IDENTICAL.  
(EX: RLR20C2702FS IN PLACE OF RLR20C2702GR.  
CONNECTOR MARKINGS WILL REMAIN THE SAME.
13. PART IS OBSOLETE. USE YHLZD-33.
14. YHLZD-32 IS PREFERRED FOR NEW DESIGN.
15. PART IS NO LONGER AVAILABLE. NO ALTERNATE EXISTS.
16. PARTS NOT RECOMMENDED FOR NEW DESIGN.
17. YHLZR34 AND YHLZR35 ONLY: THE PARTS ARE ELECTRO-STATIC  
DISCHARGE SENSITIVE (ESDS) AND MAY NOT MAINTAIN THEIR  
RESISTOR TOLERANCES DURING USE ON AIRCRAFT.
18. DATE CODE PER FCI SPECIFICATION L5385, METHOD A2,  
LOCATED APPROX. AS SHOWN.
19. ALTERNATE SEMI-CONDUCTOR: JANTXIN6122A.
20. HIGHER ASSURANCE LEVEL PRODUCT IS SUBSTITUTABLE FOR A  
LOWER ASSURANCE LEVEL PRODUCT. ASSURANCE LEVELS ARE AS  
FOLLOWS FROM LOWEST TO HIGHEST: JAN, JANTX, JANTXV & JANS.

SUPERSEDES: SD73529 REV.42  
SD69479 REV.20

- SEE SHEET 2 -

51	REVISED PRINT PER ECN4847	SDH	SDH	03-29-01
50	REVISED PRINT PER ECN4374	AGB	TMN	06-04-99
49	REVISED PRINT PER ECN4341	SAF	TMN	04-08-98
48	SH 2: ADDED CAT. NO. YHLZD-40, YHLZD-41, YHLZR-49 & DESC.	JW	CL	02-27-95
47	SH 1: NO CHANGE SH 2: CHGD CAT.# FROM: -47 TO: -45 (ECN15003)	COP	FDH	02-10-94
46	SH 1: NO CHANGE SH 2: ADDED CAT. NO. YHLZR-48 (ECN2405)	VCE	VCE	12-02-93
45	SH 1: NO CHANGE SH 2: ADDED CAT. NO. YHLZR-47 (ECN2349)	GJD	GJD	10-04-93
44	ADDED RNC60J3011BS (3.01K ±0.1% 1/4W) TO NOTE 9 (ECN2319)	DDF	JW	8-20-93
43	SH 1: DIM. #8 WAS .15, #1 WAS .19, SH 1 AND 2 REDRAWN ON CAD (ECN1906)	DLB	VCE	2-27-92
REV	REVISION DESCRIPTION	BY	CHKD	DATE

TERMINAL BLOCK MODULE ASSEMBLY

CAT NO: YHLZ- (SEE TABLE)

DATE NO 69922 (SEE: D)

UNLESS OTHERWISE SPECIFIED	INCH (MM)
THIRD ANGLE PROJECTION	
TOLERANCES	
NO. OF PLACES	INCH (MM)
ONE PLACE	±.1 (.025)
TWO PLACES	±.02 (.05)
THREE PLACES	±.01 (.025)
ANGLES	

**SOURIAU**  
Connection Technology

**CUSTOMER**

www.fcimed.com

APPROVAL	DRAWN NO	01-04-92
CHKD	LAS	01-07-92
DSGN	JB	01-07-92
INFO	KB	02-11-93
DR	SKK	03-03-93
DRAWING NO.	REV	
SE73529	DE	
SHEET 1 OF 2		

ME10

THIS DRAWING IS UNLESS OTHERWISE SPECIFIED TO BE IN ACCORDANCE WITH THE CUSTOMER'S DRAWING. THE CUSTOMER'S DRAWING SHALL BE CONSULTED FOR THE LATEST REVISION.

YHLZR-...						YHLZR-... (CONT'D)						YHLZD-...							
CATALOG NUMBER	INTERNAL RESISTOR	COLOR		FRONT/REAR	MARKING	CATALOG NUMBER	INTERNAL RESISTOR	COLOR		FRONT/REAR	MARKING	CATALOG NUMBER	SEMI-CONDUCTOR (DIODE)	INTERNAL RESISTOR	COLOR		FRONT/REAR	MARKING	
		SIDE A	SIDE B					SIDE A	SIDE B						SIDE A	SIDE B			SIDE A
YHLZR-1	RLR20C2702GR 27K ±2% 1/2W	BLUE	NATURAL	—	27K Ω	YHLZR-40	RLR20C3650FR .365K ±1% 1/2W	BROWN	BROWN	—	.365K Ω	YHLZD-1	JAN IN3613	RLR32C1500GR .15K ±2% 1W	BLUE	ORANGE	—	+	
YHLZR-2	RLR20C4301GR 4.3K ±2% 1/2W	BLUE	BLACK	—	4.3K Ω	YHLZR-41	RLR07C2003FR 200K ±1% 1/4W	BROWN	BROWN	—	200K Ω	YHLZD-2	JAN IN6126 OR LS10318-2	RLR32C1500GR .15K ±2% 1W	RED	RED	—	—	
YHLZR-3	RLR20C5801GR 5.8K ±2% 1/2W	BLACK	BLACK	—	5.8K Ω	YHLZR-42	RLR20C1000FS .100K ±1% 1/2W	BROWN	BROWN	—	.100K Ω	YHLZD-3	JAN IN6130 OR LS10318-3	RLR32C1500GR .15K ±2% 1W	GREEN	GREEN	—	—	
YHLZR-4	RLR20C6201GR 6.2K ±2% 1/2W	YELLOW	YELLOW	—	6.2K Ω	YHLZR-43	RLR07C4702GR 47K ±2% 1/4W	BROWN	BROWN	—	47K Ω	YHLZD-8	JAN IN3613	—	BLACK	WHITE (NATURAL)	—	+	
YHLZR-5	RLR20C9101GR 9.1K ±2% 1/2W	BLACK	ORANGE	—	9.1K Ω	YHLZR-44	RNC60H2003FS 200K ±1% 1/4W	BROWN	BROWN	—	200K Ω	YHLZD-9	JAN IN3613	—	RED	RED	—	A C	
YHLZR-6	RLR07C10R0GR .01K ±2% 1/4W	YELLOW	BLACK	—	.01K Ω	YHLZR-45	RWR81S1500GR .15K ±2% 1W	BROWN	BROWN	—	.15K Ω	YHLZD-11	JAN IN3022	—	RED	GREEN	—	A C	
YHLZR-7	RLR07C1200GS .12K ±5% 1/4W	YELLOW	GREEN	—	.12K Ω	YHLZR-48	RWR80S1001FR 10K ±1% 2W	BROWN	BROWN	—	1K Ω	YHLZD-14	R4615	—	RED	BLUE	—	A C	
YHLZR-8	RNC60K5112FR 51.1K ±1% 1/4W	YELLOW	BLUE	—	51.1K Ω	YHLZR-49	RNC60J2212FM 22.1K ±1% 1/4W	BROWN	BROWN	—	22.1K Ω	YHLZD-15	3SM6 OR IN 5552	—	RED	NATURAL	—	A C	
YHLZR-9	RLR20C1202GR 12K ±2% 1/2W 0% FAILURE AT 50% RATED W/1000 HOURS	YELLOW	RED	—	12K Ω	YHLZR-50	RLR07C1240FM 0.124K ±1% 1/4W	BROWN	BROWN	—	0.124K Ω	YHLZD-23	UZ1325	—	GREEN	BLUE	—	A C	
YHLZR-10	RLR07C102FS 10K ±1% 1/4W 001% FAILURE AT 50% RATED W/1000 HOURS	YELLOW	NATURAL	—	10K Ω	YHLZR-51	RN60D4120F 0.412K ±1% 1/4W	BROWN	BROWN	—	0.412K Ω	YHLZD-24	UD2860	—	GREEN	ORANGE	—	A C	
YHLZR-11	RLR20C2402GR 24K ±2% 1/2W	BROWN	BROWN	—	24K Ω							YHLZD-26	IN5061	—	GREEN	BLACK	—	A C	
YHLZR-13	RLR07C2400GR .24K ±2% 1/4W	BROWN	BROWN	—	.24K Ω							YHLZD-28	JANTX IN4965	—	BROWN	BLACK	—	A C	
YHLZR-14A	RLR20C1001GR 1K ±2% 1/2W	GREEN	GREEN	—	1K Ω							YHLZD-29	JANTX IN5551	—	BROWN	YELLOW	—	A C	
YHLZR-15A	RLR20C2701GR 2.7K ±2% 1/2W	BLACK	RED	—	2.7K Ω							YHLZD-30	JANTX IN5618	—	BROWN	ORANGE	—	A C	
YHLZR-16	RLR20C71R5FR .0715K ±1% 1/2W	RED	ORANGE	—	.0715K Ω							YHLZD-31	JANTX IN4971	—	GREEN	YELLOW	—	A C	
YHLZR-17	RWR80S2001FR 2.0K ±1% 2W	GREEN	BROWN	—	2K Ω							YHLZD-32	JANTX IN3613	—	BLUE	YELLOW	—	A C	
YHLZR-18	RLR20C4301GR 4.3K ±2% 1/2W	BROWN	BROWN	—	4.3K Ω							YHLZD-33	JANTX IN5552	—	RED	YELLOW	—	A C	
YHLZR-19	RLR20C2700FR .27K ±1% 1/2W	BROWN	BROWN	—	.27K Ω							YHLZD-34	JANTX IN5553	—	RED	BROWN	—	A C	
YHLZR-20	RLR20C8200FR .82K ±1% 1/2W	BROWN	BROWN	—	.82K Ω							YHLZD-35	JANTX IN4148-1	—	RED	BLACK	—	A C	
YHLZR-21	RLR07C2322FR 23.2K ±1% 1/4W	BROWN	BROWN	—	23.2K Ω							YHLZD-38	JANTX IN4972	—	BLUE	BLUE	—	A C	
YHLZR-22	RLR07C2151FR 2.15K ±1% 1/4W	BROWN	BROWN	—	2.15K Ω							YHLZD-39	JANTX IN5467	—	NATURAL	RED	—	A C	
YHLZR-23	RLR07C1691FR 1.69K ±1% 1/4W	BROWN	BROWN	—	1.69K Ω							YHLZD-40	JANTX IN6122	—	NATURAL	GREEN	—	A C	
YHLZR-24	RLR07C7500FR .75K ±1% 1/4W	BROWN	BROWN	—	.75K Ω							YHLZD-41	JANTX IN6158	—	NATURAL	BLUE	—	A C	
YHLZR-25	RLR07C4870FS .487K ±1% 1/4W	BROWN	BROWN	—	.487K Ω														
YHLZR-26	RLR07C3160FR .316K ±1% 1/4W	BROWN	BROWN	—	.316K Ω														
YHLZR-27	RLR07C2320FR .232K ±1% 1/4W	BROWN	BROWN	—	.232K Ω														
YHLZR-28	RNC55H1601DR 1.6K ±0.5% 1/10W	BROWN	BROWN	—	1.6K Ω														
YHLZR-29	RLR07C1501FR 1.5K ±1% 1/4W	BROWN	BROWN	—	1.5K Ω														
YHLZR-30	RNC60H3001DR 3K ±0.5% 1/4W	BROWN	BROWN	—	3K Ω														
YHLZR-31	RLR07C1602GR 16K ±2% 1/4W	BROWN	BROWN	—	16K Ω														
YHLZR-32	RNC55H1003FR 100K ±1% 1/10W	BROWN	BROWN	—	100K Ω														
YHLZR-33	RLR07C1002GR 10K ±2% 1/4W	BROWN	BROWN	—	10K Ω														
YHLZR-34	RNC55J1203BS 120K ±1% 1/10W	BROWN	BROWN	—	120K Ω														
YHLZR-35	RNC60H8062BS 80.6K ±1% 1/4W	BROWN	BROWN	—	80.6K Ω														
YHLZR-36	RLR07C3302JR 33K ±5% 1/4W	BROWN	BROWN	—	33K Ω														
YHLZR-37	RWR80N15R0FS .015K ±1% 2W	BROWN	BROWN	—	.015K Ω														
YHLZR-38	RLR07C4991FS 4.99K ±1% 1/4W	BROWN	BROWN	—	4.99K Ω														
YHLZR-39	RLR20C3320FR .332K ±1% 1/2W	BROWN	BROWN	—	.332K Ω														

NOTES: SEE SHEET 1.

BE	REVISED PER ECN6186	SDH	SDH	01-08-04
BD	REVISED PER ECN7740	JRD	SDH	01-08-03
BC	REVISED PER ECN7384	JRD	SDH	07-11-02
BB	REVISED PER ECN5597	JRD	SDH	01-22-02
BA	REVISED PRINT PER ECN5302	JRD	SDH	10-03-01
52	REVISED PRINT PER ECN4848	JRD	SDH	06-29-01
REV	REVISION DESCRIPTION	BY	CHKD	DATE

**TERMINAL BLOCK MODULE ASSEMBLY**  
 CAT NO: YHLZ-... (SEE TABLE)  
 GRADE NO: 69922  
 SIZE: 0

**SOURIAU**  
 Connection Technology

**CUSTOMER**  
 www.focconnect.com

APPROVAL: DRAWN: DET 12-08-02  
 DESGN: ESK 12-10-02  
 INFO: HS 12-10-02  
 DR: MK 12-10-02  
 DRAWING NO: 100-000-000  
 SHEET 2 OF 2

THIS DRAWING IS UNLESS OTHERWISE SPECIFIED TO BE IN ACCORDANCE WITH THE CUSTOMER'S DRAWING. THE CUSTOMER'S DRAWING SHALL BE CONSULTED FOR THE LATEST REVISION.